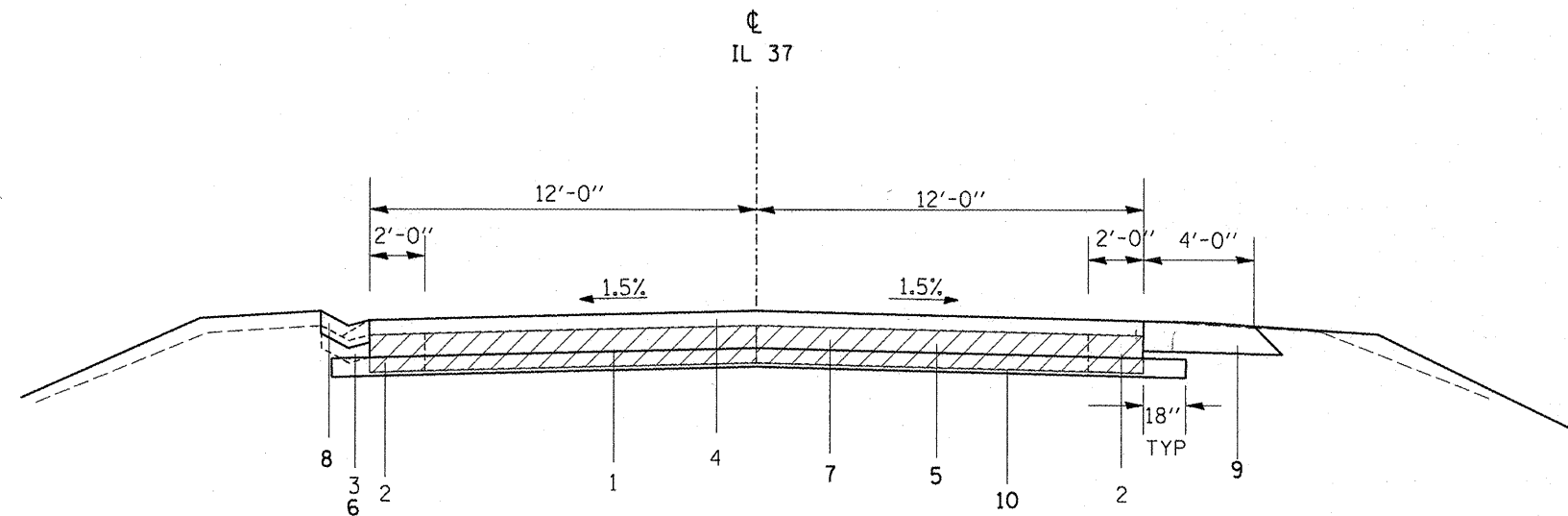


TYPICAL SECTION IL 37 PULASKI CO.



- 1 EXISTING PCC PAVEMENT 9"
- 2 EXISTING WIDENING
- 3 EXISTING CONCRETE GUTTER, TYPE B
- 4 EXISTING RESURFACING APPROX. 4"
- 5 PROPOSED PAVEMENT REMOVAL
- 6 PROPOSED GUTTER REMOVAL
- 7 PROPOSED PCC PAVEMENT 10" (JOINTED)
- 8 PROPOSED CONCRETE GUTTER, TYPE B
- 9 PROPOSED AGGREGATE SHOULDER, TYPE B 8"
- 10 PROPOSED STABILIZED SUB-BASE 4"

TO BE USED:

STA 402+00 TO STA 402+64

**STATE OF ILLINOIS
DEPARTMENT OF TRANSPORTATION**

TYPICAL

FILE NAME =	USER NAME = kranzjc	DESIGNED -	REVISED -	STATE OF ILLINOIS DEPARTMENT OF TRANSPORTATION	TYPICAL	F.A.P. RTE.	SECTION	COUNTY	TOTAL SHEETS	SHEET NO.
as:\pw\work\PW1001\KLANZJC\d0155533\78158	-sht-pln.dgn	DRAWN -	REVISED -			726	(120)I-1	PULASKI	14	5
	PLOT SCALE = 100,0000 ' / IN.	CHECKED -	REVISED -							
	PLOT DATE = 11/28/2009	DATE -	REVISED -							
						SCALE: SHEET NO. OF SHEETS STA. TO STA.		CONTRACT NO. 78158		
ILLINOIS FED. AID PROJECT										