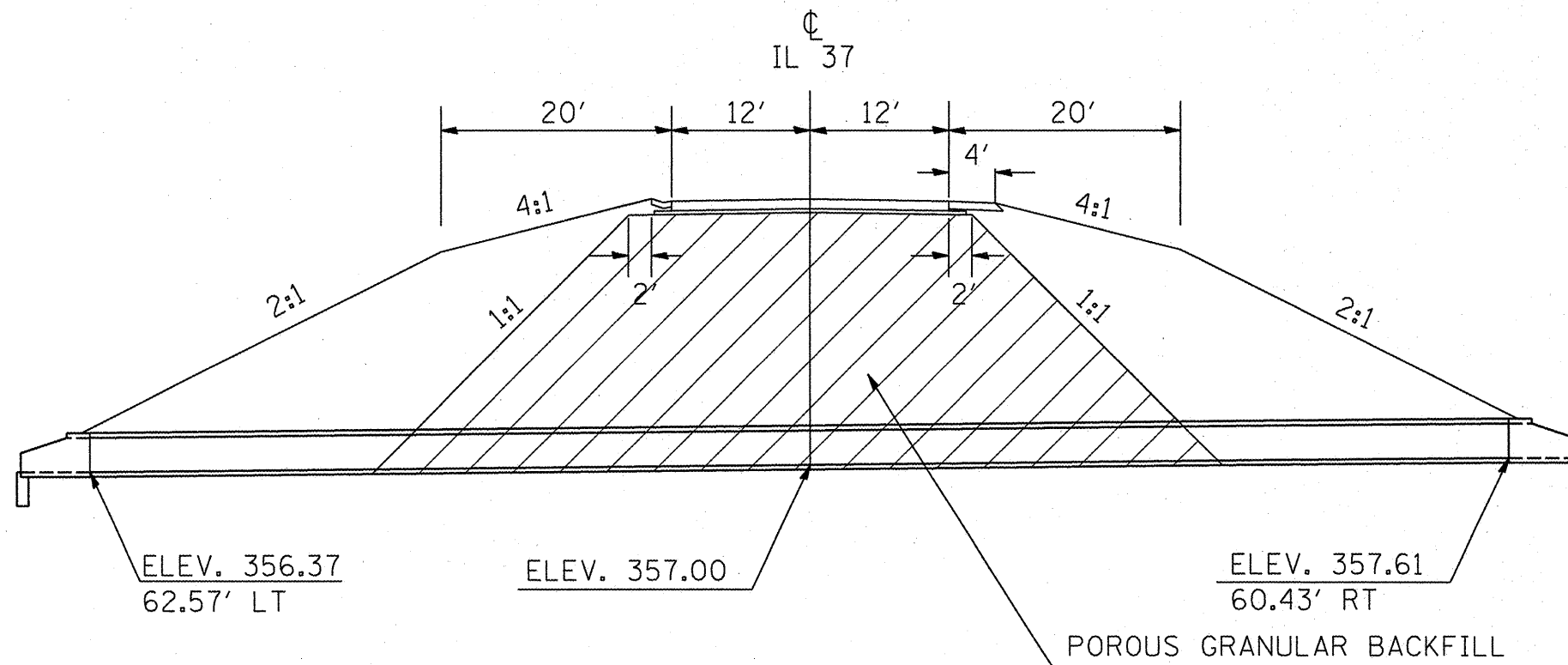


# CULVERT DETAIL



FILE NAME =	USER NAME = krenzja	DESIGNED -	REVISED -	<b>STATE OF ILLINOIS DEPARTMENT OF TRANSPORTATION</b>	<b>CULVERT DETAIL</b>			F.A.P. RTE.	SECTION	COUNTY	TOTAL SHEETS	SHEET NO.			
ca\pwwork\pwwidot\KCRANZJC\d0155533\78158-shs-pln.dgn		DRAWN -	REVISED -		SCALE:	SHEET NO.	OF	SHEETS	STA.	TO STA.	726	(1201)-1	PULASKI	14	10
		CHECKED -	REVISED -		CONTRACT NO. 78158										
		DATE -	REVISED -		ILLINOIS FED. AID PROJECT										