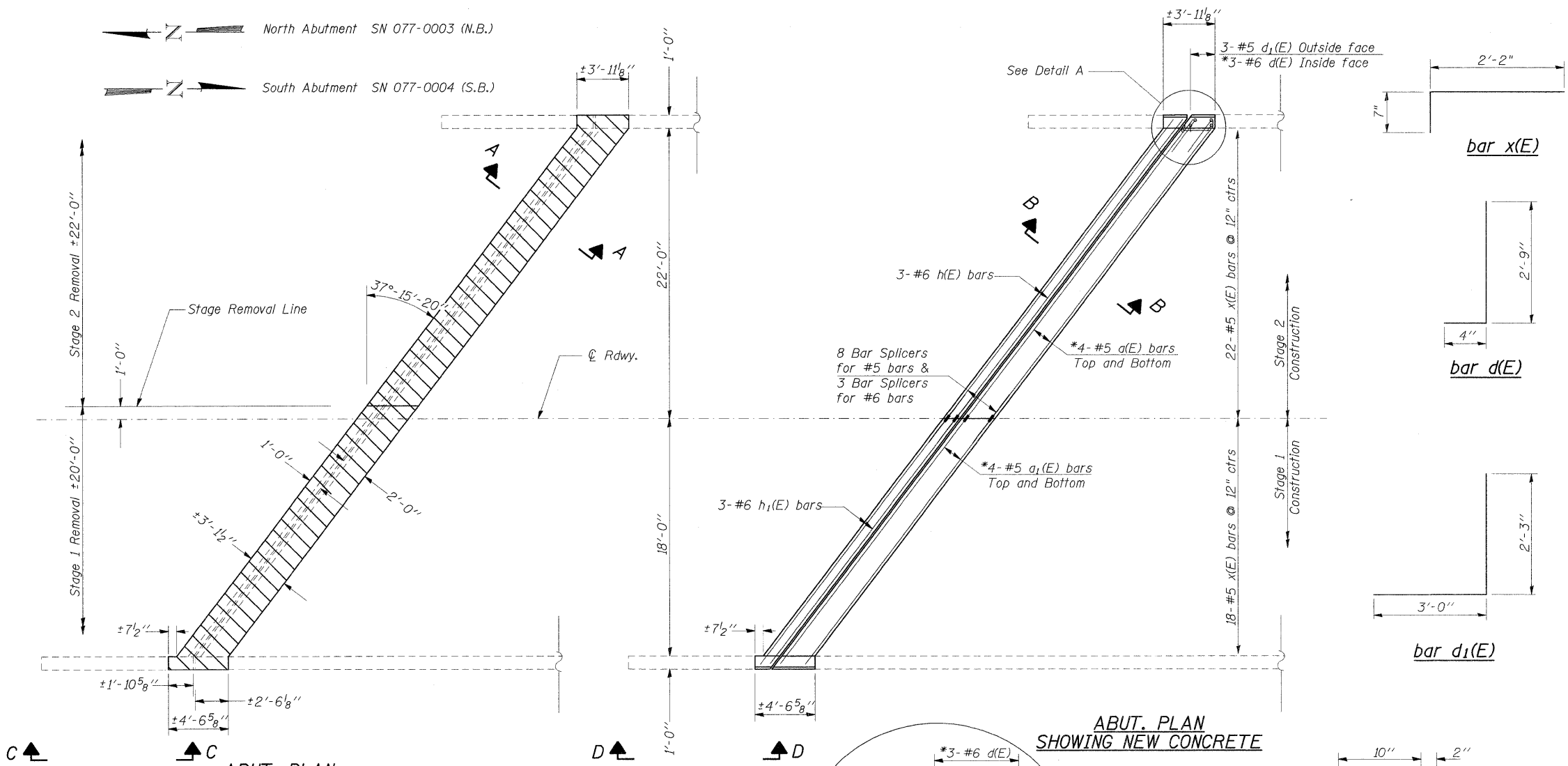
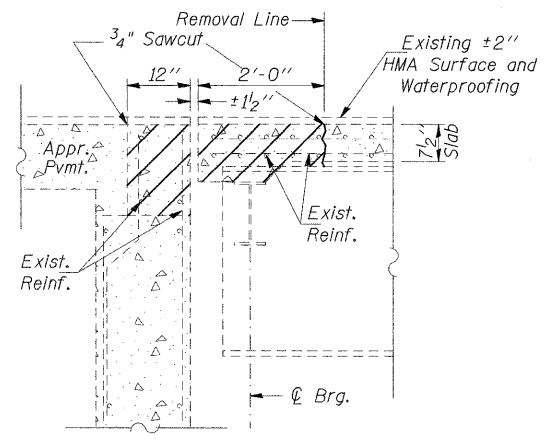


North Abutment SN 077-0003 (N.B.)
 South Abutment SN 077-0004 (S.B.)

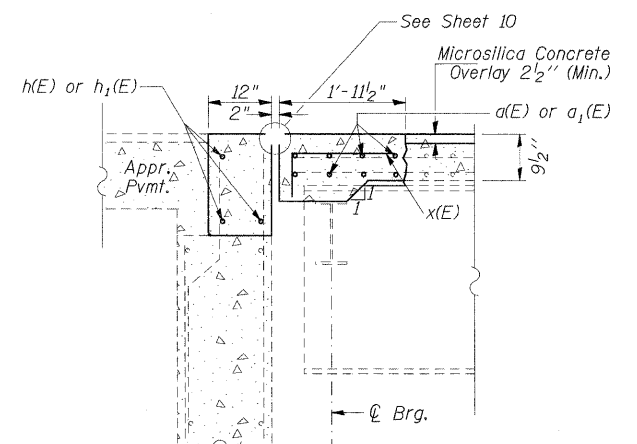


ABUT. PLAN
SHOWING CONCRETE REMOVAL

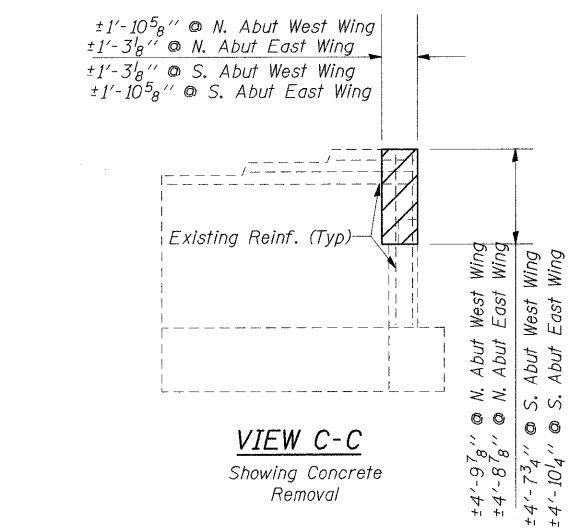
ABUT. PLAN
SHOWING NEW CONCRETE



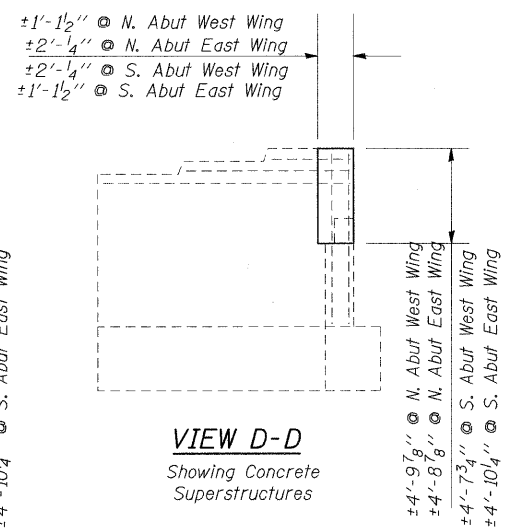
SECTION A-A
Dimensions measured @ Right Angles



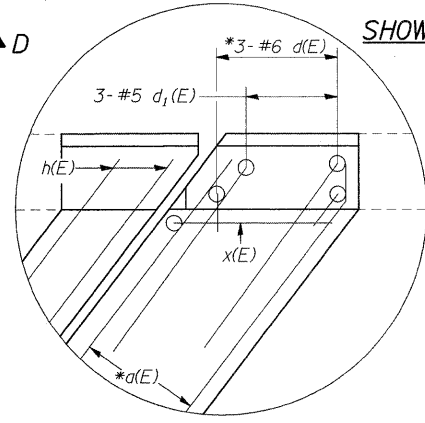
SECTION B-B
Dimensions measured @ Right Angles



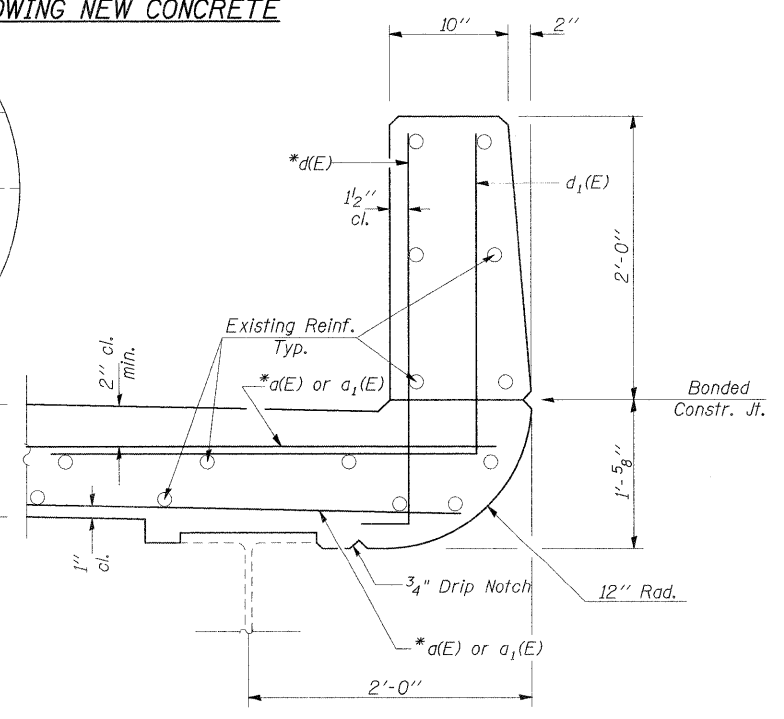
VIEW C-C
Showing Concrete Removal



VIEW D-D
Showing Concrete Superstructures



DETAIL A



SECTION THRU PARAPET

Notes:
 * Bend or turn Bars in Field to fit.

BILL OF MATERIAL (2 ABUTMENTS)

Bar	No.	Size	Length	Shape
a(E)	16	#5	28'-6"	—
a1(E)	16	#5	23'-6"	—
d(E)	12	#6	3'-1"	J
d1(E)	12	#5	5'-3"	J
h(E)	6	#6	28'-6"	—
h1(E)	6	#6	23'-6"	—
x(E)	80	#5	2'-9"	—
Concrete Superstructure			Cu. Yd.	15.65
Concrete Removal			Cu. Yd.	13.75
Reinforcement Bars, Epoxy Coated			Pound	1690

NORTH ABUT. SN 077-0003 (N.B.)
 SOUTH ABUT. SN 077-0004 (S.B.)
 JOINT REPLACEMENT DETAILS
 PULASKI COUNTY