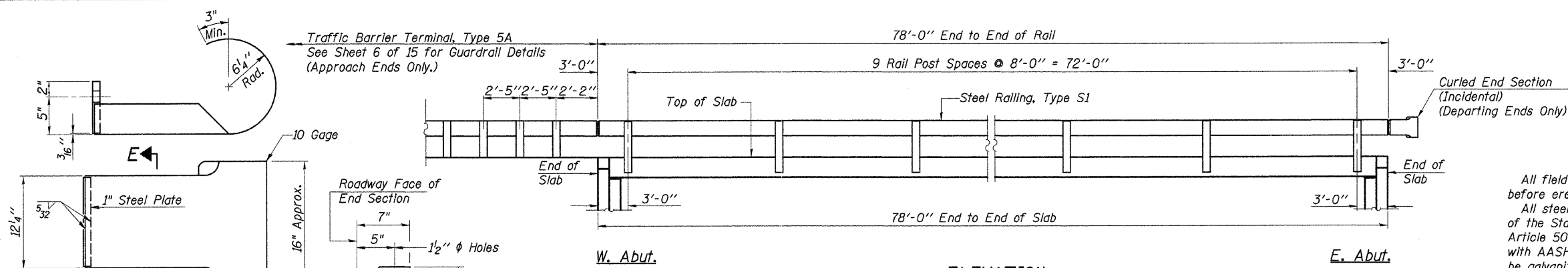


ROUTE NO.	SECTION	COUNTY	TOTAL SHEETS	SHEET NO.
F.A.S. 62	04-00164	STEPHENSON	15	10
C.H. 13	-00-BR			
ROAD DIST.	ILLINOIS	EAST PLUM RIVER		
Sheet 4 of 5			CONTRACT NO. 85419	

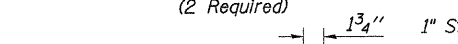


ELEVATION

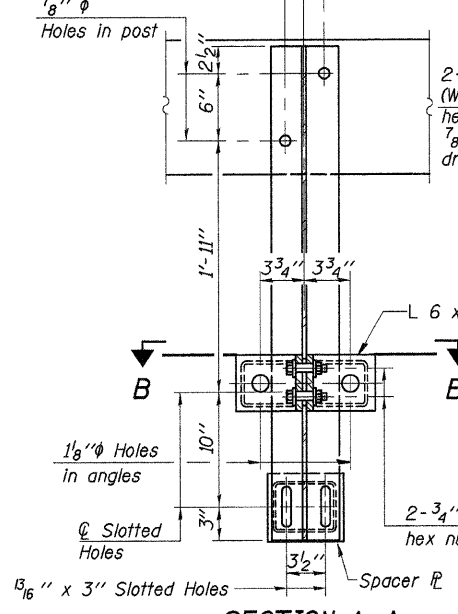
NOTES

All field drilled holes shall be coated with an approved zinc rich paint before erection.
 All steel rail elements shall be galvanized according to Article 509.05 of the Standard Specifications. In addition to the elements specified in Article 509.05, all angles and spacers are to be galvanized in accordance with AASHTO M-111, and all cap screws, washers, and lock washers are to be galvanized in accordance with AASHTO M-232.
 The 3/4" (M20) diameter high strength bolts used to connect the 6x4x3/4" angles to the post shall be tightened in accordance with Article 504.04(F)(2) of the Standard Specifications. The 1" (M24) diameter high strength bolts connecting steel to concrete shall be brought to a snug tight condition and given an additional 1/8 turn. The 5/8" (M16) cap screws in the bottom of the posts shall be brought to a snug tight condition only.
 *** The studs for the anchor devices shall be placed below the top reinforcement bars and the outermost longitudinal reinforcement bar shall be placed directly above the studs of the rail post anchor device.

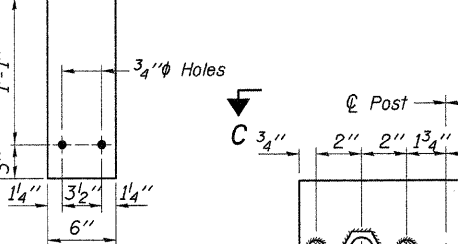
CURLED END SECTION DETAILS
(2 Required)



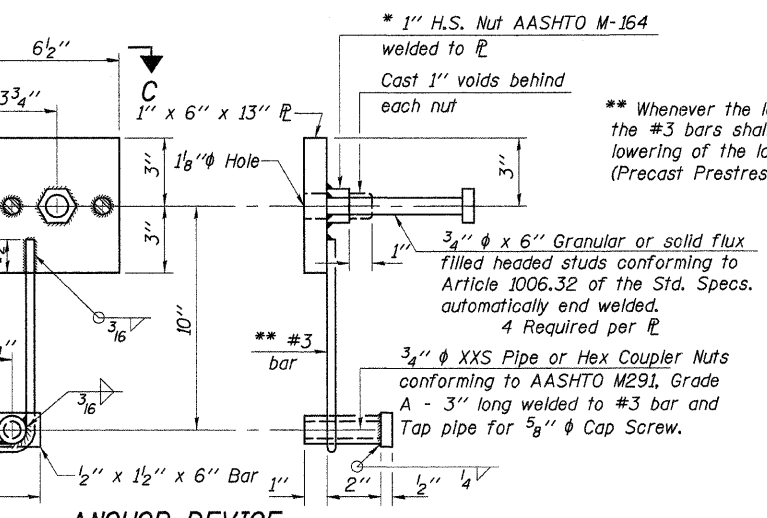
SECTION E-E



SECTION A-A

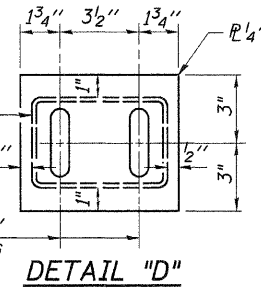


SECTION AT RAIL POST

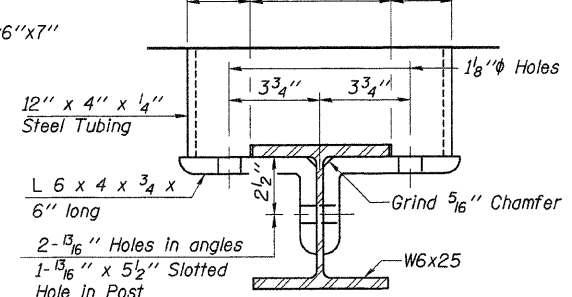


ANCHOR DEVICE

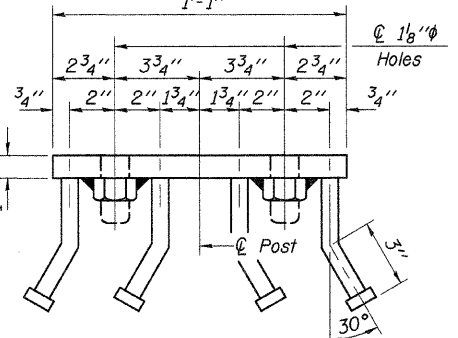
* Threaded areas shall be plugged or blocked off during casting of beam.



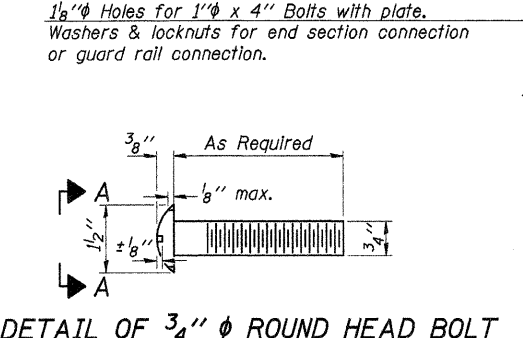
DETAIL "D"



SECTION B-B

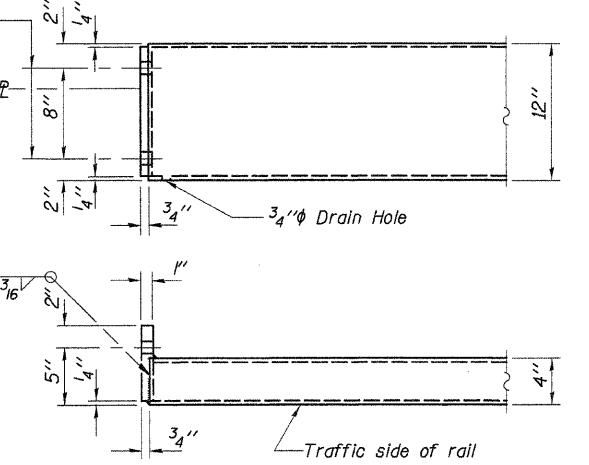


VIEW C-C



DETAIL OF 3/4" diameter ROUND HEAD BOLT

VIEW A-A



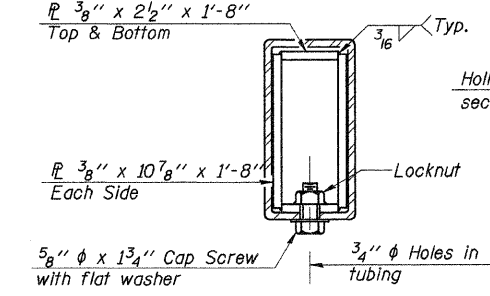
END OF RAIL DETAILS

BILL OF MATERIAL

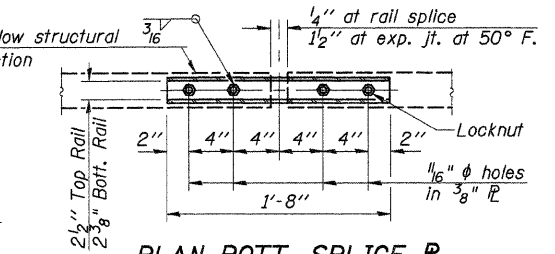
Item	Unit	Quantity
Steel Railing, Type S1	Foot	156

STEEL RAILING, TYPE S1

COUNTY HIGHWAY 13
 SECTION 04-00164-00-BR
 STEPHENSON COUNTY
 STATION 191+93



SECTIONS AT RAIL SPLICE



PLAN-BOTT. SPLICE TYPICAL

DESIGNED	A.R.K.
CHECKED	J.A.M.
DRAWN	S.A.P.
CHECKED	A.R.K. & J.A.M.