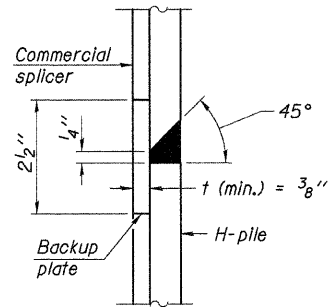
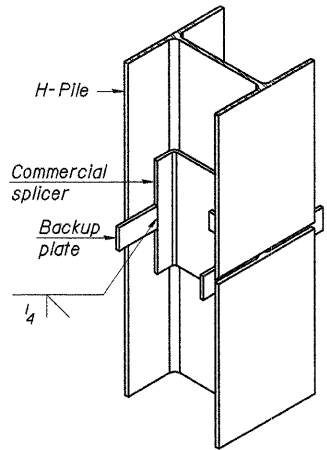


ELEVATION

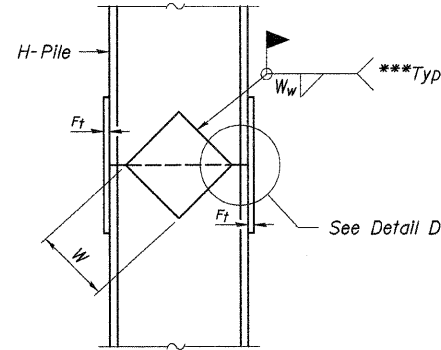


DETAIL "B"

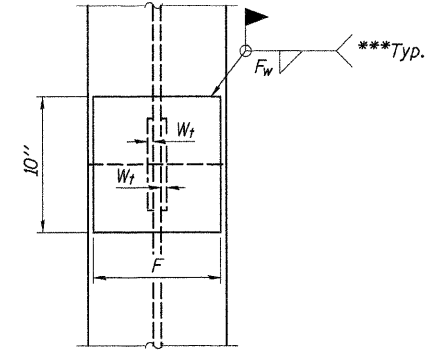


ISOMETRIC VIEW

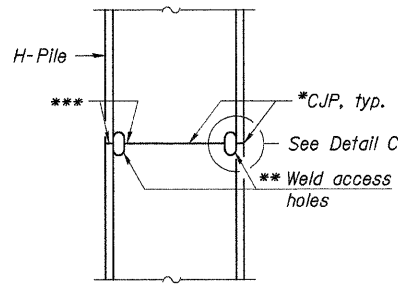
WELDED COMMERCIAL SPLICE



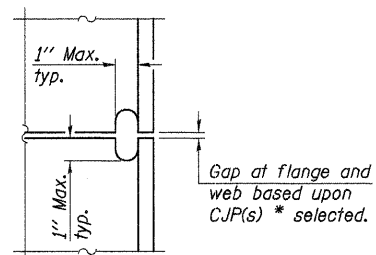
ELEVATION



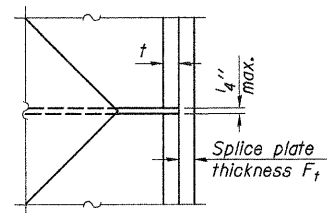
END VIEW



ELEVATION



DETAIL C



DETAIL D

COMPLETE PENETRATION WELD SPLICE

WELDED PLATE FIELD SPLICE

Designation	F	F _t	F _w	W	W _t	W _w
HP 14x117	12 1/2"	1"	7/8"	7 3/4"	5/8"	1/2"
x102	12 1/2"	7/8"	3/4"	7 3/4"	5/8"	1/2"
x89	12 1/2"	3/4"	11/16"	7 3/4"	5/8"	1/2"
x73	12 1/2"	5/8"	9/16"	7 3/4"	5/8"	1/2"
HP 12x84	10"	7/8"	11/16"	6 1/2"	5/8"	1/2"
x74	10"	7/8"	11/16"	6 1/2"	5/8"	1/2"
x63	10"	5/8"	1/2"	6 1/2"	1/2"	3/8"
x53	10"	5/8"	1/2"	6 1/2"	1/2"	3/8"
HP 10x57	8"	3/4"	9/16"	5 1/4"	1/2"	3/8"
x42	8"	5/8"	9/16"	5 1/4"	1/2"	3/8"
HP 8x36	7"	5/8"	7/16"	4 1/4"	1/2"	3/8"

* Use joint conforming to Figure 3.4 in AWS D1.1, Structure Welding Code - Steel.

** Preparation per Fig. 5.2 in AWS D1.1, Structure Welding Code - Steel.

*** Interrupt welds 1/4" from end of each pile.

Note:

The steel H-piles shall be according to AASHTO M270 Grade 50.

DESIGNED	A.R.K.
CHECKED	J.A.M.
DRAWN	S.A.P.
CHECKED	A.R.K. & J.A.M.

F-HP

11-1-06

STEEL PILE SPLICING DETAILS

COUNTY HIGHWAY 13
SECTION 04-00164-00-BR
STEPHENSON COUNTY
STATION 191+93

4440 ASH GROVE
SPRINGFIELD, IL 62711
(217) 793-8600
www.fehr-graham.com

FEHR-GRAHAM & ASSOCIATES, LLC
ENGINEERING AND SCIENCE CONSULTANTS
FREEDOM, IL; ROCKFORD, IL; ROCKFORD, IL; SPRINGFIELD, IL

JOB NO.: 47188
FILE: 47188piles.dgn
DATE: 10/12/09