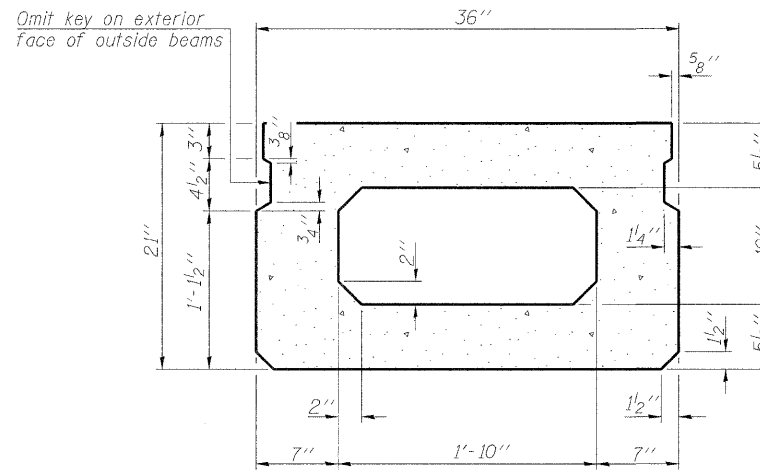
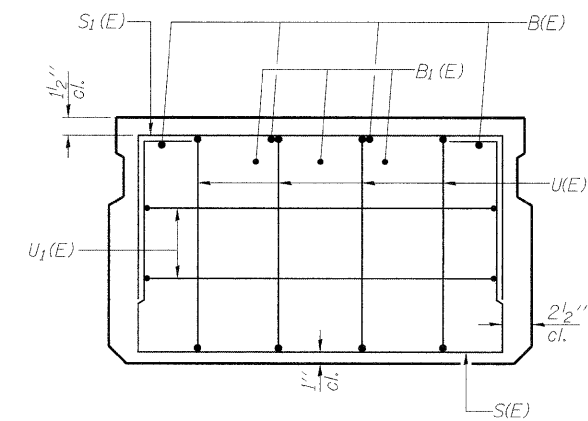


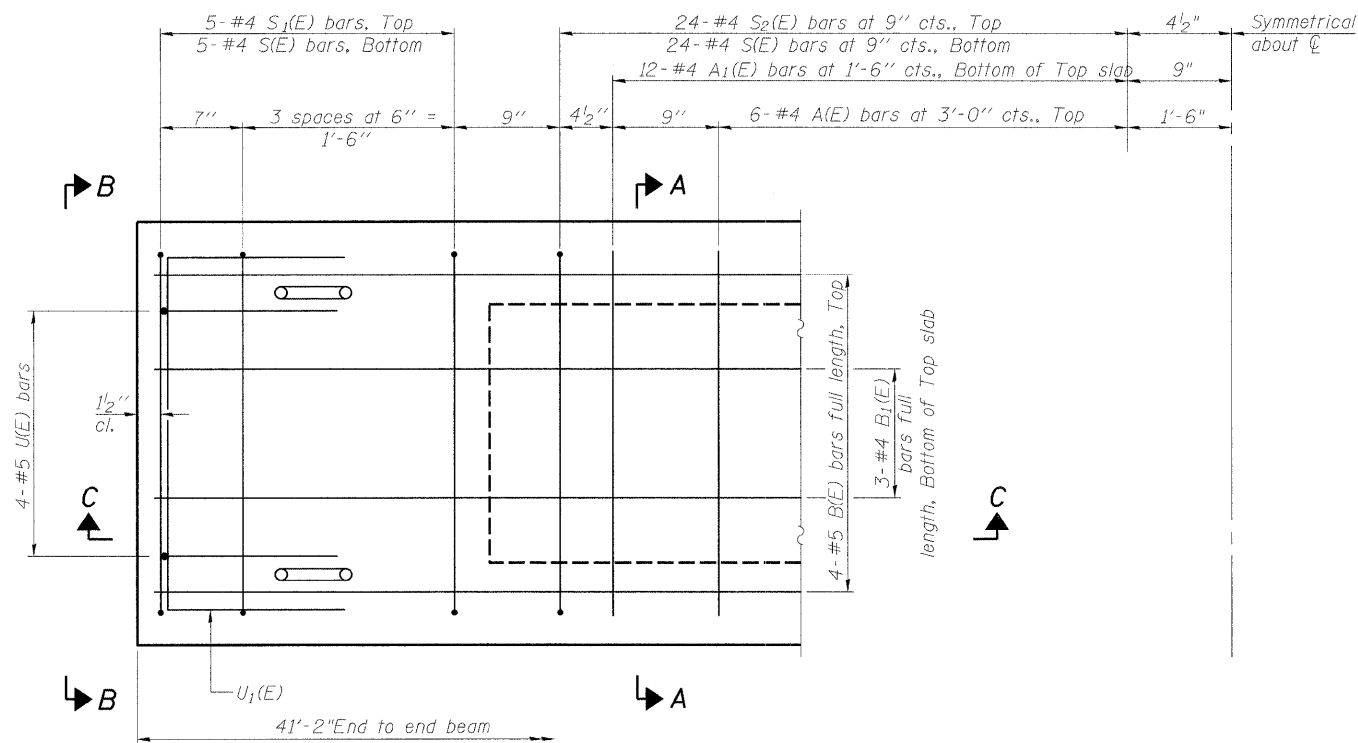
SECTION C-C



SECTION A-A
(Showing dimensions)

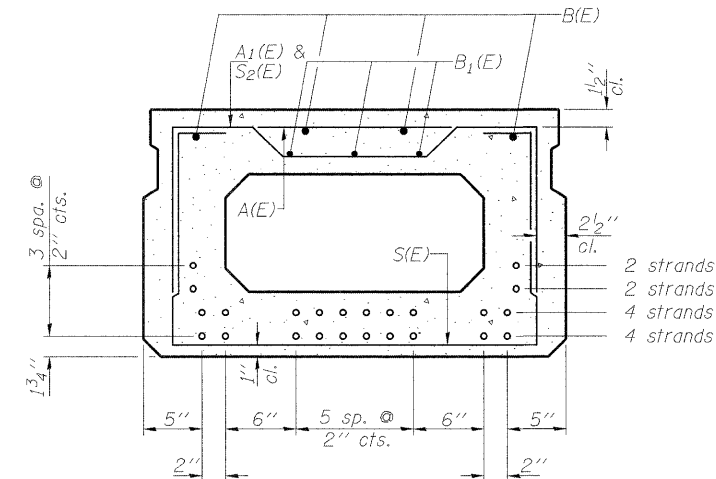


VIEW B-B



PLAN VIEW

Note: Spacing of S(E) and S₂(E) bars may be adjusted up to 4" in the immediate area of the transverse tie diaphragms to miss the block outs for the transverse ties.



SECTION A-A
(Showing reinforcement and permissible strand locations)

Note: Place the number of strands specified in each row symmetrically about the centerline of beam in the permissible strand locations shown.

BAR LIST
ONE BEAM ONLY
(For information only)

Bar	No.	Size	Length	Shape
A(E)	12	#4	2'-7"	—
A ₁ (E)	24	#4	2'-10"	~
B(E)	4	#5	40'-10"	—
B ₁ (E)	3	#4	40'-10"	—
S(E)	58	#4	6'-5"	□
S ₁ (E)	10	#4	4'-11"	□
S ₂ (E)	48	#4	5'-2"	□
U(E)	8	#5	4'-0"	□
U ₁ (E)	4	#4	5'-0"	□

Note: See sheet 6 of 11 for additional details and Bill of Material.

12/11/09
 I:\09\08\08\0156\CADD\Struct\Sheet\AS-004-PPC Deck Beams 1-3.dgn
 LAYOUT: SMK 09/11/09
 DRAWN: JEM 12/11/09
 REVIEWED: SMK 12/11/09

SHEET NO. 4 11 SHEETS		F.A.S. ROUTE 76	SECTION 06-00183-00-BR	COUNTY Whiteside	TOTAL SHEETS 21	SHEET NO. 11
12/11/09		FEDERAL ROAD DIST. NO. 2 ILLINOIS FED. AID PROJECT		CONTRACT NO. 85506		

PPC DECK BEAM - SPANS 1 & 3

LYNDON ROAD BRIDGE
OVER ROCK CREEK
F.A.S. ROUTE 76
SECTION 06-00183-00-BR
WHITESIDE COUNTY, ILLINOIS
STRUCTURE NUMBER 098-3077
STATION 223+86.00

