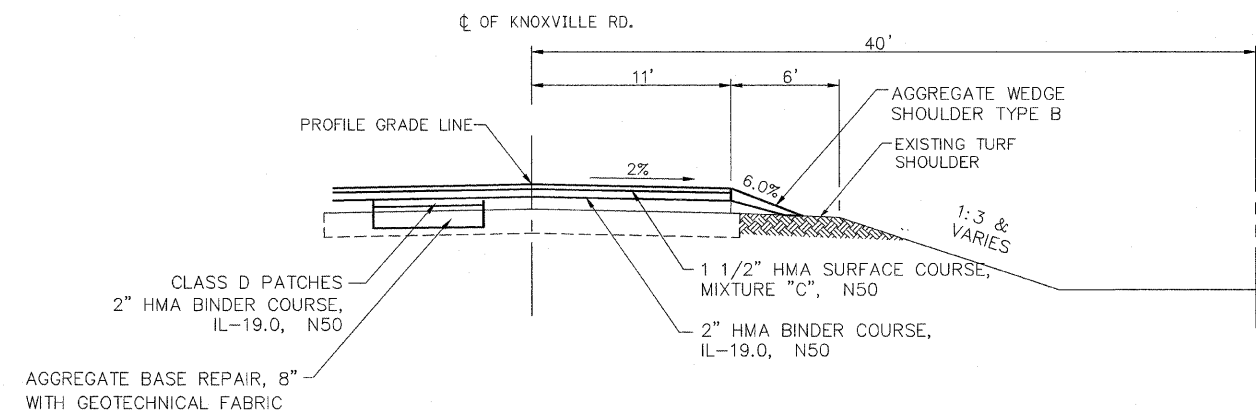
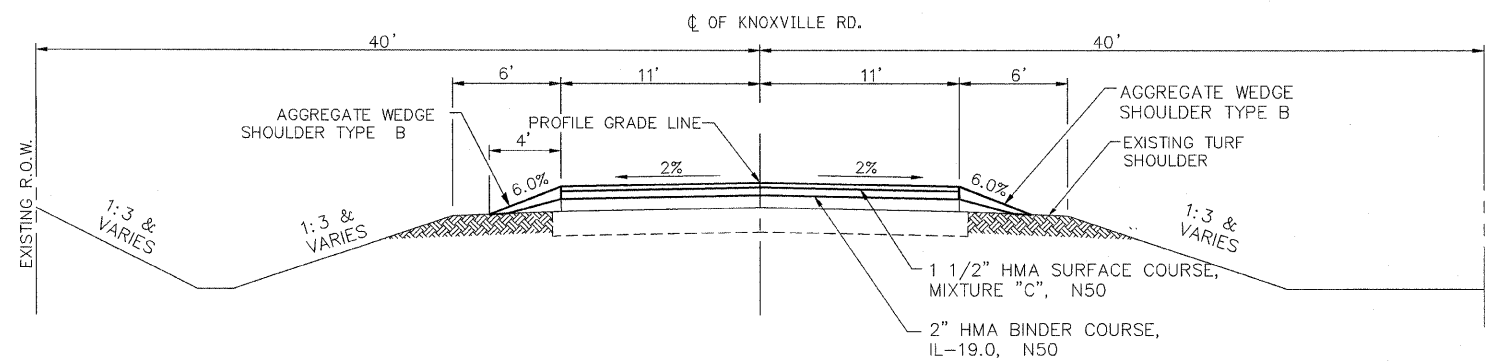
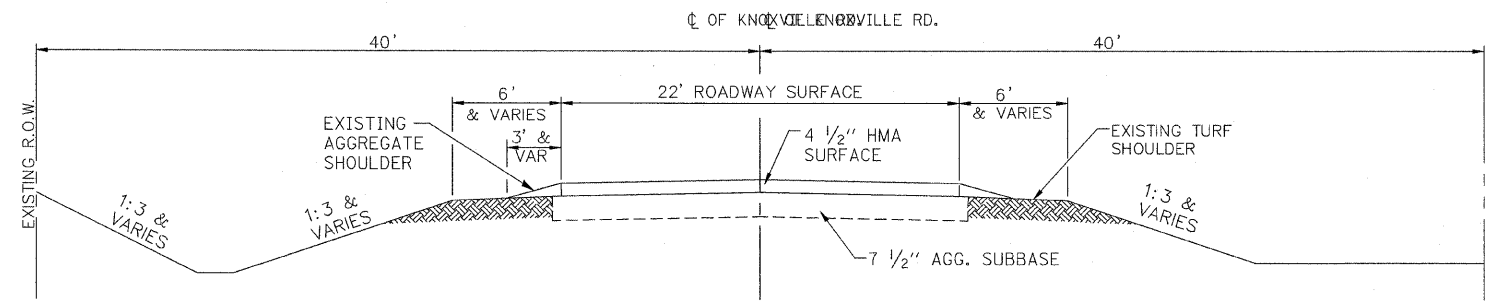


F.A.S. RTE.	SECTION	COUNTY	TOTAL SHEETS	SHEET NO.
206	06-00094-05-DR	MERCER	36	7
STA. 257+10.06 TO STA. 428+35.00				
FED. ROAD DIST. NO. 7		ILLINOIS		



**TYPICAL SECTIONS AND DETAILS**

SECTION 06-000 94-05-DR  
 F.A.S. RTE. 206, STA. 257+10.06 TO 428+35.00  
 RICHLAND GROVE TOWNSHIP  
 MERCER COUNTY