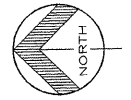
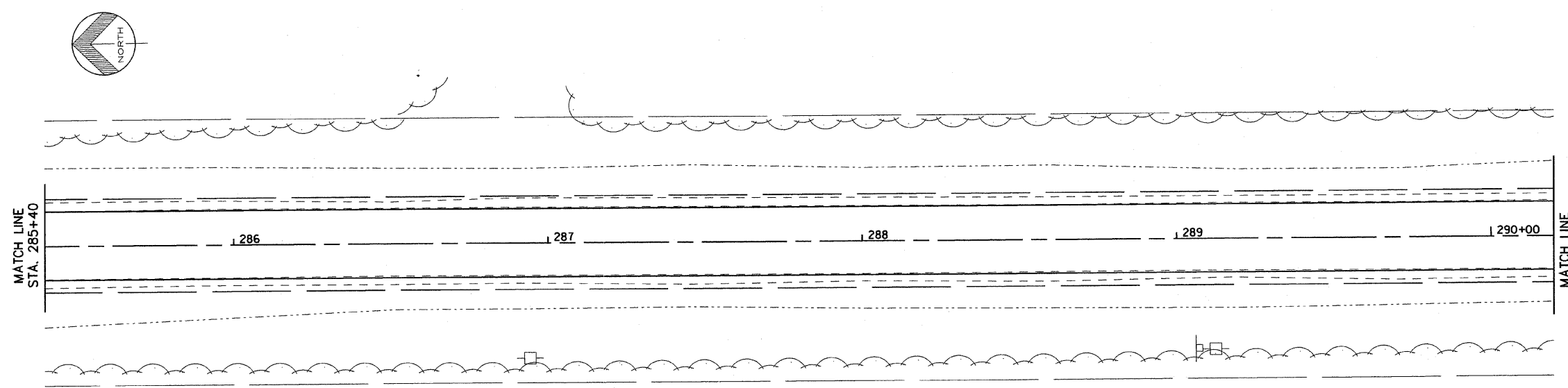
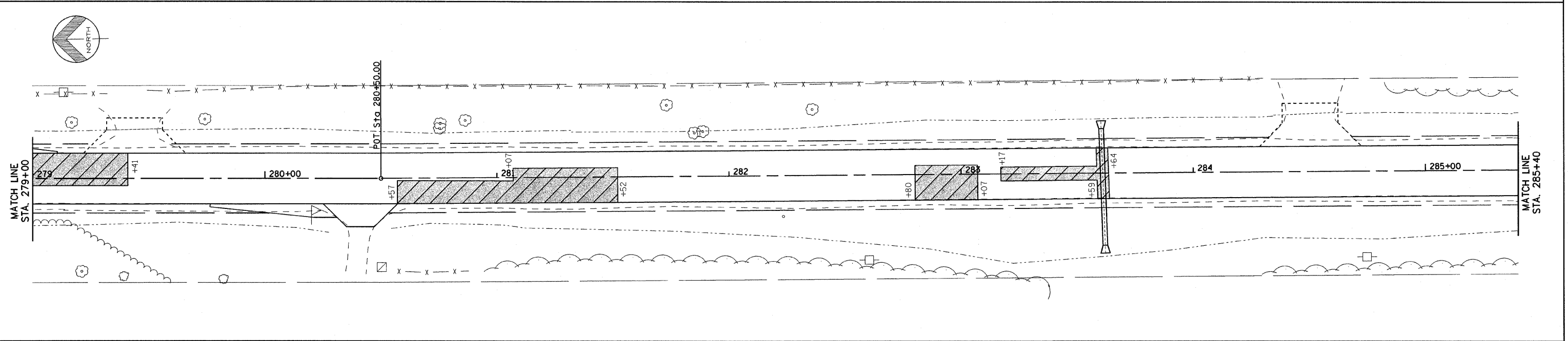
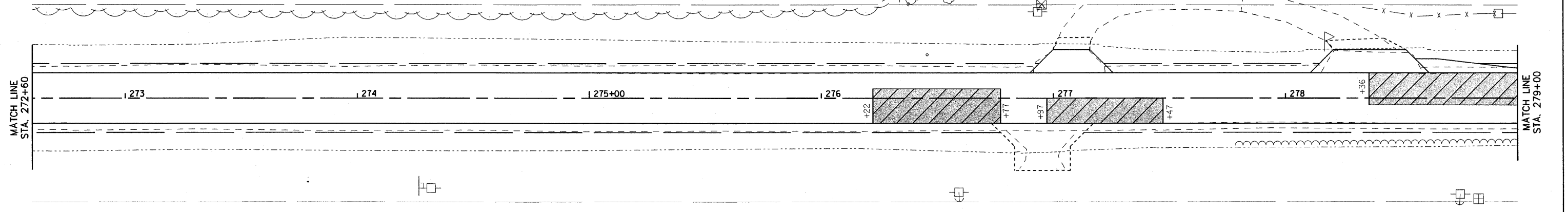


F.A.S. RTE.	SECTION	COUNTY	TOTAL SHEETS	SHEET NO.
206	06-00094-05-DR	MERCER	36	24
STA. 272+60 TO STA. 290+20				
FED. ROAD DIST. NO. 7			ILLINOIS	



20 0 20 40
SCALE 1" = 20'



- LEGEND:**
- = LESS THAN 5 SQ YD
 - = 5 SQ YD OR MORE, BUT LESS THAN 15 SY YD
 - = 15 SQ YD OR MORE, BUT LESS THAN 25 SQ YD
 - = 25 SQ YD OR MORE

PATCHING PLAN
SECTION 06-00094-05-DR
F.A.S. RTE. 206, STA. 257+10.06 TO 428+35.00
RICHLAND GROVE TOWNSHIP
MERCER COUNTY