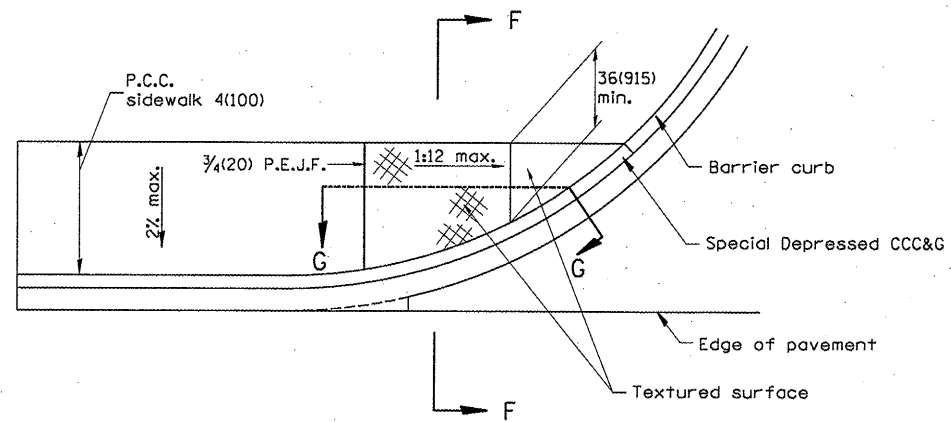
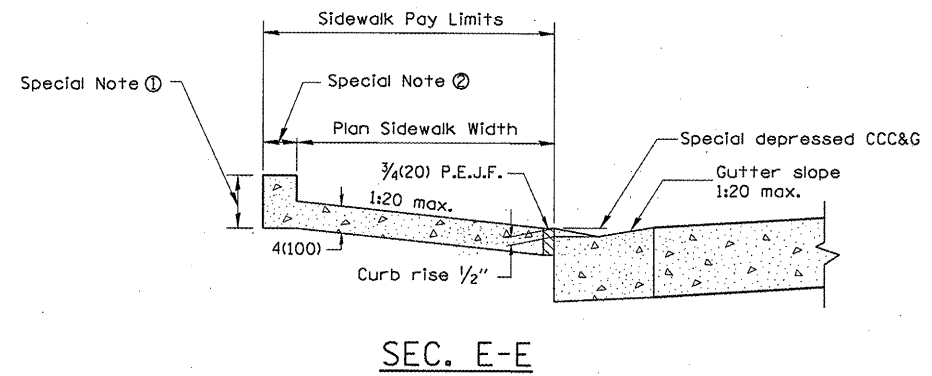


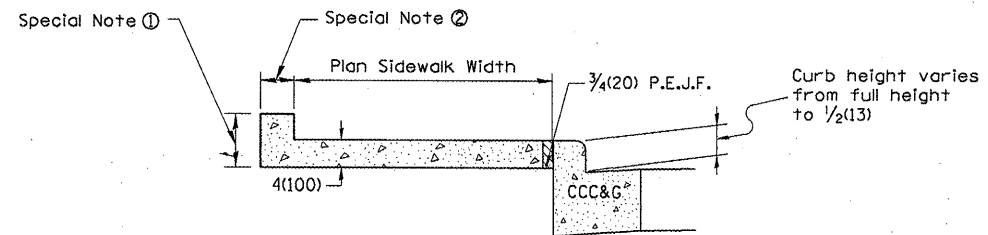
**CASE 3**  
TYPE B DIAGONAL RAMP WITH CURBLINE SIDEWALK



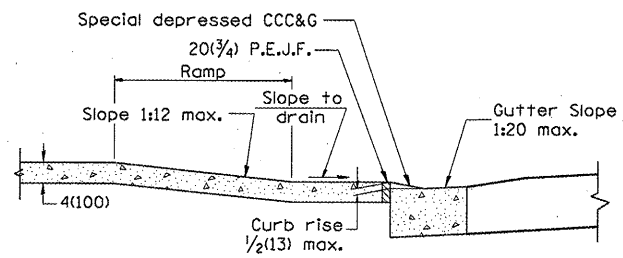
**CASE 4**  
TYPE B RAMP WITH CURBLINE SIDEWALK



**SEC. E-E**



**SEC. F-F**



**SEC. G-G**

89563

All dimensions are in inches (millimeters) unless otherwise noted.

STATE OF ILLINOIS DEPARTMENT OF TRANSPORTATION				SIDEWALK RAMPS, ACCESSIBLE TO THE DISABLED				SHT. 2 OF 2 CADD STD. 424001-04		F.A. RTE. SECTION COUNTY TOTAL SHEETS SHEET NO. 28	
				NOT TO SCALE				ILLINOIS FED. AID PROJECT		CONTRACT NO.	