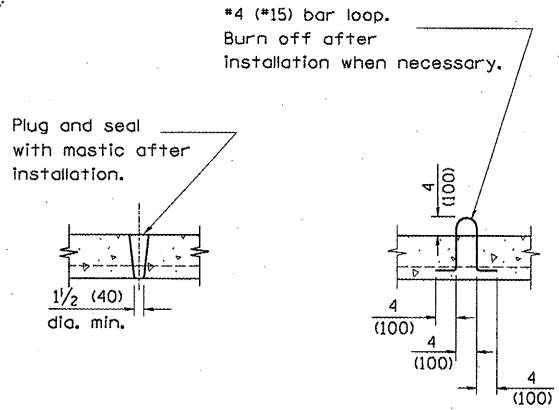
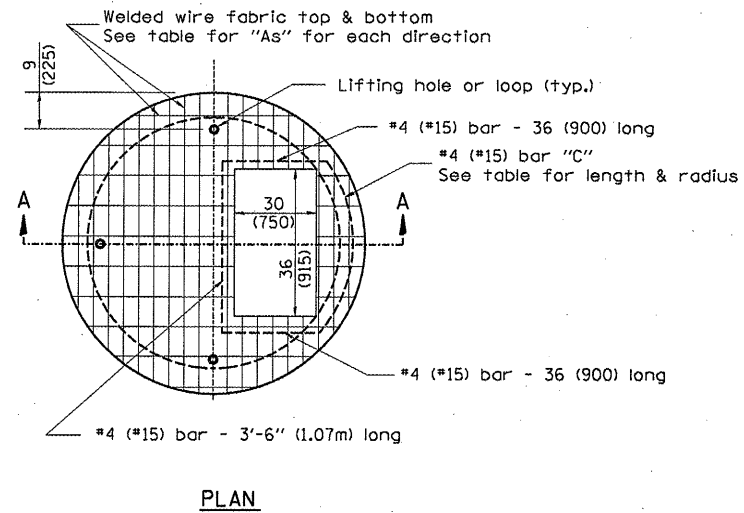
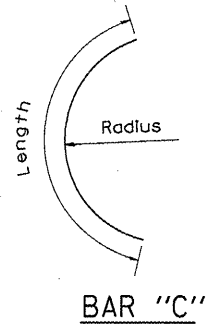


DESIGNER NOTES:
 1. Include this standard with Type G-1 and Type G-1, Special Inlet-Manholes.
 2. The flat slab top is included in the cost of INLET-MANHOLES as per District Special Provision.



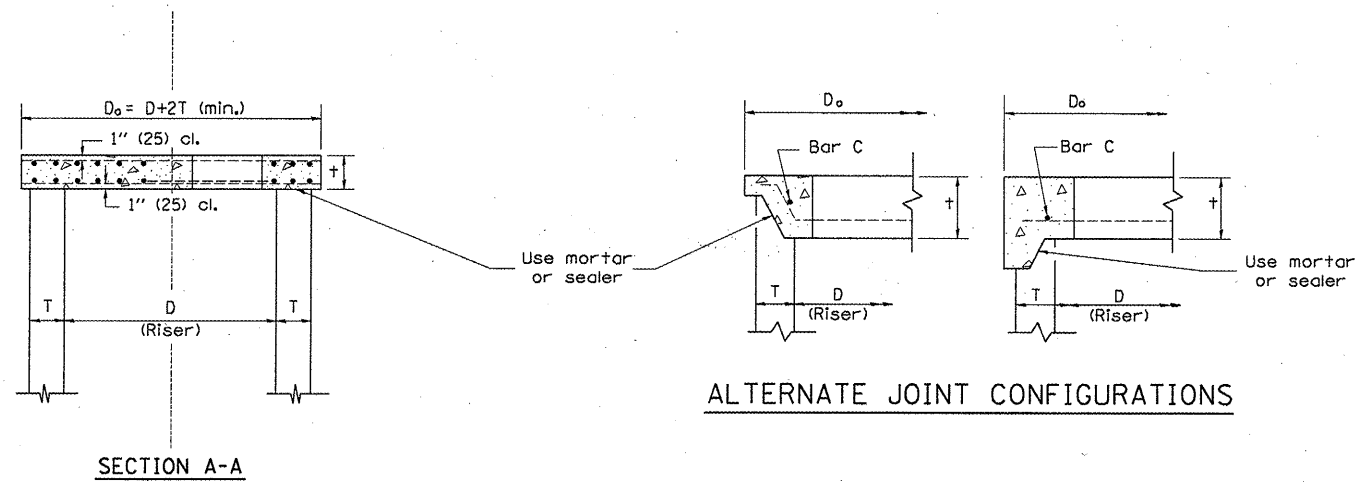
LIFTING HOLE OR LIFTING LOOP
 TYPICAL

(3 required per slab)



TABLE

D	T	D _o (min.)	t	Reinforcement "As" W.W.F. each direction	Bar size	No. 15 (No. 4) Bar C	
						Length	Radius
4' (1.2m)	5 (125)	4'-10" (1.5m)	6 (150)	0.70 sq. inch/lin. ft. (1480mm ² /m)	No. 15 (No. 5)	1.35m (4'-6")	660 (26)
5' (1.5m)	6 (150)	6'-0" (1.8m)	8 (200)	0.70 sq. inch/lin. ft. (1480mm ² /m)	No. 15 (No. 5)	1.5m (5'-0")	810 (32)
6' (1.8m)	7 3/4 (195)	7'-3 1/2" (2.2m)	8 (200)	0.88 sq. inch/lin. ft. (1860mm ² /m)	No. 20 (No. 6)	1.8m (6'-0")	965 (38)
8' (2.4m)	9 (225)	9'-6" (2.9m)	10 (250)	0.88 sq. inch/lin. ft. (1860mm ² /m)	No. 20 (No. 6)	2.3m (7'-6")	1.27m (4'-2")



GENERAL NOTES

1. The precast reinforced concrete flat slab top shall be used with INLET-MANHOLE, TYPE G-1 and INLET-MANHOLE, TYPE G-1, SPECIAL.
2. Joint configuration and dimensions of flat slab top shall match and fit the riser joint detail.
3. Lifting devices shall be approved by the Engineer.

89563

All dimensions are in inches (millimeters) unless otherwise noted.

01-01-97	RENUM. B-4.07, NEW REVISION BOX	T.P.			STATE OF ILLINOIS DEPARTMENT OF TRANSPORTATION	PRECAST REINFORCED CONCRETE FLAT SLAB TOP FOR INLET-MANHOLE, TYPE G-1 AND TYPE G-1, SPECIAL	F.A. RTE.	SECTION	COUNTY	TOTAL SHEETS	SHEET NO.
10-16-06	REVISED TO 2007 SPEC.	M.A.								33	
						NOT TO SCALE	CONTRACT NO.		ILLINOIS FED. AID PROJECT		