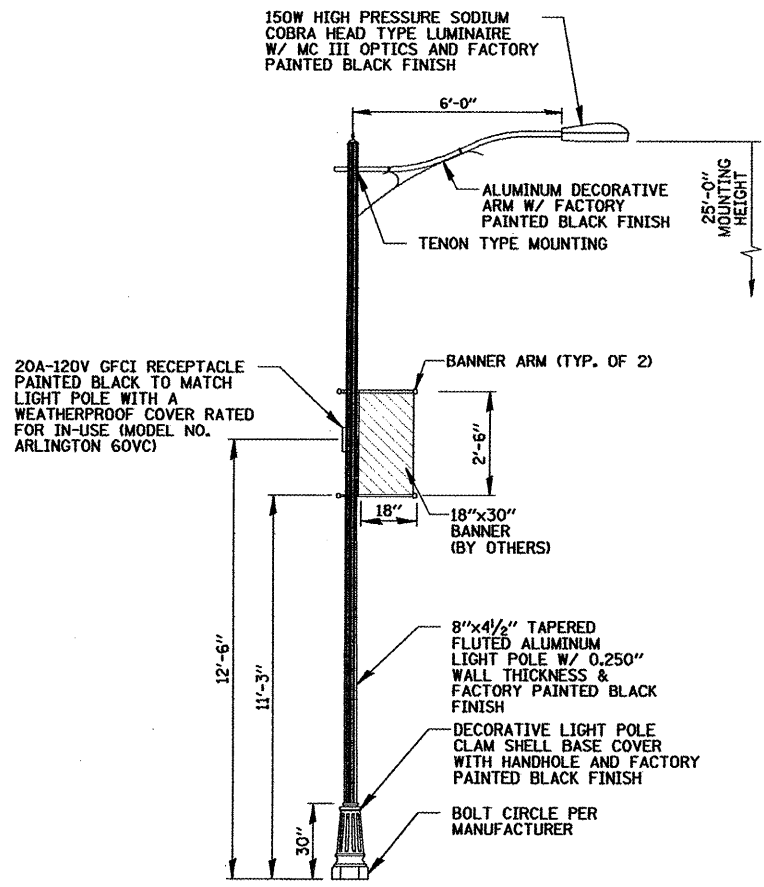


LUMINAIRE AND POLE SCHEDULE

F.A.P. RTE.	SECTION	COUNTY	TOTAL SHEETS	SHEET NO.
643	09-00001-00-LT	STARK	7	5
CONTRACT NO. 89564				
FED. ROAD DIST. NO. 4 ILLINOIS FED. AID PROJECT				

LIGHT POLE IDENTIFIER	LUMINAIRE				LOCATION	
	WATTAGE	MTG HT	CKT ID	POLE TYPE	STATION	OFFSET
P1	100	16'	A	ORNAMENTAL	21+80 L	16.7' B.O.C.
P2	100	16'	B	ORNAMENTAL	22+56 L	16.5' B.O.C.
P3	100	16'	A	ORNAMENTAL	23+32 L	3' B.O.C.
P4	150	25'	B	INTERSECTION	14+08 L	3' B.O.C.
P5	100	16'	A	ORNAMENTAL	14+64 L	3' B.O.C.
P6	100	16'	B	ORNAMENTAL	15+09 L	3' B.O.C.
P7	100	16'	A	ORNAMENTAL	15+49 L	3' B.O.C.
P8	100	16'	B	ORNAMENTAL	15+49 R	3' B.O.C.
P9	100	16'	A	ORNAMENTAL	15+09 R	3' B.O.C.
P10	100	16'	B	ORNAMENTAL	14+64 R	3' B.O.C.
P11	150	25'	A	INTERSECTION	14+05 R	3' B.O.C.
P12	150	25'	B	INTERSECTION	30+39 L	3' B.O.C.
P13	100	16'	A	ORNAMENTAL	31+14 L	3' B.O.C.
P14	100	16'	B	ORNAMENTAL	31+90 L	3' B.O.C.
P15	100	16'	A	ORNAMENTAL	32+65 L	3' B.O.C.
P16	100	16'	B	ORNAMENTAL	33+40 L	3' B.O.C.
P17	100	16'	C	ORNAMENTAL	33+40 R	3' B.O.C.
P18	100	16'	D	ORNAMENTAL	32+65 R	3' B.O.C.
P19	100	16'	C	ORNAMENTAL	31+90 R	3' B.O.C.
P20	100	16'	D	ORNAMENTAL	31+24 R	3' B.O.C.
P21	150	25'	C	INTERSECTION	12+35 R	3' B.O.C.
P22	100	16'	D	ORNAMENTAL	11+66 R	3' B.O.C.
P23	100	16'	C	ORNAMENTAL	11+08 R	3' B.O.C.
P24	100	16'	D	ORNAMENTAL	10+45 R	3' B.O.C.
P25	100	16'	C	ORNAMENTAL	9+79 R	3' B.O.C.
P26	100	16'	D	ORNAMENTAL	9+79 L	3' B.O.C.
P27	100	16'	C	ORNAMENTAL	10+45 L	3' B.O.C.
P28	100	16'	D	ORNAMENTAL	11+09 L	3' B.O.C.
P29	100	16'	C	ORNAMENTAL	11+66 L	3' B.O.C.
P30	150	25'	D	INTERSECTION	12+72 L	3' B.O.C.
P31	150	25'	C	INTERSECTION	23+93 R	3' B.O.C.
P32	100	16'	D	ORNAMENTAL	23+24 R	3' B.O.C.
P33	100	16'	C	ORNAMENTAL	22+56 R	14' B.O.C.
P34	100	16'	D	ORNAMENTAL	21+98 R	14' B.O.C.



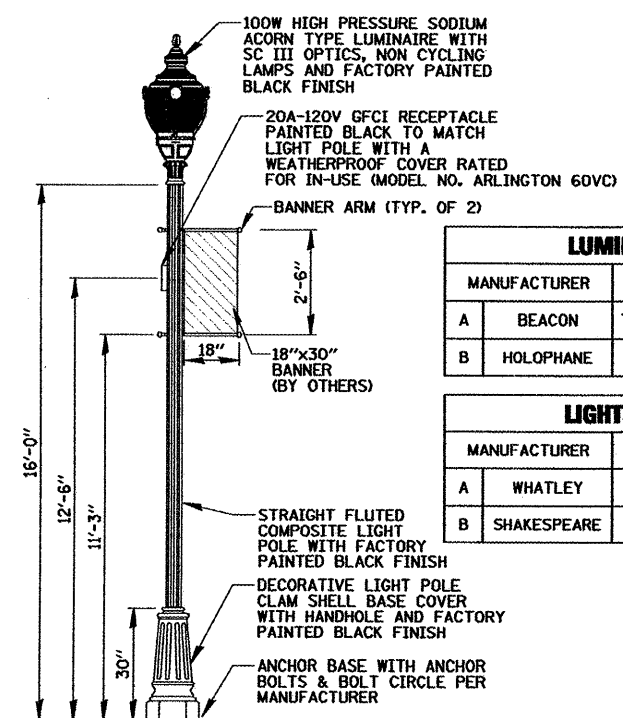
LUMINAIRE MODEL INFORMATION			
MANUFACTURER	LUMINAIRE MODEL NO.	IES PHOTOMETRIC CURVE	
A	G.E.	MDCA15SDM12FMC31NJ	GE450387.IES
B	AMERICAN ELECTRIC LIGHTING	31515SMRMT2R3FG4BBK ULNRLCECLSSPLHPBF	315-15S-R3-FGHP.IES

LIGHT POLE MODEL INFORMATION			
MANUFACTURER	LIGHT POLE MODEL NO.	DECORATIVE ARM	DECORATIVE BASE
A	VALMONT	CITY QUARTZ SERIES (COA816F8LT250P3BK)	PTAAV481L0 T3PBK VALMONT C SERIES
B	HAPCO	A4C25D8-TFO/BA27100	HAPCO HAPCO ARLEN 8X24X28

- NOTES:**
- LIGHT POLES INCLUDING BANNER ARMS SHALL MEET WIND LOADING & VIBRATION REQUIREMENTS ACCORDING TO THE LATEST AASHTO STANDARDS AND ARTICLE 1069.01 IN STANDARD SPECIFICATIONS FOR ROAD AND BRIDGE CONSTRUCTION. ALL STEEL SHALL BE FROM A DOMESTIC SOURCE.
 - THE LIGHT STANDARD SHALL MEET THE ILLUMINATION REQUIREMENTS AS SPECIFIED IN THE LUMINAIRE PERFORMANCE TABLES IN THE SPECIFICATIONS. ALL LUMINAIRES SHALL HAVE A MULTI-TAP BALLAST WIRED FOR 240 VOLTS OPERATION.
 - ALL LIGHT STANDARDS SHALL BE FROM THE SAME MANUFACTURER, OR APPROVED EQUAL.
 - LIGHT POLE SHALL BE U/L LISTED.
 - ALL LUMINAIRES TO BE PROVIDED WITH NON CYCLING LAMPS.

INTERSECTION LIGHT POLE DETAIL

N.T.S.

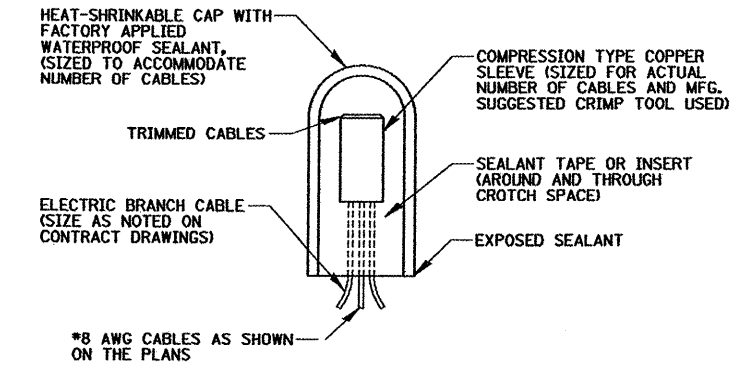


LUMINAIRE MODEL INFORMATION			
MANUFACTURER	LUMINAIRE MODEL NO.	IES PHOTOMETRIC CURVE	
A	BEACON	TIPCC1H1100HPSSR3BB	T1-PC-C1-HI-HPS15S-SR2.IES
B	HOLOPHANE	GVPHI0MCM6RRBP (LAMP)	GVP10HO0MX6NXX.IES

LIGHT POLE MODEL INFORMATION			
MANUFACTURER	LIGHT POLE MODEL NO.	DECORATIVE BASE	
A	WHATLEY	RF4D4S16ABBLK3030	D4S
B	SHAKESPEARE	AS00-16RS11	SHLF13

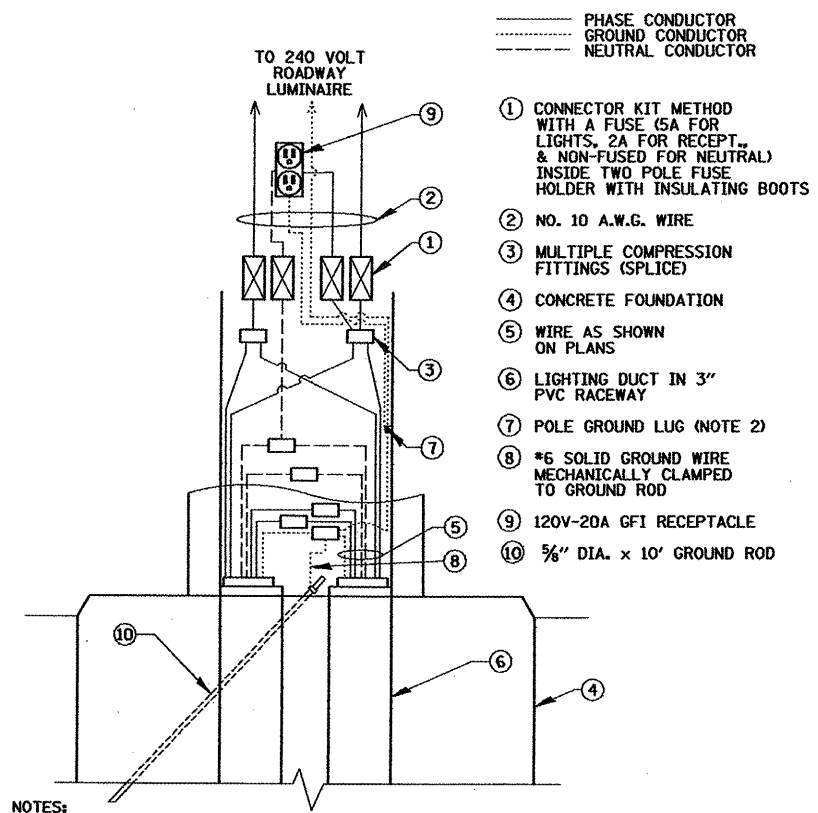
DECORATIVE LIGHT POLE DETAIL

N.T.S.



SPlicing ELECTRIC CABLE

N.T.S.



- NOTES:**
- CONTRACTOR TO ALTERNATE PHASE LEGS ON EVERY RECEPTACLE CIRCUIT TO BALANCE RECEPTACLE LOAD ACCORDINGLY.
 - NO POLE GROUND LUGS ARE PROVIDED ON COMPOSITE LIGHT POLES. CONTRACTOR SHALL EXTEND GROUND CONDUCTOR TO LUMINAIRE AT THESE LOCATIONS.

HANDHOLE WIRING DIAGRAM

N.T.S.

FILE NAME =	USER NAME = GHENN	DESIGNED = GAH	REVISED =
W:\gong\090519\Mech\LDOT_890519_05.S11		DRAWN = KB	REVISED =
	PLOT SCALE = 2"	CHECKED = A.JD	REVISED =
	PLOT DATE = 2/1/2018	DATE = 11-06-2009	REVISED =

STATE OF ILLINOIS
DEPARTMENT OF TRANSPORTATION

DOWNTOWN LIGHTING PROJECT
LIGHTING DETAILS (2 OF 3)

SCALE: N.T.S. SHEET NO. 5 OF 7 SHEETS STA. TO STA.

CHRISTOPHER B. BURKE ENGINEERING, LTD.
202 NE Madison, Suite 301
Peoria, Illinois 61602
(309) 679-0000