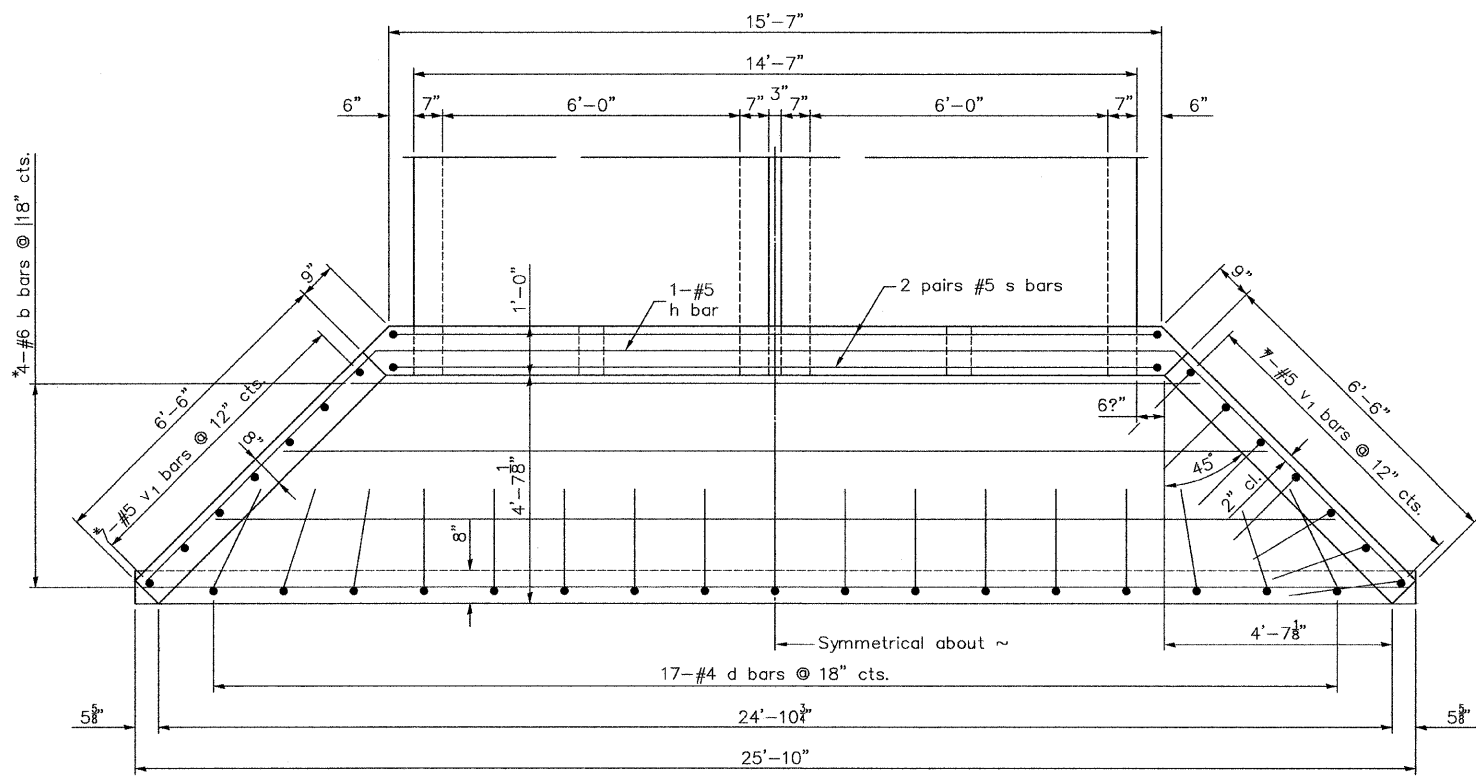
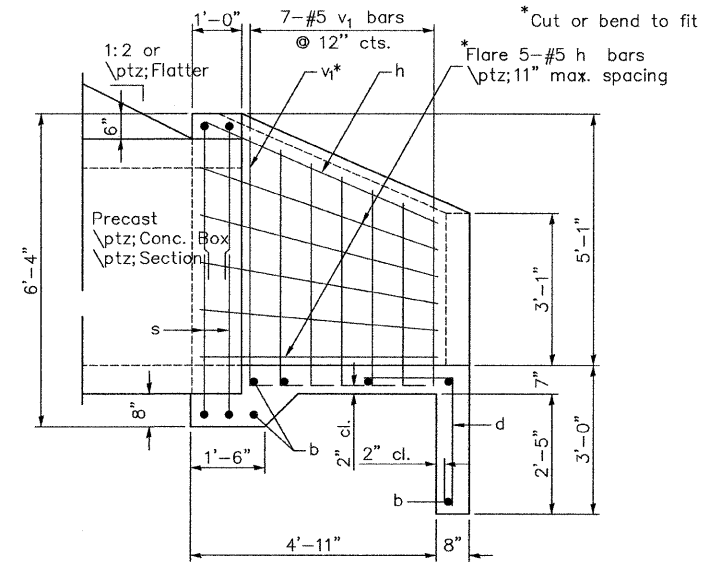


ROUTE NO.	SECTION	COUNTY	TOTAL SHEETS	SHEET NO.
C.H. 3	06-00086-00-PV	MACOUPIN	43	16
FED. ROAD DIST. NO. 7		ILLINOIS	FED. AID PROJECT-	

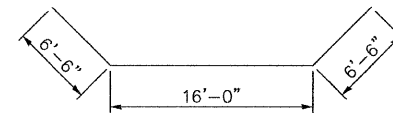


PLAN

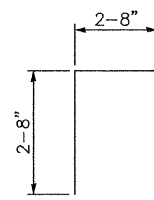


BILL OF MATERIAL-2 HDWLLS

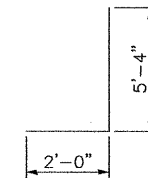
Bar	No.	Size	Length	Shape
b	12	#6	25'-6"	—
d	34	#4	5'-4"	┌
h	2	#5	29'-0"	┌
h ₁	20	#5	6'-2"	—
s	8	#5	23'-5"	┌
v ₁	28	#5	5'-4"	—
Concrete Box Culverts			Cu. Yd.	15.6
Reinforcement Bars			Pound	1130



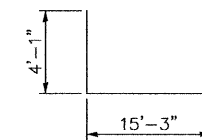
BAR h



BAR d



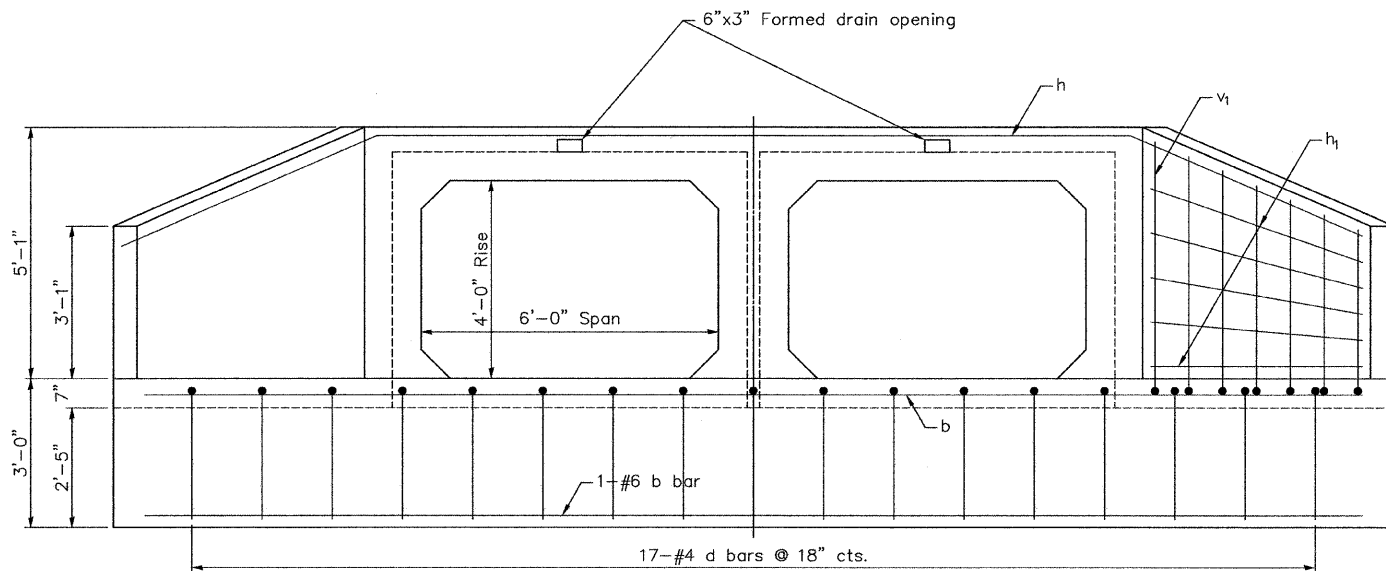
BAR v₁



BAR s

CULVERT DETAILS

Min. Bar Lap
#5 bar = 2'-2"



ELEVATION

SHEET TITLE		CULVERT DETAILS	
PROJECT	SECTION 06-00086-00-PV F.A.S. 2729 / C.H. 3 MACOUPIN COUNTY STA. 79+80	PROJECT NO.	03105
DATE	4/20/09	SCALE	
DRAWN BY	PPW	CHECKED BY	MRL
COOMBE-BLOXDORF P.C. Engineers / Land Surveyors Springfield, Illinois Design Firm License No. 184-002703		DRIVING NO.	16
		OF 43 SHTS	