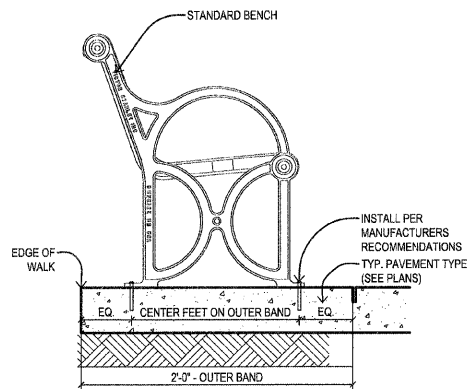
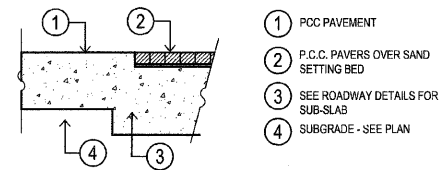


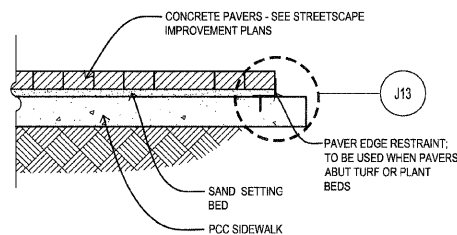
F.A.U. RTE	SECTION	COUNTY	TOTAL SHEETS	SHEET NO.
7982	*	SANGAMON	68	43
STA.		TO STA.		
FED. ROAD DIST. NO.	ILLINOIS	FED. AID PROJECT		
09-00447-03-PV	CITY OF SPRINGFIELD			



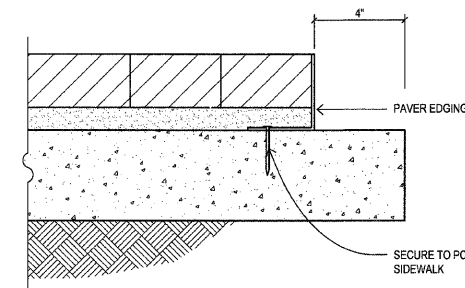
J9 TYP. METAL BENCH ATTACHMENT DETAIL
1 1/2" = 1'-0"
CONC-CURB-9811-81C1 0417



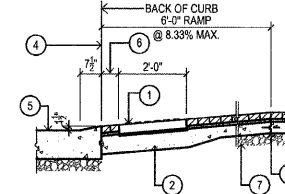
J11 SECTION: PCC PAVER @ PCC PAVEMENT
N.T.S. / DO NOT SCALE



J12 TYP. SECTION: SIDEWALK PCC PAVERS
N.T.S. / DO NOT SCALE



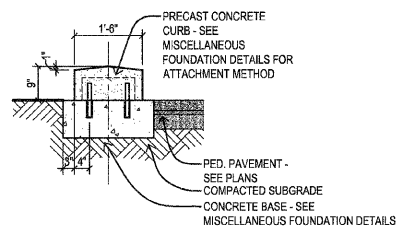
J13 TYP. SECTION: PAVER EDGE RESTRAINT
N.T.S. / DO NOT SCALE



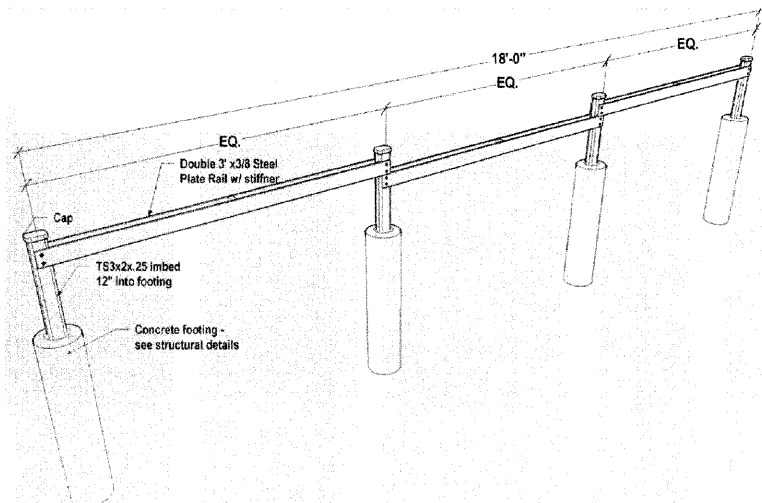
J14 TYP. SECT: CURB RAMP
N.T.S. / DO NOT SCALE

KEYED NOTES (THIS DETAIL ONLY)

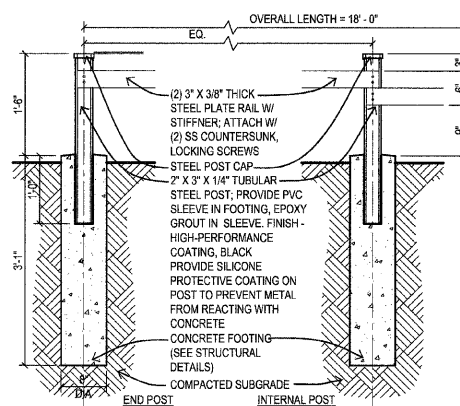
- 1 DETECTABLE WARNING P.C.C. PAVER ON 1" SAND SETTING BED
- 2 P.C.C. SIDEWALK
- 3 DOWELED & KEYPED CONST. JT.
- 4 KEYPED CONST. JT.
- 5 ROADWAY PAVEMENT
- 6 8" @ RAMP CENTER POINT @ BACK OF CURB
- 7 COMPACTED SUBGRADE



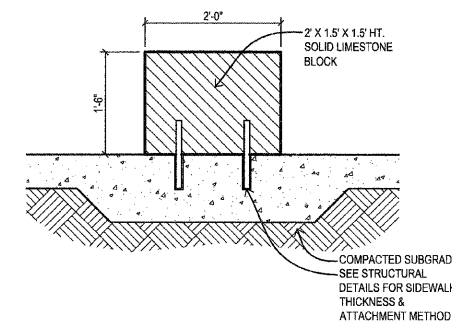
J4 PRECAST PLANTER EDGE - FRONT SECTION
1/2" = 1'-0"
CONC-CURB-9811-81C1 0417



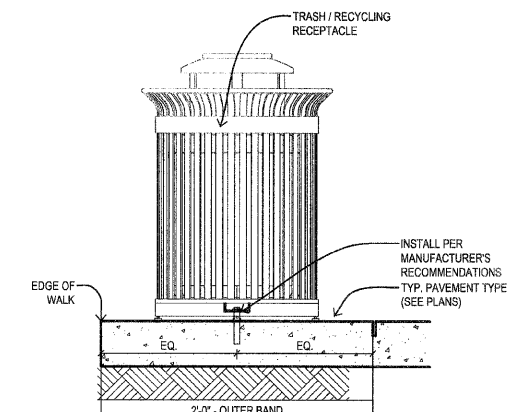
J5 STEEL PLANTER RAILING - PERSPECTIVE DETAIL
N.T.S. / DO NOT SCALE



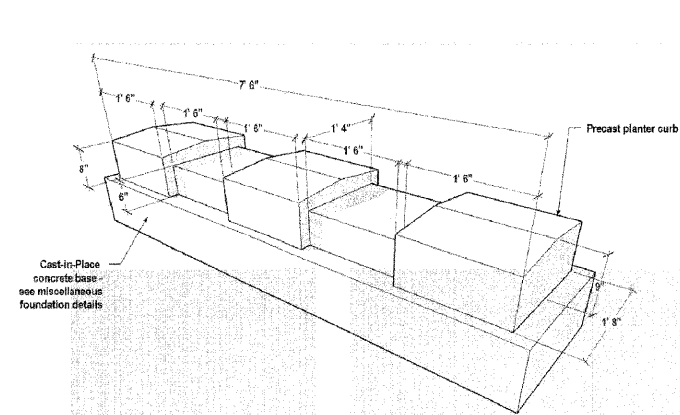
J6 STEEL PLANTER RAILING (W/ FOOTING) SECTION
3/4" = 1'-0"
18'-0\"/>



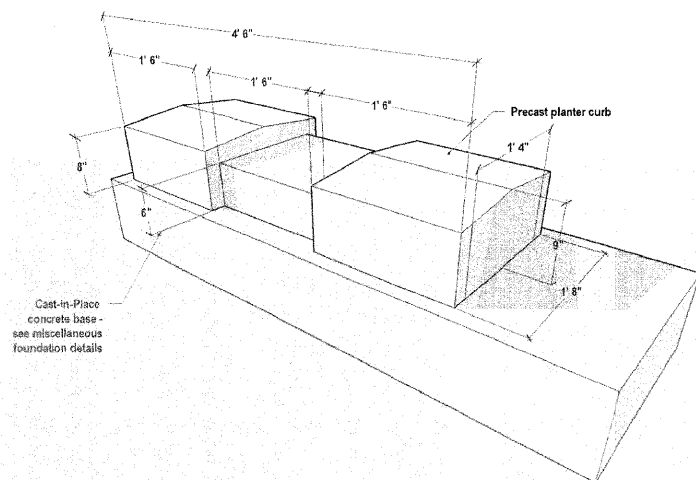
J7 TYPICAL SECTION: STONE BENCH
3/4" = 1'-0"
18'-0\"/>



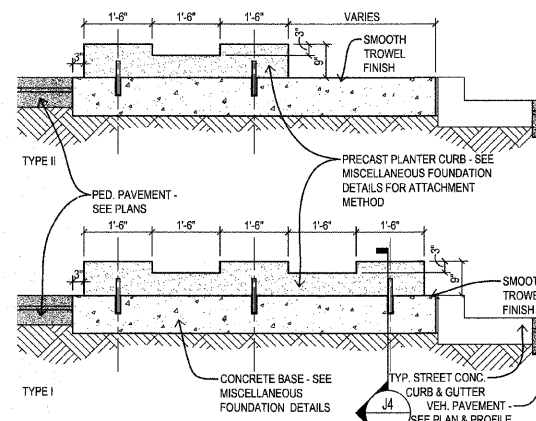
J8 TYP. TRASH / REC. RECEPTACLE ATTACHMENT DETAIL
1 1/2" = 1'-0"
SHELL-REC-11-81C1 1216



J1 PRECAST PLANTER EDGE - TYPE 'I'
N.T.S. / DO NOT SCALE



J2 PRECAST PLANTER EDGE - TYPE 'II'
N.T.S. / DO NOT SCALE



J3 PRECAST PLANTER EDGE - SIDE SECTION
1/2" = 1'-0"
CONC-CURB-9811-81C1 0417

REVISIONS	
NAME	DATE

ILLINOIS DEPARTMENT OF TRANSPORTATION
STREETScape IMPROVEMENT
DETAILS - SHEET J
FAU RTE 7982 CAPITOL AVE
SEC NO. 09-00447-03-PV
SANGAMON COUNTY, ILLINOIS

SCALE: VERT. HORIZ.
DATE: DRAWN BY: JIM
CHECKED BY: RG