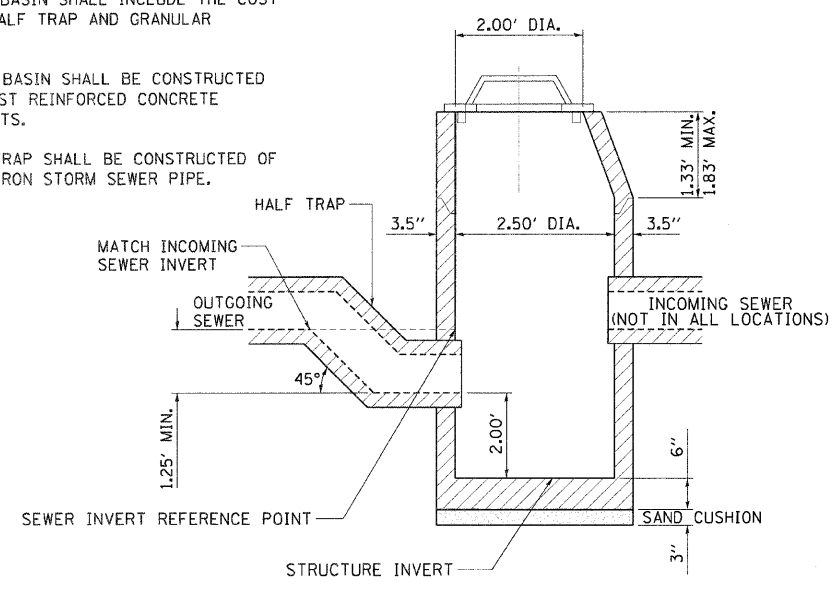
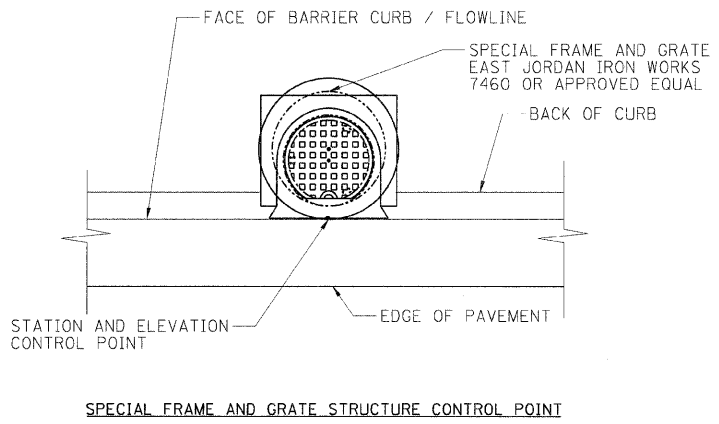


F.A.U. RTE.	SECTION	COUNTY	TOTAL SHEETS	SHEET NO.
7982	*	SANGAMON	68	52
STA.		TO STA.		
FED. ROAD DIST. NO.		ILLINOIS FED. AID PROJECT		
* 09-00447-03-PV		CITY OF SPRINGFIELD		

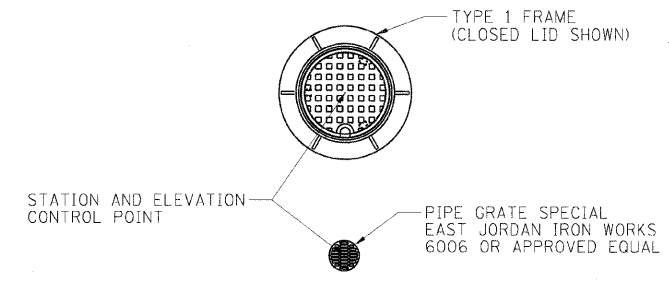
- NOTES:
- CATCH BASIN SHALL INCLUDE THE COST OF THE HALF TRAP AND GRANULAR BACKFILL.
  - CATCH BASIN SHALL BE CONSTRUCTED OF PRECAST REINFORCED CONCRETE COMPONENTS.
  - HALF TRAP SHALL BE CONSTRUCTED OF DUCTILE IRON STORM SEWER PIPE.



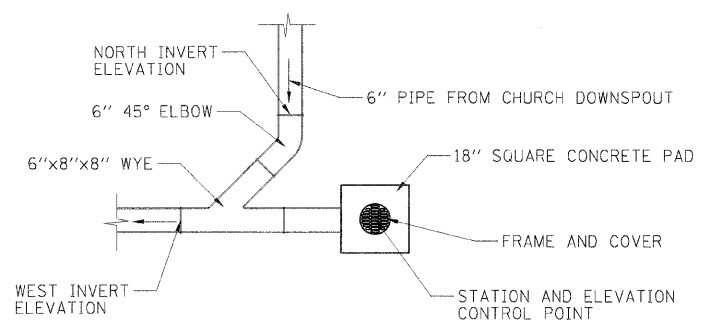
CATCH BASIN, SPECIAL



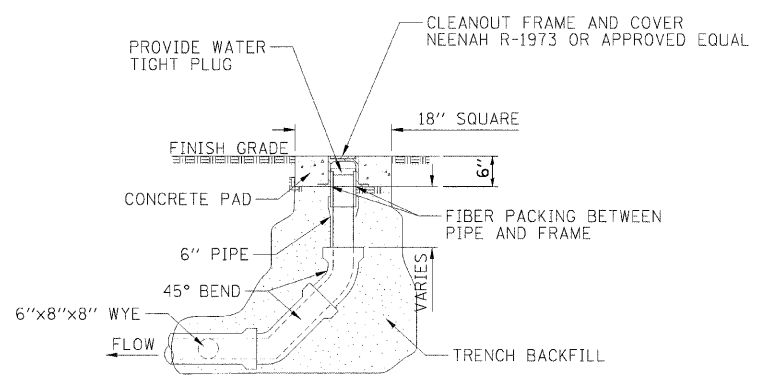
SPECIAL FRAME AND GRATE STRUCTURE CONTROL POINT



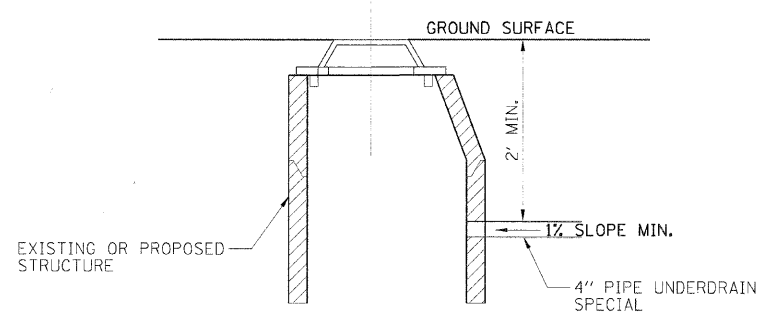
TYPE 1 FRAME STRUCTURE CONTROL POINT  
PIPE GRATE SPECIAL CONTROL POINT



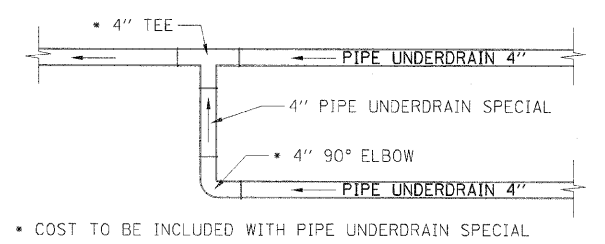
PLAN VIEW



SECTION VIEW

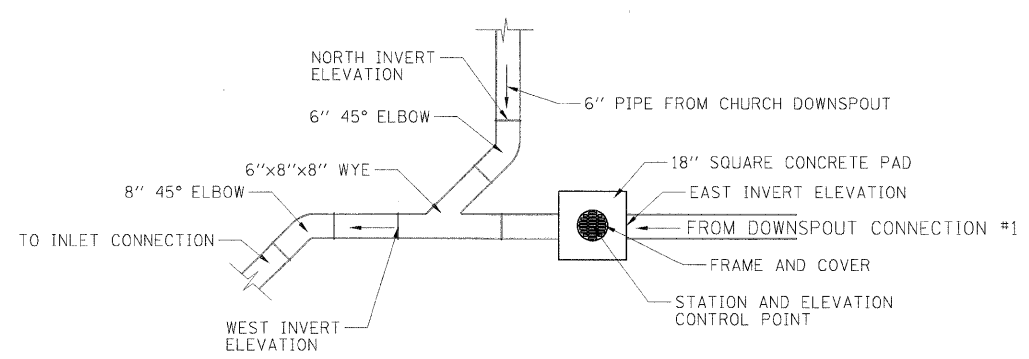


PIPE UNDERDRAIN SPECIAL STRUCTURE CONNECTION DETAIL

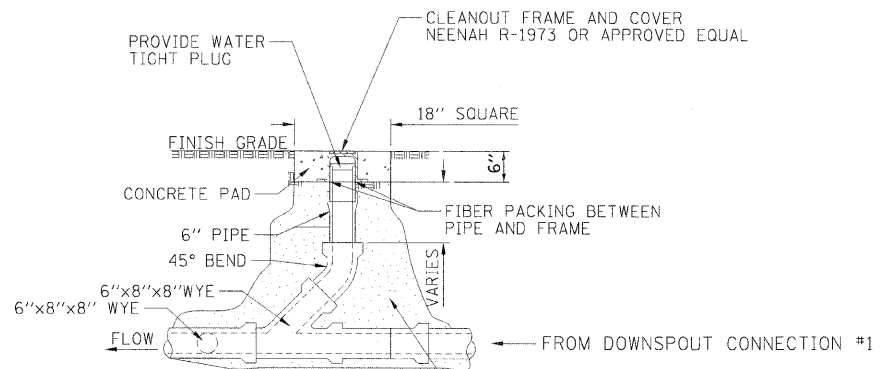


PIPE UNDERDRAIN SPECIAL UNDERDRAIN CONNECTION DETAIL

DOWNSPOUT CONNECTION DETAIL #1



PLAN VIEW



SECTION VIEW

DOWNSPOUT CONNECTION DETAIL #2

REVISIONS	
NAME	DATE

ILLINOIS DEPARTMENT OF TRANSPORTATION  
DRAINAGE DETAILS

FAU RTE 7982 CAPITOL AVE  
SEC NO. 09-00447-03-PV  
SANGAMON COUNTY, ILLINOIS

SCALE: VERT. / HORIZ. / DATE 10/9/09

DRAWN BY: DAP  
CHECKED BY: MH



LAYOUT: DAP 10/23/09  
DRAWN: DAP 10/23/09  
REVISED: MH 09/19/07

PLOT DATE: 11/23/2009  
FILE NAME: I:\ARZ\_jobs\02522611\A\CD\Road\Microstation\Sheet\Section\_2\_5\h-7\AUC-884\_DRL.DET.dgn  
PLOT SCALE: 1/8" = 1'-0"  
USER NAME: hagan09151