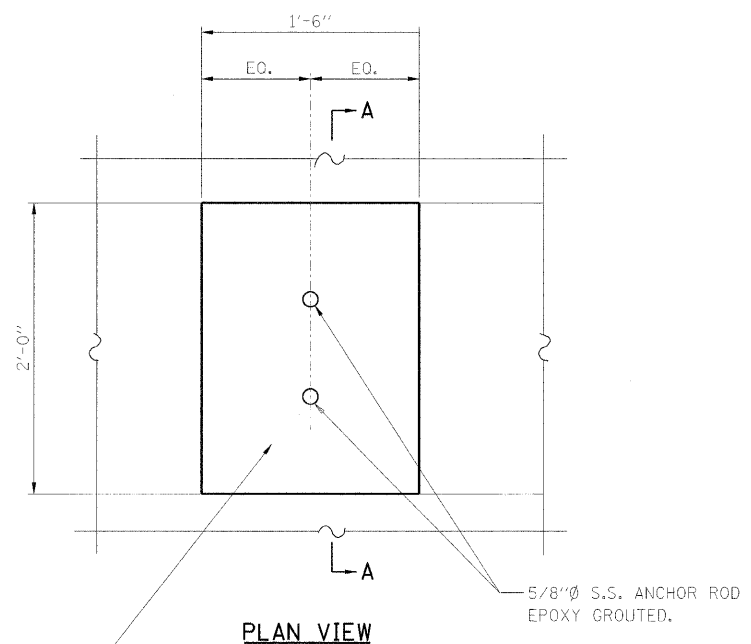


FAU RTE.	SECTION	COUNTY	TOTAL SHEETS	SHEET NO.
7982		SANGAMON	68	56
STA.		TO STA.		
FED. ROAD DIST. NO.		ILLINOIS FED. AID PROJECT		
09-00447-03-PV		CITY OF SPRINGFIELD		



PLAN VIEW

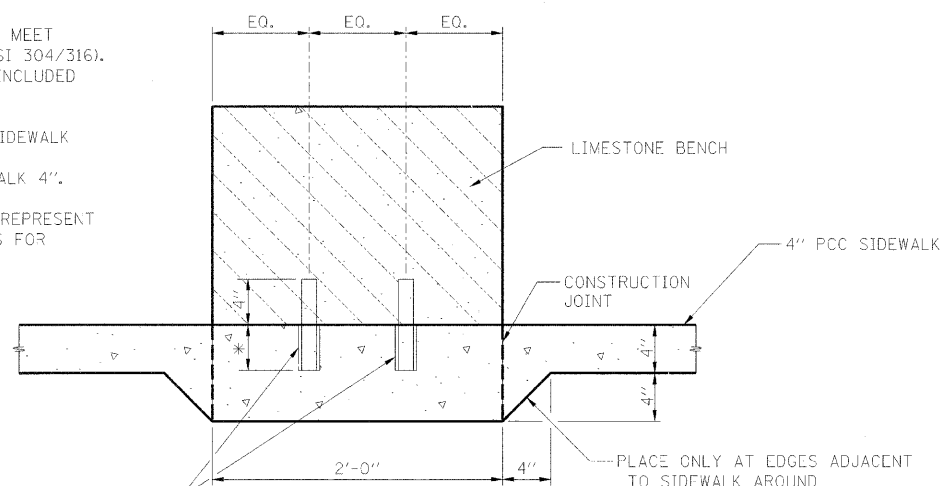
LIMESTONE BENCH (SEE STREETSCAPE DETAILS)

5/8" S.S. ANCHOR ROD EPOXY GROUTED.

NOTES:  
STAINLESS STEEL ANCHOR RODS SHALL MEET THE REQUIREMENTS OF ASTM F593 (AISI 304/316). COST OF S.S. ANCHOR ROD SHALL BE INCLUDED WITH THE LIMESTONE BENCH.

ADDITIONAL CONCRETE FOR THE PCC SIDEWALK UNDER THE PLANTER BASE SHALL BE INCLUDED IN THE COST OF PCC SIDEWALK 4".

THE DETAILS ON THIS PAGE MAY NOT REPRESENT ACTUAL CONDITIONS. SEE PLAN SHEETS FOR SURROUNDING FEATURES.



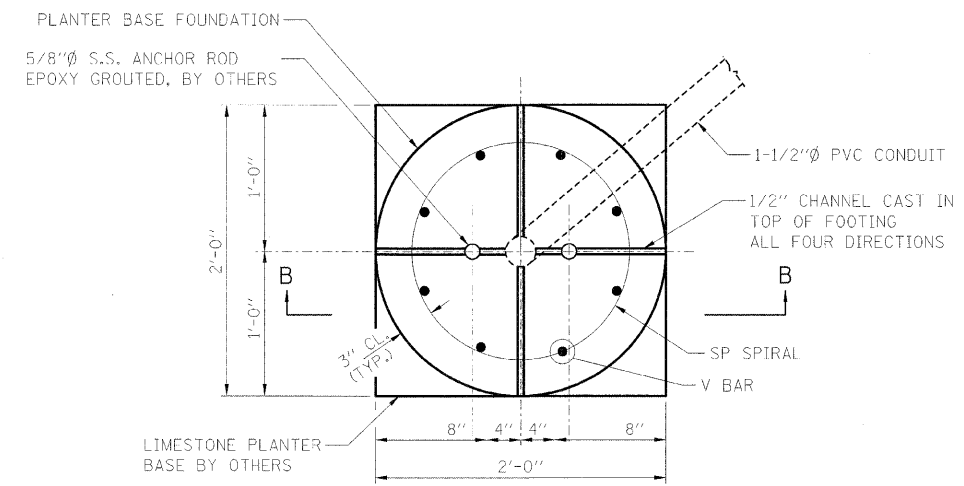
SECTION A-A

5/8" S.S. ANCHOR ROD EPOXY GROUTED.

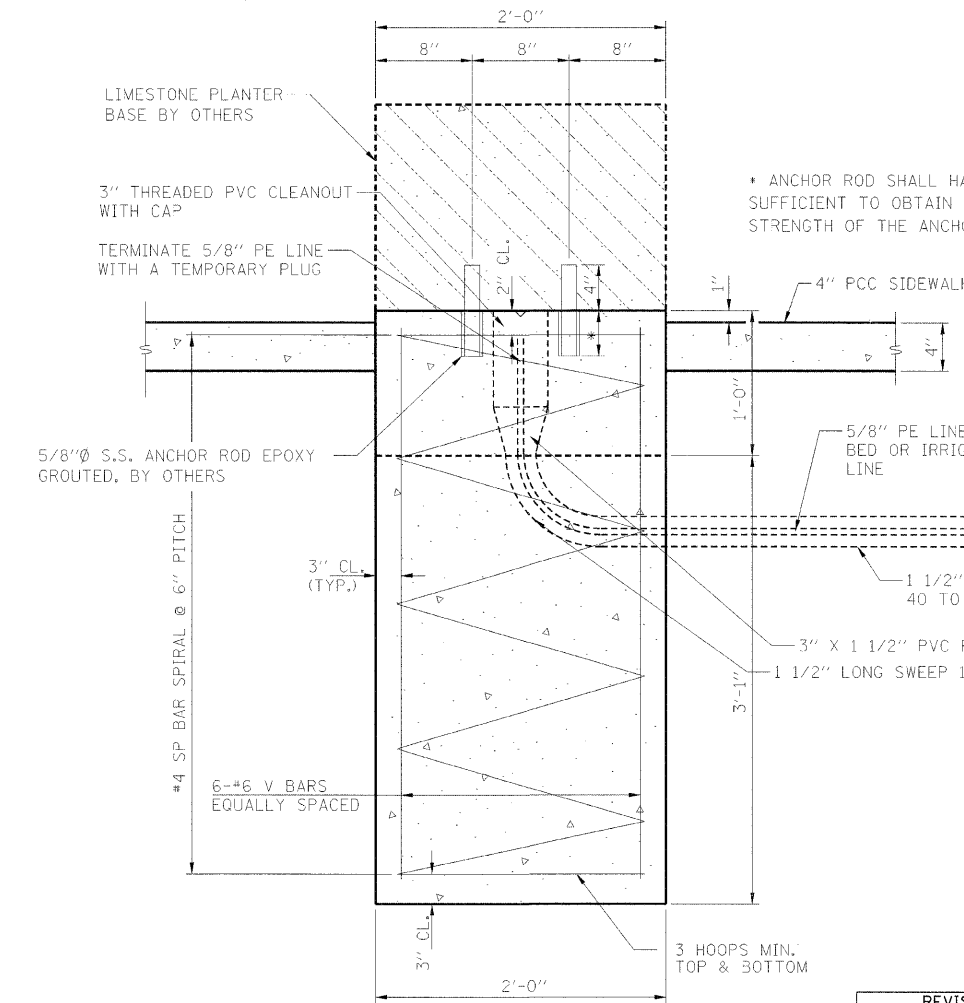
PLACE ONLY AT EDGES ADJACENT TO SIDEWALK AROUND PERIMETER OF BENCHES.

\* ANCHOR ROD SHALL HAVE AN EMBEDMENT SUFFICIENT TO OBTAIN 1.25 X THE YIELD STRENGTH OF THE ANCHOR ROD.

LIMESTONE BENCH ANCHORAGE DETAILS



PLAN VIEW



SECTION B-B

DRILLED SHAFT CONCRETE FOUNDATION FOR LIMESTONE PLANTER

NOTES:  
STAINLESS STEEL ANCHOR RODS SHALL MEET THE REQUIREMENTS OF ASTM F593 (AISI 304/316). COST OF S.S. ANCHOR ROD SHALL BE INCLUDED WITH THE LIMESTONE PLANTER. THIS WORK SHALL BE COMPLETED BY OTHERS.

THE DETAILS ON THIS PAGE MAY NOT REPRESENT ACTUAL CONDITIONS. SEE PLAN SHEETS FOR SURROUNDING FEATURES.

COST OF PVC CONDUIT SHALL BE INCLUDED WITH DRILLED SHAFT CONCRETE FOUNDATION.

SEE STREETSCAPE PLANS FOR LOCATIONS.

\* ANCHOR ROD SHALL HAVE AN EMBEDMENT SUFFICIENT TO OBTAIN 1.25 X THE YIELD STRENGTH OF THE ANCHOR ROD.

MIN. BAR LAPS

#4 SPIRALS: 2'-0"

BILL OF MATERIAL

ONE DRILLED SHAFT FOUNDATION ONLY

BAR	NO.	SIZE	LENGTH	SHAPE
SP	1	#4	3'-8"	W
V	6	#6	3'-9"	W
DRILLED SHAFT CONCRETE FOUNDATION		CU.YD.	0.5	
REINFORCEMENT BARS		POUND	80	

\*\* LENGTH IS HEIGHT OF SPIRAL  
15 DRILLED SHAFT CONCRETE FOUNDATIONS FOR LIMESTONE PLANTERS REQUIRED.

REVISIONS	
NAME	DATE

ILLINOIS DEPARTMENT OF TRANSPORTATION  
MISCELLANEOUS ANCHORAGE DETAILS  
FAU RTE 7982 CAPITOL AVE  
SEC NO. 09-00447-03-PV  
SANGAMON COUNTY, ILLINOIS

SCALE: VERT. HORIZ. DATE 10/9/09  
DRAWN BY DAB  
CHECKED BY MNM



LAYOUT BAR 11/27/07  
DRAWN BAR 11/27/07  
REVIEWED MNA 11/27/07  
PLOT DATE = 11/23/2009  
PLOT SCALE = 1/4" = 1'-0"  
USER NAME = Hagan00951