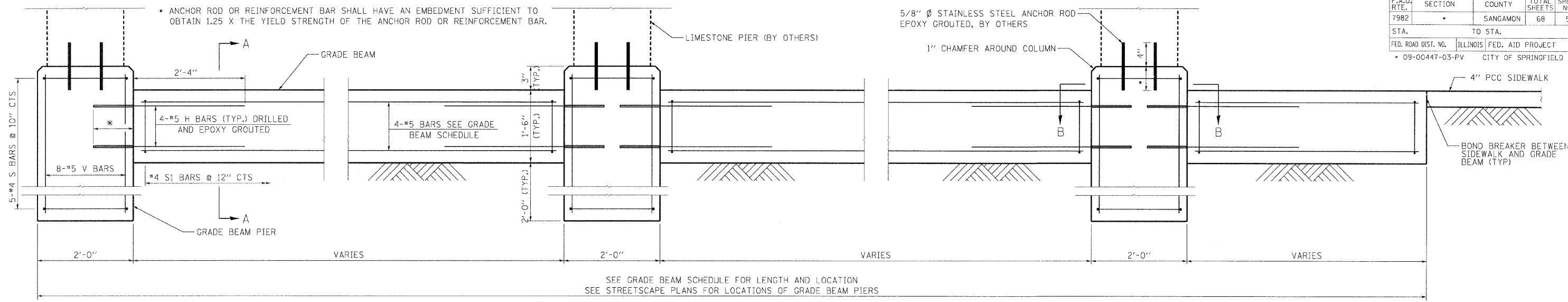
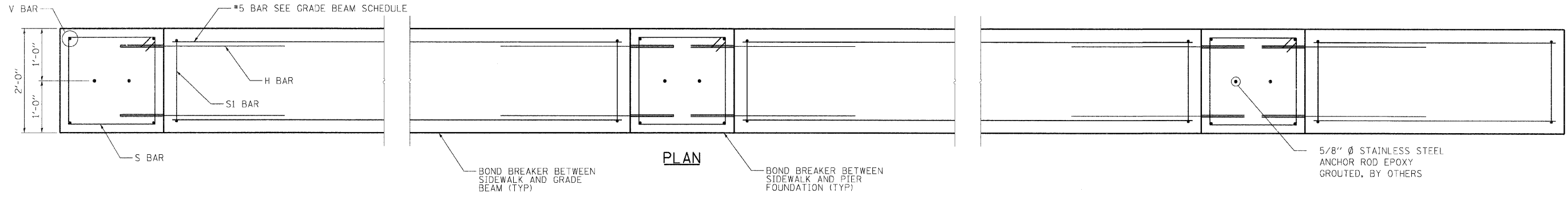


F.A.U. RTE.	SECTION	COUNTY	TOTAL SHEETS	SHEET NO.
7982	*	SANGAMON	68	57
STA.		TO STA.		
FED. ROAD DIST. NO.		ILLINOIS FED. AID PROJECT		
09-00447-03-PV		CITY OF SPRINGFIELD		



ELEVATION



PLAN

GRADE BEAM SCHEDULE									
OFFSET	FROM STA.	TO STA.	LENGTH FEET	#5 H BAR (LENGTH=3'-2\") EACH	#5 BAR (4 EACH) FEET IN	#4 S1 BAR (LENGTH=4'-3\") EACH	REINFORCEMENT BARS POUNDS	CONCRETE STRUCTURES CU YD	STRUCTURE EXCAVATION CU YD
RT	48+15.39	48+25.71	10.32	4	10 0	11	86	1.1	3
RT	48+27.71	48+47.71	20.00	8	19 8	21	168	2.2	7
RT	48+49.71	48+69.71	20.00	8	19 8	21	168	2.2	7
RT	48+71.71	48+91.71	20.00	8	19 8	21	168	2.2	7
RT	48+93.71	49+13.71	20.00	8	19 8	21	168	2.2	7
RT	49+15.71	49+25.71	10.00	4	9 8	11	85	1.1	3
TOTAL GRADE BEAM QUANTITIES							850	11.1	33

MIN. BAR LAPS

#5 BAR: 2'-2"

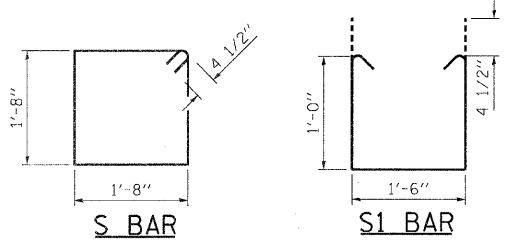
NOTES:
STAINLESS STEEL ANCHOR RODS SHALL MEET THE REQUIREMENTS OF ASTM F593 (AISI 304/316). COST OF STAINLESS STEEL ANCHOR ROD SHALL BE INCLUDED WITH THE ORNAMENTAL FENCE.

SEE GRADE BEAM SCHEDULE AND STREETSCAPE PLANS FOR LOCATIONS OF ORNAMENTAL FENCE FOUNDATIONS.

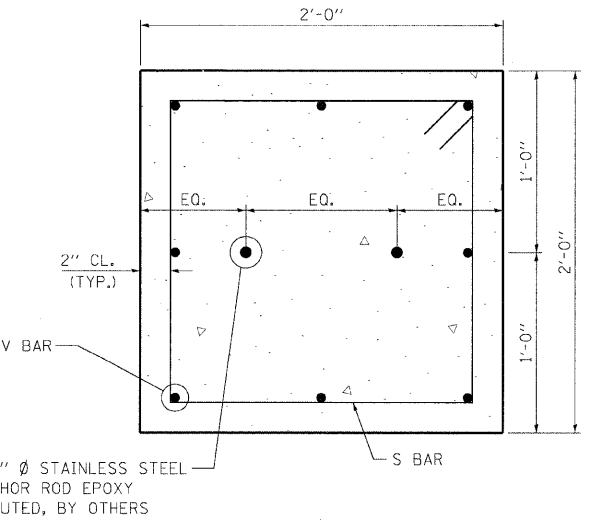
BILL OF MATERIAL ONE GRADE BEAM PIER

BAR	NO.	SIZE	LENGTH	SHAPE
S	5	#4	7'-5"	□
V	8	#5	3'-5"	—
Reinforcement Bars		Pounds	50	
Concrete Structures		Cu. Yd.	0.6	
Structure Excavation		Cu. Yd.	3	

5 Grade Beam Piers Required.



GRADE BEAM SECTION A-A



GRADE BEAM PIER SECTION B-B

EQ. = EQUAL SPACING

REVISIONS	
NAME	DATE

ILLINOIS DEPARTMENT OF TRANSPORTATION
ORNAMENTAL FENCE FOUNDATION
FAU RTE 7982 CAPITOL AVE
SEC NO. 09-00447-03-PV
SANGAMON COUNTY, ILLINOIS

SCALE: VERT. HORIZ. DATE 10/9/09
DRAWN BY DAB
CHECKED BY MNM



LAYOUT: MM 11/27/07
DRAWN: DAB 11/27/07
REVIEWED: MM 11/27/07
PLOT DATE: 11/23/2009
PLOT SCALE: 1/8\"/>