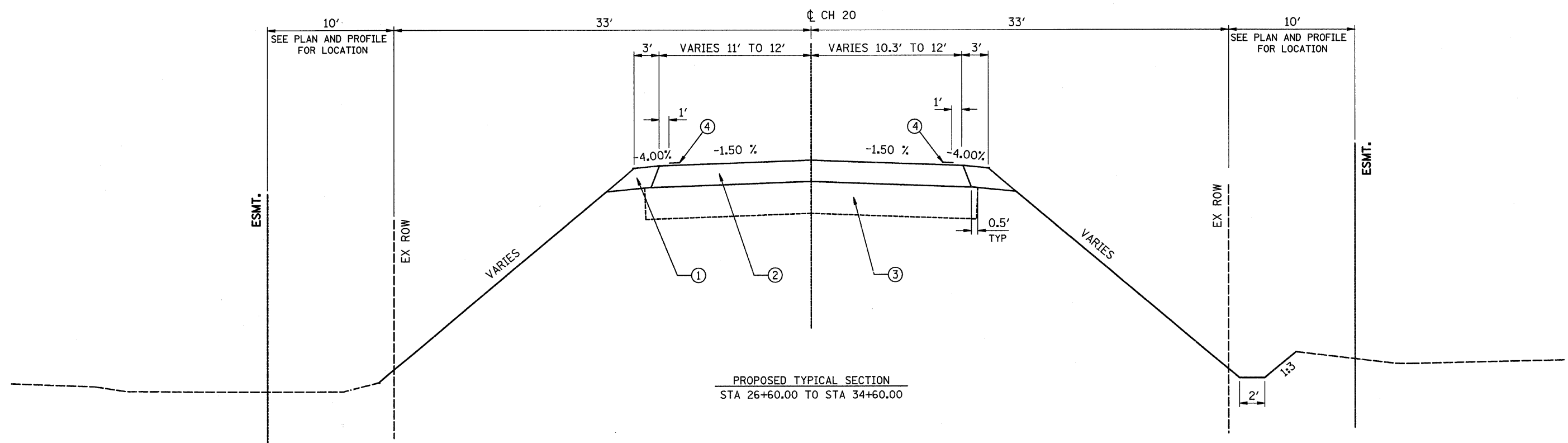
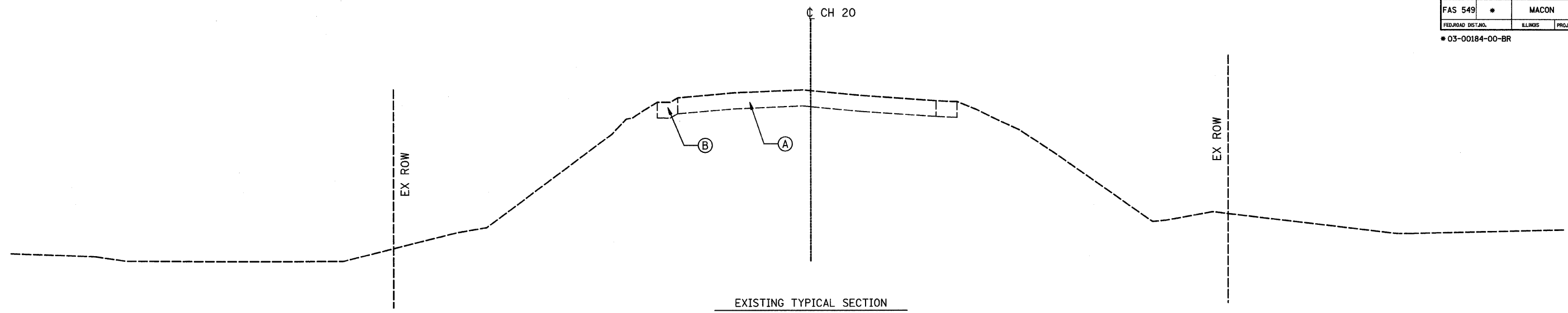


ROUTE NO.	SECTION	COUNTY	TOTAL SHEETS	SHEET NO.
FAS 549	*	MACON	52	4
FED. ROAD DIST. NO.	ILLINOIS	PROJECT		

\* 03-00184-00-BR



- Ⓐ EXISTING PAVEMENT (2" HMA & 8" BAM)
- Ⓑ EXISTING AGGREGATE SHOULDERS
- ① AGGREGATE SHOULDERS TYPE B
- ② HOT MIX ASPHALT PAVEMENT (FULL DEPTH), 8"
- ③ PROCESSING MODIFIED SOIL 12"
- ④ PAINT PAVEMENT MARKING LINE 4"

REVISIONS			SECTION 03-00184-00-BR CH 20 OVER STEVENS CR		DRAWN BY DATE
No.	DATE	INITIALS	MACON COUNTY		DLB 7/09
1					CAS 7/09
2					BOOK NUMBER
3					259
4					PROJECT No.
5					4901
6					SHEET No.
7					
8					
9					
10					

**HOMER L. CHASTAIN & ASSOCIATES, LLP**  
CONSULTING ENGINEERS  
184-00197

DECATUR CHICAGO  
(317) 422-8544 (773) 714-0050  
ROCKFORD  
(815) 489-0050