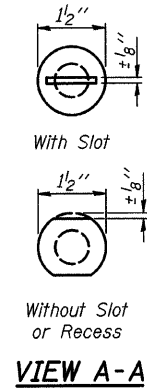
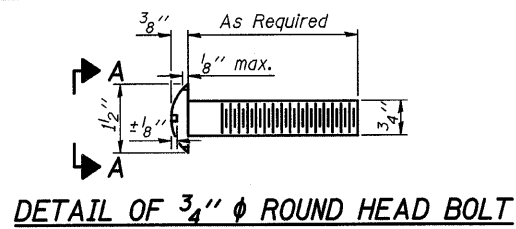
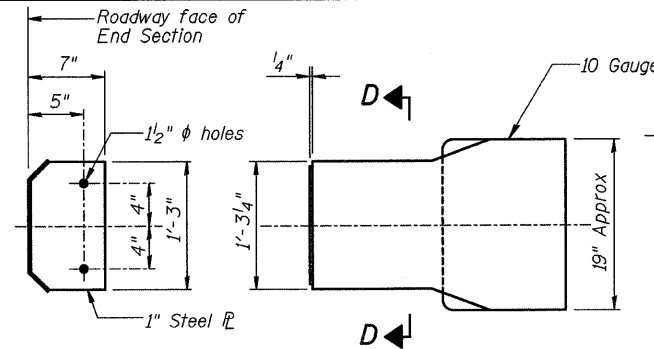


ROUTE NO.	SECTION	COUNTY	TOTAL SHEETS	SHEET NO.
FAS 549	*	MACON	52	15
FED. ROAD DIST. NO. 7		ILLINOIS	PROJECT	

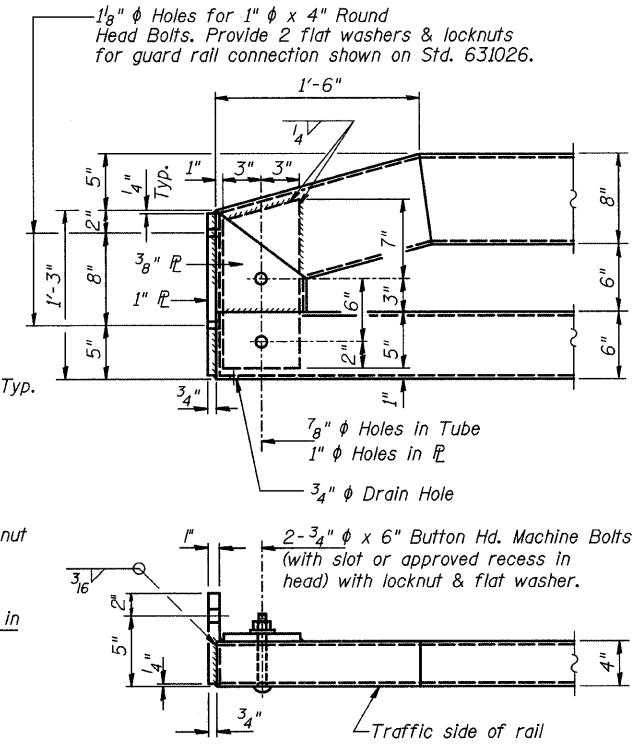
*03-00184-00-BR



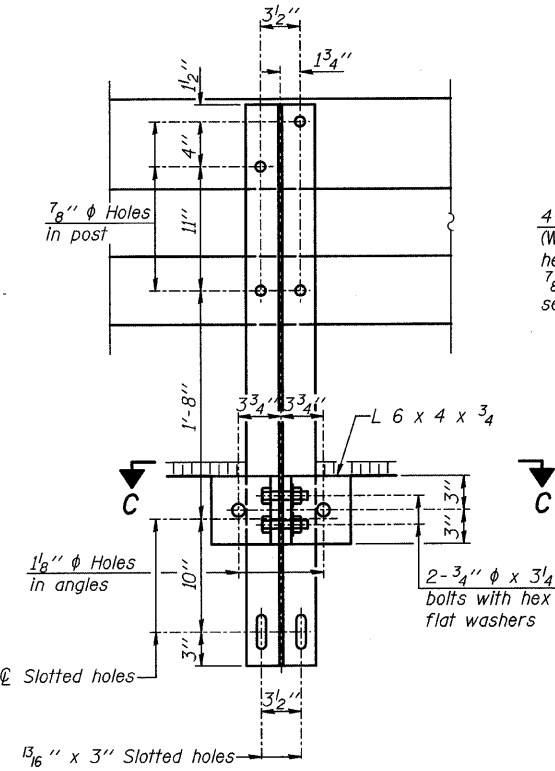
4-3/4" ϕ x 6" Round Head Bolts (With slot or approved recess in head) with locknut & flat washer. 7/8" ϕ holes in hollow structural section may be drilled in the field.



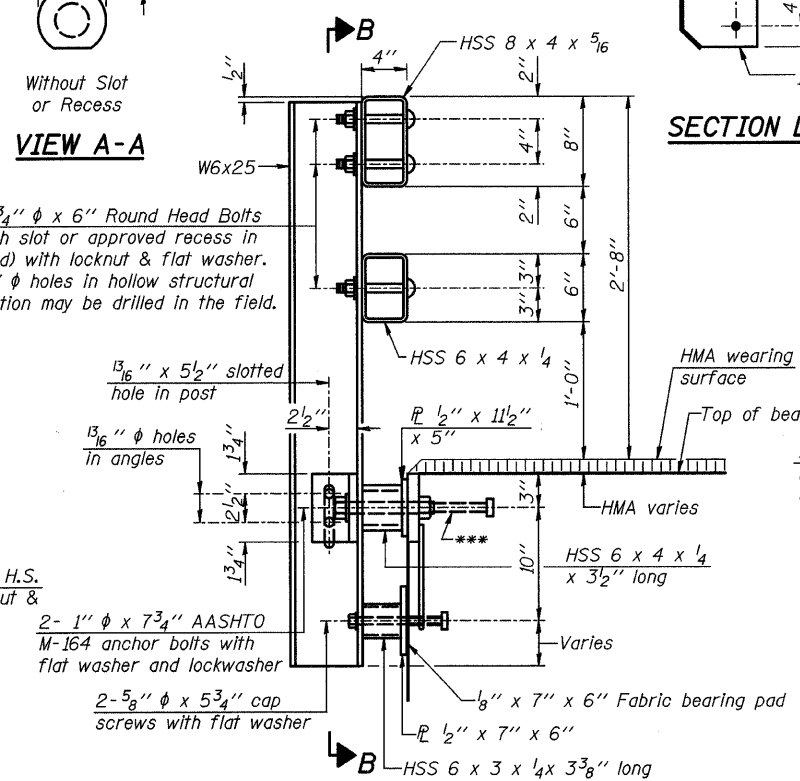
SECTION D-D
DETAILS OF CURLED END SECTION
(Cost included with Steel Railing, Type SM)



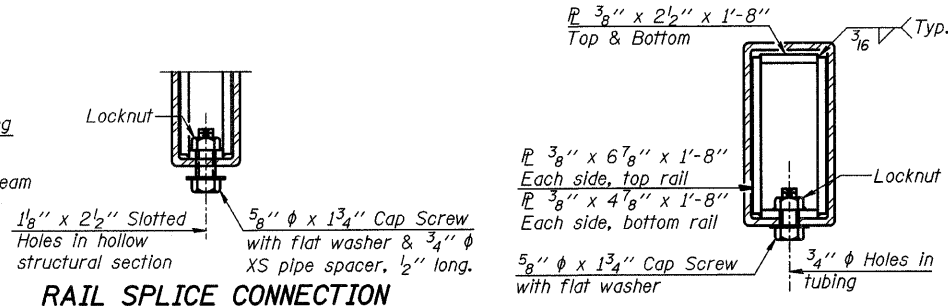
END OF RAIL DETAILS



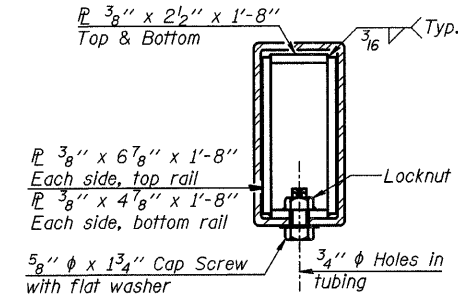
SECTION B-B



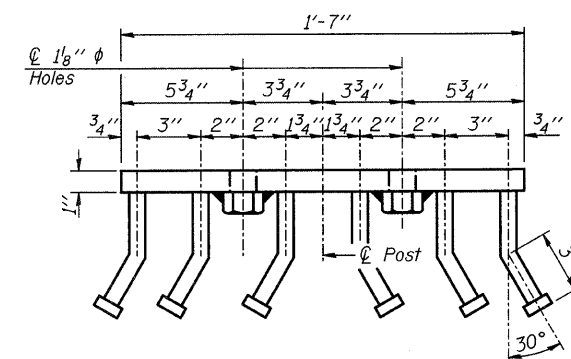
SECTION AT RAIL POST



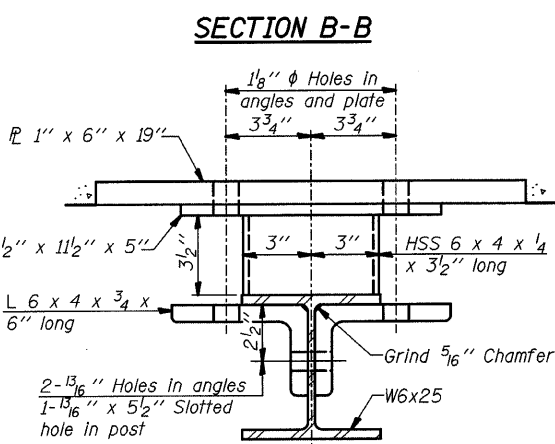
RAIL SPLICE CONNECTION AT EXPANSION JT.



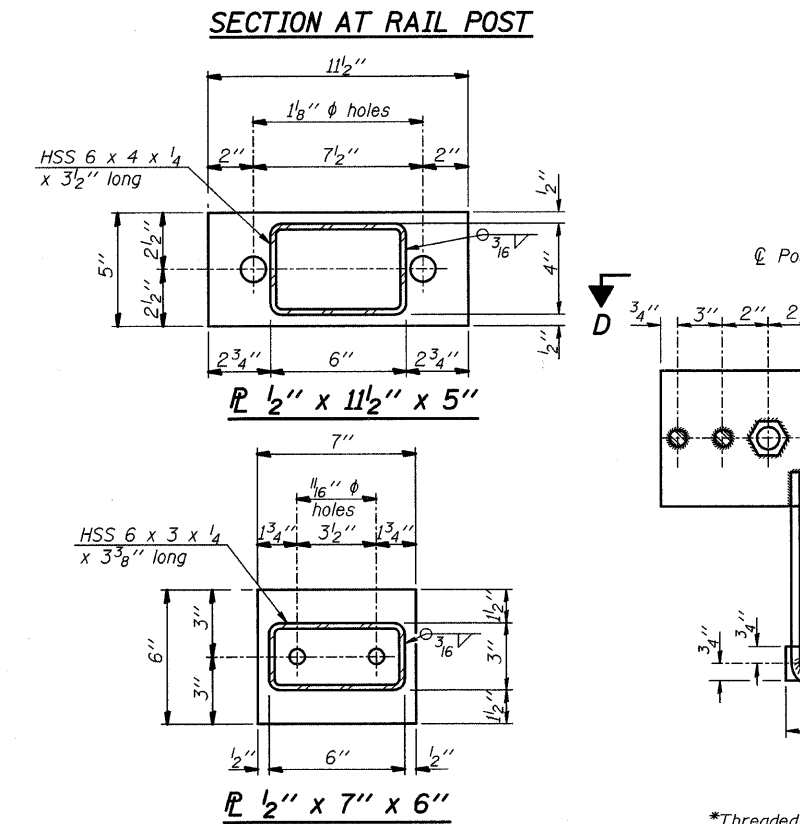
SECTION AT RAIL SPLICE



VIEW D-D



SECTION C-C



ANCHOR DEVICE

*Threaded areas shall be plugged or blocked off during casting of beam. Galvanized after fabrication.

Notes:
All field drilled holes shall be coated with an approved zinc rich paint before erection.
For multi-span bridges, sufficient 1/4" x 6" x 1'-2" galvanized steel shims shall be provided to align rail between adjacent spans. Cost included with Steel Railing, Type SM.
All steel rail members shall be galvanized according to Article 509.05 of the Standard Specifications.
*** The studs of the anchor devices shall be placed below the top reinforcement bars and the outermost longitudinal reinforcement bar shall be placed directly above the studs of the rail post anchor device.

**Whenever the lower insert assemblies interfere with strand locations, the #3 bars shall be cut and adjusted in order to allow raising or lowering of the lower inserts. Maximum adjustment not to exceed 1/2".

BILL OF MATERIAL

Item	Unit	Quantity
Steel Railing, Type SM	Foot	138

CH 20 OVER TRIBUTARY TO STEVENS CREEK

STEEL RAILING, TYPE SM WITH HMA WEARING SURFACE

REVISIONS	CH 20	SECTION 03-00184-00-BR	DRAWN BY DATE
1		SN 058-3370	R KING 6/09
2			CHECKED BY DATE
3			JMB 6/09
4			BOOK NUMBER
5			
6			PROJECT NO.
7			4901
8			SHEET NO.
9			
10			

HOMER L. CHASTAIN & ASSOCIATES, LLP
CONSULTING ENGINEERS
184-00187

DECATUR CHICAGO
(317) 422-8644 (773) 714-0050

ROCKFORD
(815) 489-0050