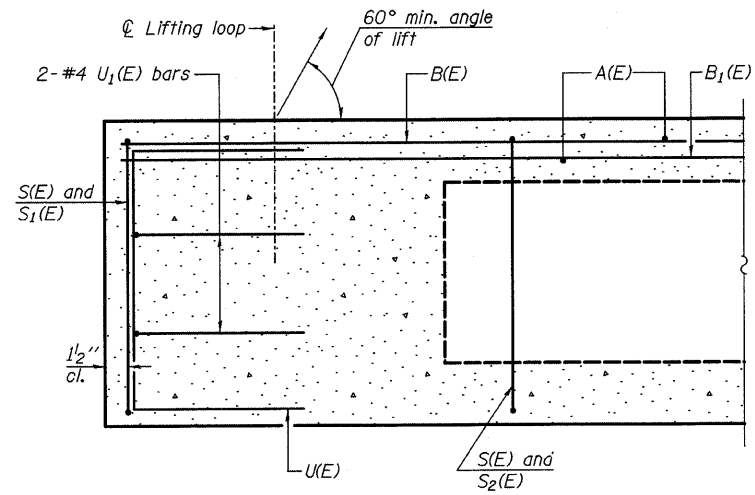
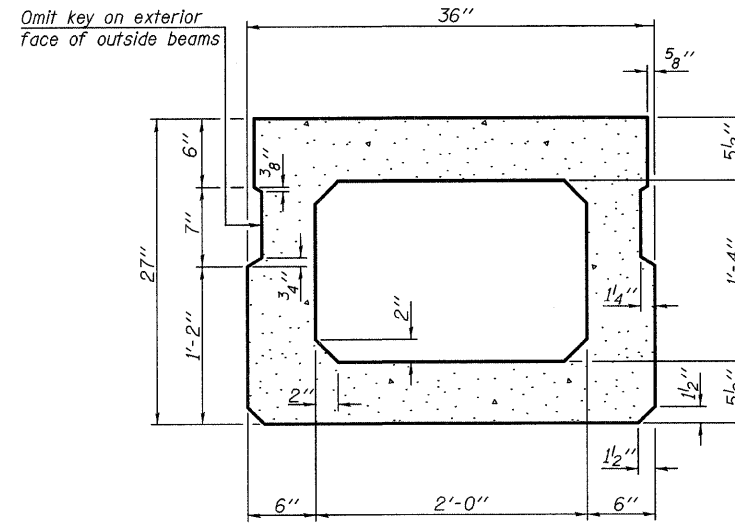


ROUTE NO.	SECTION	COUNTY	TOTAL SHEETS	SHEET NO.
FAS 549	*	MACON	52	23
FED. ROAD DIST. NO. 7	ILLINOIS	PROJECT		

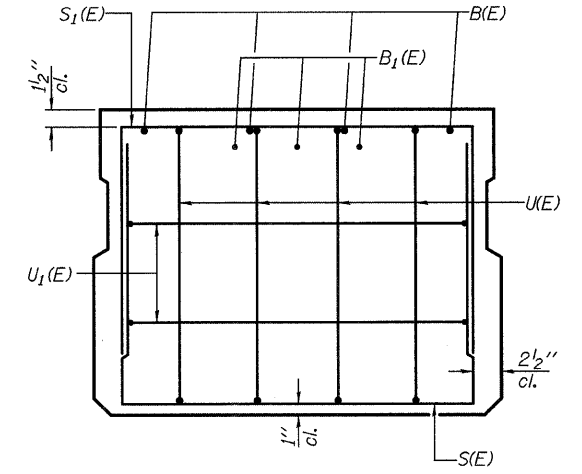
*03-00184-00-BR



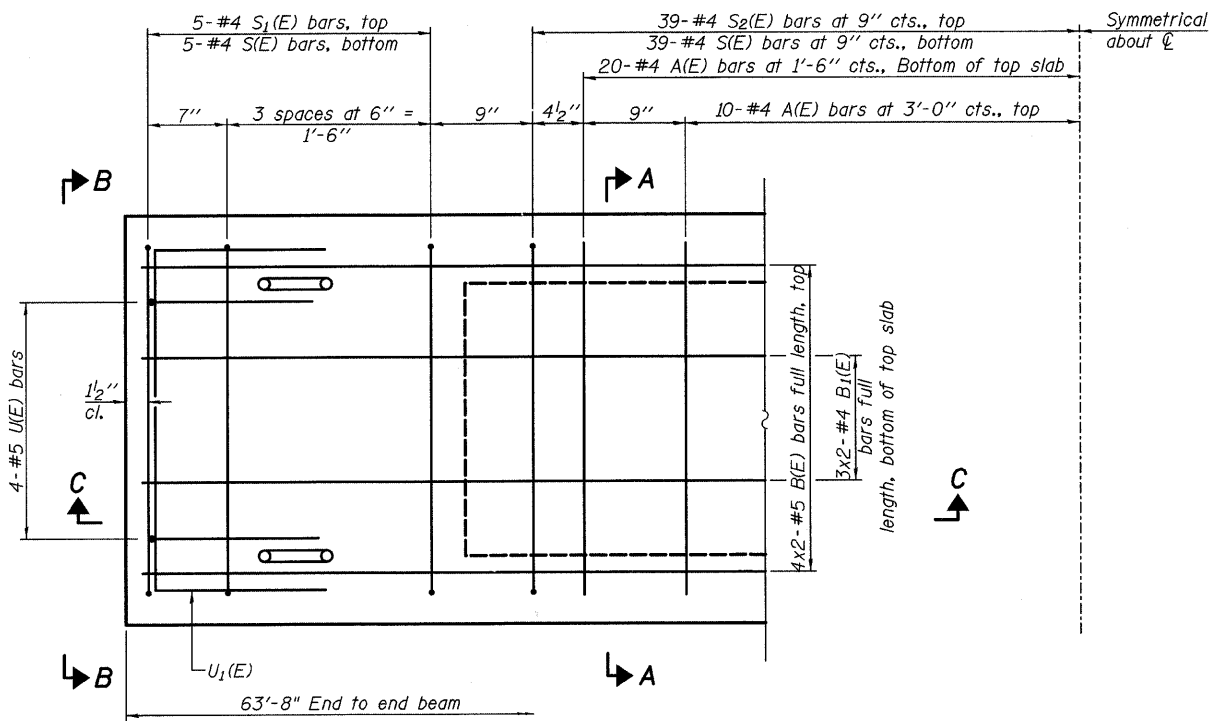
SECTION C-C



SECTION A-A
(Showing dimensions)

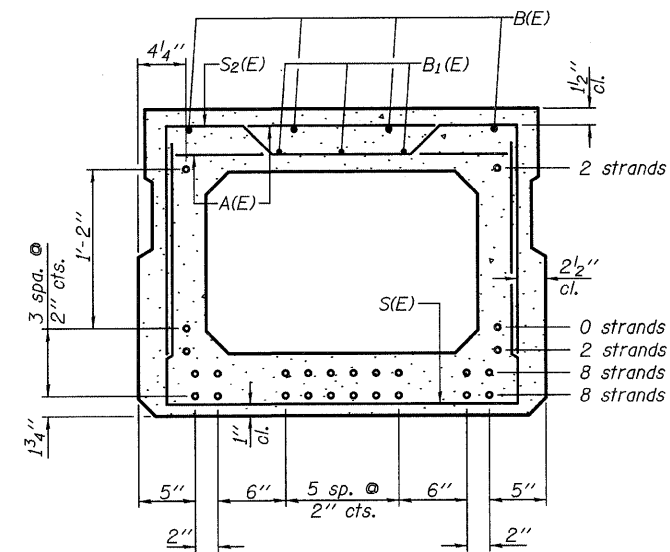


VIEW B-B



PLAN VIEW

Note: Spacing of S(E) and S2(E) bars may be adjusted up to 4" in the immediate area of the transverse tie diaphragms to miss the block outs for the transverse ties.



SECTION A-A

(Showing reinforcement and permissible strand locations)
Note: Place the number of strands specified in each row symmetrically about the centerline of beam in the permissible strand locations shown.

BAR LIST
ONE BEAM ONLY

(For information only)

Bar	No.	Size	Length	Shape
A(E)	59	#4	2'-7"	—
B(E)	8	#5	32'-10"	—
B1(E)	6	#4	32'-7"	—
S(E)	88	#4	6'-5"	U
S1(E)	10	#4	5'-11"	U
S2(E)	78	#4	6'-2"	U
U(E)	8	#5	4'-6"	U
U1(E)	4	#4	5'-0"	U

Note: See sheet 4 of 8 for additional details and Bill of Material.

The top surface of the beams shall be finished according to Article 504.06 of the Standard Specifications except that the surface shall not be roughened by brooming. The finished surface shall be free of depressions or high spots with sharp corners, and the top edge of keys shall be rounded or chamfered a minimum of 1/4".

CH 20 OVER STEVENS CREEK

27" X 36" PPC DECK BEAM DETAILS

REVISIONS		CH 20	SECTION 03-00184-00-BR	DRAWN BY DATE
1	DATE INITIALS	MACON	SN 058-3371	R KING 6/09
2			COUNTY	CHECKED BY DATE
3				JMB 6/09
4				BOOK NUMBER
5				
6				
7				
8				
9				
10				

HOMER L. CHASTAIN & ASSOCIATES, LLP
CONSULTING ENGINEERS

DECATUR CHICAGO
(317) 422-8544 (773) 714-0050
ROCKFORD
(815) 489-0050

PROJECT NO.
4901
SHEET NO.