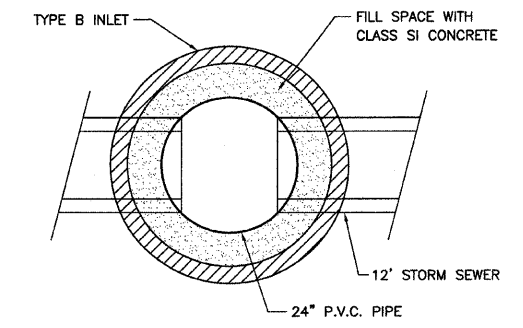


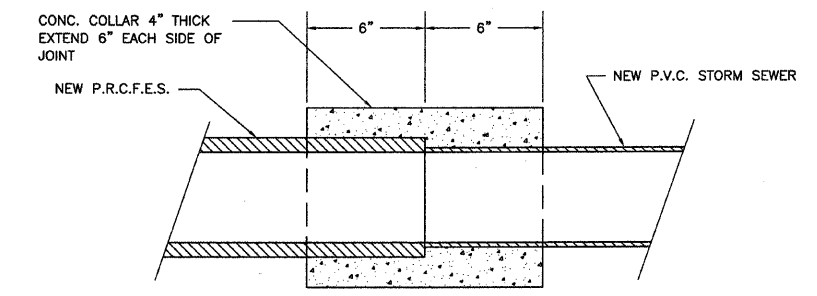
ROUTE	SECTION	CITY	TOTAL SHEETS	SHEET NO.
F.A.U. 8484	09-00080-00-PV	OLNEY	19	4
CONTRACT NO, 95615		ILLINOIS		

DRAINAGE STRUCTURES					
NO.	DIST.	STA.	ITEM	GRATE	INV.
1	52' LT.	0+38	CONNECT TO EXIST. STORM SEWER	-	480.50
2	19' LT.	0+38	M.H. TY-A, 5' DIA., W/TY-1 FR&CL L	485.33	481.29
3	18' LT.	1+10	INLET TY-A, W/TY-23 F&G	488.05	483.53
4	18' RT.	1+10	INLET TY-A, W/TY-23 F&G	488.05	483.88
5	22' LT.	1+90	PIPE TEE, 18" P. 12" R.	-	484.76
6	22' LT.	1+90	INLET TY-A, W/SALVAGED GR.	487.80	484.82
7	22' LT.	1+94	PIPE TEE, 18" P. 12" R.	-	484.86
8	18' LT.	1+94	INLET TY-A, W/TY-23 F&G	487.85	485.16
9	18' RT.	1+94	INLET TY-A, W/TY-23 F&G	487.85	485.51
10	22' LT.	2+90	PIPE TEE, 18" P. 12" R.	-	487.04
11	18' LT.	2+90	INLET TY-A, W/TY-23 F&G	489.90	487.34
12	18' RT.	2+90	INLET TY-A, W/TY-23 F&G	489.90	487.69
13	27.5' RT.	3+34	INLET TY-A, W/TY-8 GR	490.50	488.14
14	27' RT.	3+70	INLET TY-A, W/SALVAGED GR.	490.70	488.50
15	22' LT.	3+23	PIPE TEE, 18" P. 12" R.	-	487.80
16	28' LT.	3+23	P.R.C.F.E.S. 12"	-	490.00
17	22' LT.	3+80	M.H. TY-A, 4' DIA., W/TY-1 FR&CL L	492.30	489.00
18	18' LT.	3+80	INLET TY-A, W/TY-23 F&G	491.93	489.05
19	18' RT.	3+80	INLET TY-A, W/TY-23 F&G	491.93	489.40
20	22' LT.	4+40	PIPE TEE, 15" P. 12" R.	-	490.67
21	45' LT.	4+40	INLET TY-A, W/SALVAGED GR.	494.50	491.02
22	22' LT.	4+78	PIPE TEE, 15" P. 12" R.	-	491.65
23	45' LT.	4+78	INLET TY-A, W/TY-8 GR	495.00	492.00
24	22' LT.	4+96	PIPE TEE, 15" P. 12" R.	-	492.11
25	18' LT.	4+96	INLET TY-A, W/TY-23 F&G	495.47	492.28
26	18' RT.	4+96	INLET TY-A, W/TY-23 F&G	495.47	492.63
27	22' LT.	5+51	PIPE TEE, 15" P. 12" R.	-	493.52
28	27.5' LT.	5+51	INLET TY-A, W/TY-8 GR	497.30	493.70
29	22' LT.	5+75	PIPE TEE, 15" P. 12" R.	-	494.14
30	18' LT.	5+75	INLET TY-A, W/TY-23 F&G	497.45	494.31
31	18' RT.	5+75	INLET TY-A, W/TY-23 F&G	497.45	494.66
32	22' LT.	6+20	PIPE TEE, 15" P. 12" R.	-	495.30
33	18' LT.	6+20	INLET TY-A, W/TY-23 F&G	498.57	495.47
34	18' RT.	6+20	INLET TY-A, W/TY-23 F&G	498.57	495.82
35	22' LT.	6+66	PIPE TEE, 15" P. 12" R.	-	496.48
36	18' LT.	6+66	INLET TY-A, W/TY-23 F&G	499.71	496.65
37	18' RT.	6+66	INLET TY-A, W/TY-23 F&G	499.71	497.00
38	22' LT.	7+12	PIPE TEE, 15" P. 12" R.	-	497.66
39	18' LT.	7+12	INLET TY-A, W/TY-23 F&G	500.86	497.83
40	18' RT.	7+12	INLET TY-A, W/TY-23 F&G	500.86	498.18
41	22' LT.	7+64	M.H. TY-A, 4' DIA., W/TY-1 FR&CL L	502.45	499.00
42	18' LT.	7+64	INLET TY-A, W/TY-23 F&G	502.36	499.05
43	18' RT.	7+64	INLET TY-A, W/TY-23 F&G	502.36	499.40
44	22' LT.	8+38	PIPE TEE, 12" P. 12" R.	-	499.89
45	18' LT.	8+38	INLET TY-A, W/TY-23 F&G	503.31	499.94
46	18' RT.	8+38	INLET TY-A, W/TY-23 F&G	503.31	500.29
47	22' LT.	8+97	PIPE TEE, 12" P. 12" R.	-	500.60
48	27.5' LT.	8+97	INLET TY-A, W/TY-8 GR	503.60	500.66
49	22' LT.	9+03	PIPE TEE, 12" P. 12" R.	-	500.67
50	18' LT.	9+03	INLET TY-A, W/TY-23 F&G	503.70	500.72
51	18' RT.	9+03	INLET TY-A, W/TY-23 F&G	503.70	501.07
52	22' LT.	9+68	PIPE TEE, 12" P. 12" R.	-	501.45
53	18' LT.	9+68	INLET TY-A, W/TY-23 F&G	504.42	501.50
54	18' RT.	9+68	INLET TY-A, W/TY-23 F&G	504.42	501.85
55	22' LT.	10+33	PIPE TEE, 12" P. 12" R.	-	502.23
56	18' LT.	10+33	INLET TY-A, W/TY-23 F&G	505.13	502.28
57	18' RT.	10+33	INLET TY-A, W/TY-23 F&G	505.13	502.63
58	27.5' RT.	10+06	INLET TY-A, W/TY-8 GR	505.00	502.90
59	22' LT.	10+50	PIPE TEE, 12" P. 12" R.	-	502.43
60	27.5' LT.	10+50	INLET TY-A, W/TY-8 GR	505.00	502.50
61	22' LT.	10+98	M.H. TY-A, 4' DIA., W/TY-1 FR&CL L	506.28	503.00
62	18' LT.	10+98	INLET TY-A, W/TY-23 F&G	505.73	503.05
63	18' RT.	10+98	INLET TY-A, W/TY-23 F&G	505.73	503.40
64	27.5' LT.	11+02	INLET TY-A, W/TY-8 GR	506.50	503.06
65	27.5' LT.	11+47	INLET TY-A, W/TY-8 GR	505.75	503.52
66	22' LT.	11+96	M.H. TY-A, 4' DIA., W/TY-1 FR&CL L	506.35	502.94
67	27.5' LT.	11+96	INLET TY-A, W/TY-8 GR	505.60	503.00
68	27.5' LT.	12+42	INLET TY-A, W/TY-8 GR	505.60	502.53
69	22' LT.	12+42	PIPE TEE, 12" P. 12" R.	-	502.47
70	22' LT.	12+51	PIPE TEE, 12" P. 12" R.	-	502.44
71	18' LT.	12+51	INLET TY-A, W/TY-23 F&G	505.59	501.93
72	22' LT.	12+93	PIPE TEE, 12" P. 12" R.	-	501.93
73	18' LT.	12+93	INLET TY-A, W/TY-23 F&G	505.43	501.98
74	22' LT.	13+04	PIPE TEE, 12" P. 12" R.	-	501.81
75	27.5' LT.	13+04	INLET TY-A, W/TY-8 GR	505.60	501.87
76	22' LT.	13+31	PIPE TEE, 12" P. 12" R.	-	501.51
77	18' LT.	13+31	INLET TY-A, W/TY-23 F&G	505.29	501.56
78	22' LT.	13+61	INLET SPL., W/TY-23 F&G	504.90	501.17
79	18' RT.	12+51	INLET TY-A, W/TY-23 F&G	505.59	502.85
80	22' RT.	12+93	INLET SPL., W/TY-8 GR	505.50	502.57
81	18' RT.	12+93	INLET TY-A, W/TY-23 F&G	505.43	502.62
82	18' RT.	13+31	INLET TY-A, W/TY-23 F&G	505.29	502.40
83	22' RT.	13+60	INLET SPL., W/TY-23 F&G	505.09	502.20
84	18' RT.	13+60	PIPE TEE, 12" P. 12" R.	-	502.11
85	37' RT.	13+67	INLET TY-A, W/TY-23 F&G	504.85	502.36
TOTAL				10 C.Y.	

STORM SEWERS - CLASS B						
LOCATION	TY-1,12"	TY-1,15"	TY-1,18"	TY-1,21"	TR.B'FILL	C.L.S.M.
1 TO 2				25		6
R2 TO 4	4				1.0	
2 TO 5			148			11
5 TO 6	5					
5 TO 7			2			
7 TO 8	4				0.5	
8 TO 9	33				7.8	
7 TO 10			94			
10 TO 11	4				0.4	
11 TO 12					6.8	
12 TO 13						
13 TO 14						
10 TO 15			32			
15 TO 16	5				0.7	
15 TO 17			54			
17 TO 18	2				0.4	
18 TO 19	33				5.8	
18 TO 20		58				
20 TO 21	22				0.9	
20 TO 22			36		6.3	
22 TO 23	22				1.0	
22 TO 24			16			
24 TO 25	4				0.5	
25 TO 26	33				6.8	
24 TO 27			53			
27 TO 28	5					
27 TO 29			22		0.4	
29 TO 30	4				5.4	
30 TO 31	33					
29 TO 32		44				
32 TO 33	4				0.4	
33 TO 34	33				6.4	
32 TO 35			43			
35 TO 36	4				0.4	
36 TO 37	33				6.4	
35 TO 38			44			
38 TO 39	4					
39 TO 40	33				6.1	
38 TO 41		49				
41 TO 42	2				0.4	
42 TO 43	33				5.7	
41 TO 44			73			
44 TO 45	4				0.4	
45 TO 46	33				6.4	
44 TO 47			58			
47 TO 48	5					
47 TO 49	5					
49 TO 50	4				0.4	
50 TO 51	33				6.2	
49 TO 52			63			
52 TO 53	4				0.4	
53 TO 54	33				5.7	
52 TO 55			63			
55 TO 56	4				0.5	
56 TO 57	33				8.8	
57 TO 58	28				1.6	
55 TO 59	16					
59 TO 60	5					
59 TO 61	45					
61 TO 62	2				0.4	
62 TO 63	33				6.8	
61 TO 64	5					
64 TO 65	44					
66 TO 67	5					
66 TO 69	44					
69 TO 68	5					
69 TO 70	6					
70 TO 71	4				0.5	
70 TO 72	40					
72 TO 73	4				0.6	
72 TO 74	10					
74 TO 75	5					
74 TO 76	25					
76 TO 77	5				0.5	
76 TO 78	28				0.5	
79 TO 81	40				3.1	
80 TO 81	3					
81 TO 82	36				2.7	
82 TO 83	27				1.4	
83 TO 85	14					
83 TO 87	3				2.6	
TOTALS	1365	365	330	25	120	35

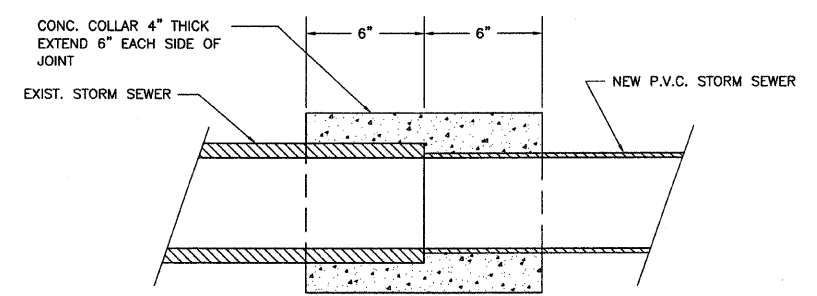


INLET, (SPECIAL) DETAILS



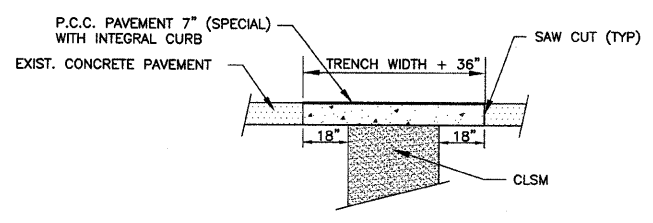
P.R.C.F.E.S. TO STORM SEWER - JOINT DETAIL

COST INCLUDED IN THE P.R.C.F.E.S. OF EACH SIZE INDICATED



STORM SEWER CONNECTION SPECIAL DETAIL

D.S. #	QUANTITY
1	1
R2	1
R6	2
R7	3
TOTAL 7 EACH	



PAVEMENT REMOVAL AND REPLACEMENT DETAIL

LT. STA. 0+32 TO 0+80