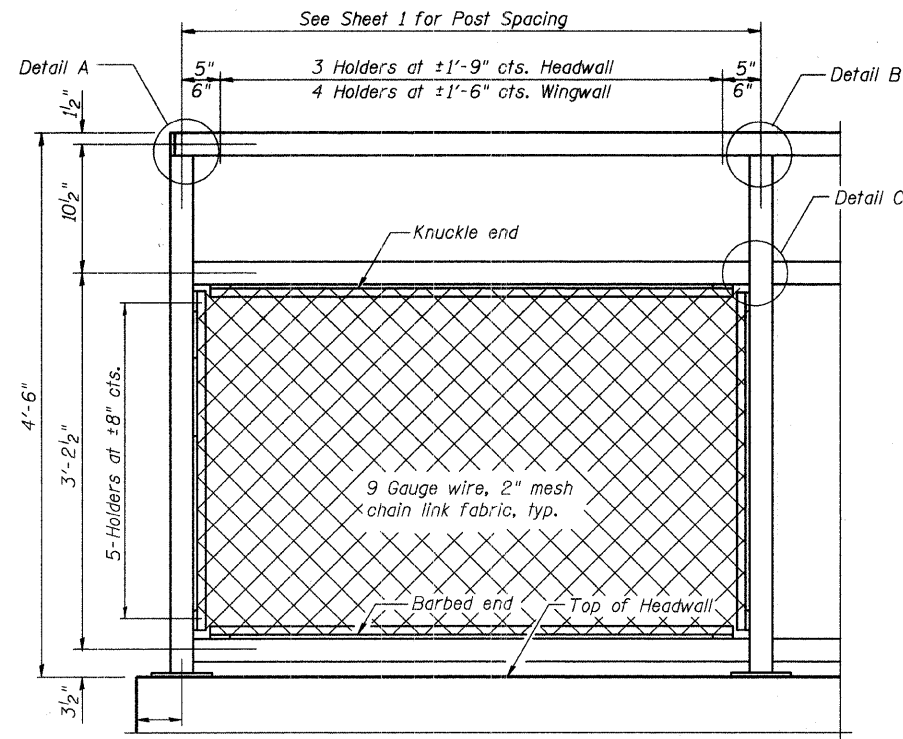
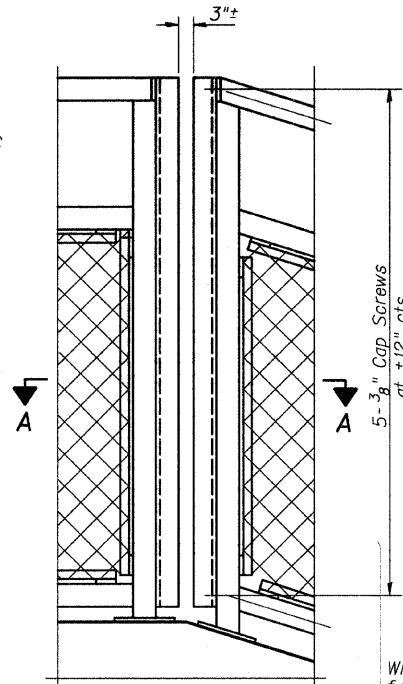


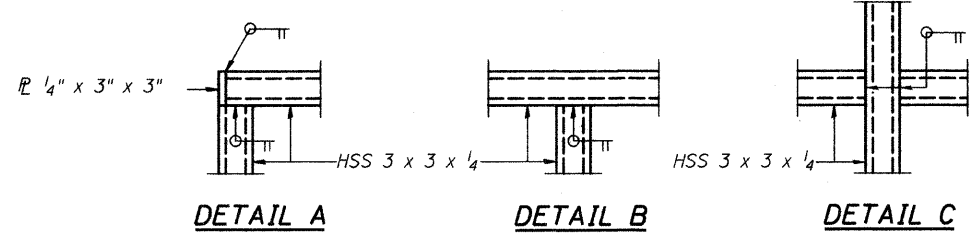
STATE OF ILLINOIS
DEPARTMENT OF TRANSPORTATION



BICYCLE RAILING

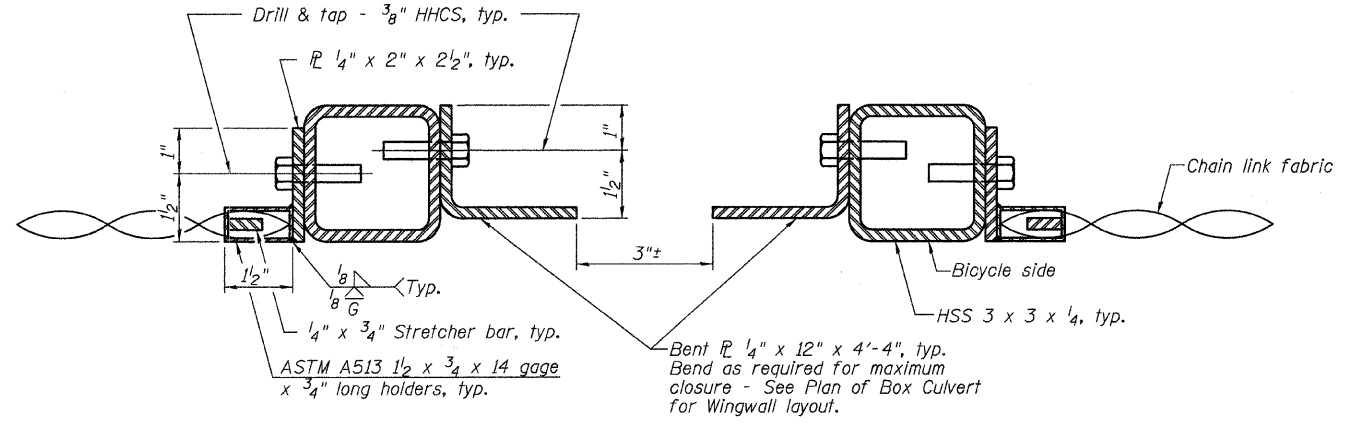


BICYCLE RAILING

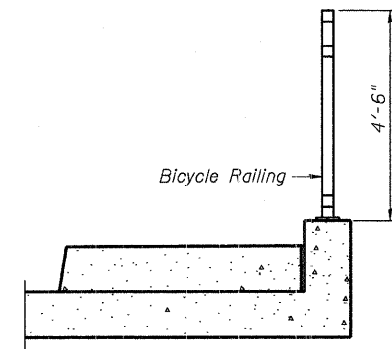


NOTES

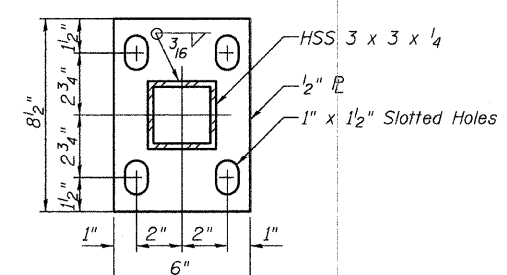
All steel rail elements shall be galvanized according to Article 509.05 of the Standard Specifications.



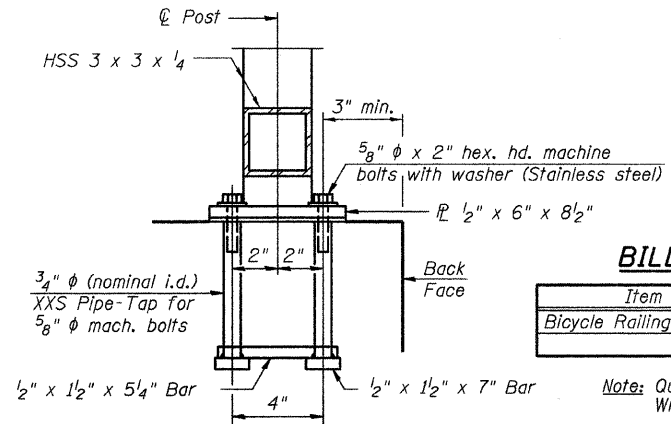
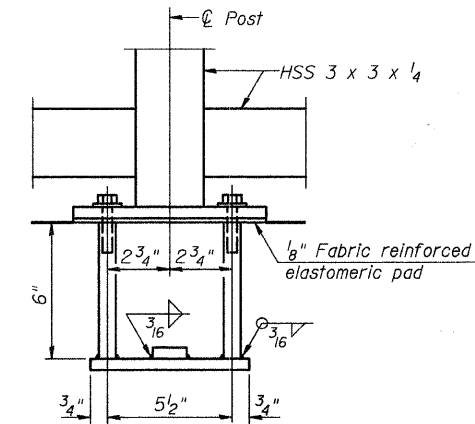
SECTION A-A



SECTION THRU SIDEWALK



BASE P



ANCHOR BOLT DETAILS

In lieu of the cast-in-place anchor device shown, the Contractor has the option of drilling and setting 5/8" φ anchor rods according to Article 509.06 of the Standard Specifications. Embedment shall be according to the manufacturer's specifications.

BILL OF MATERIAL

Item	Unit	Quantity
Bicycle Railing	Foot	89

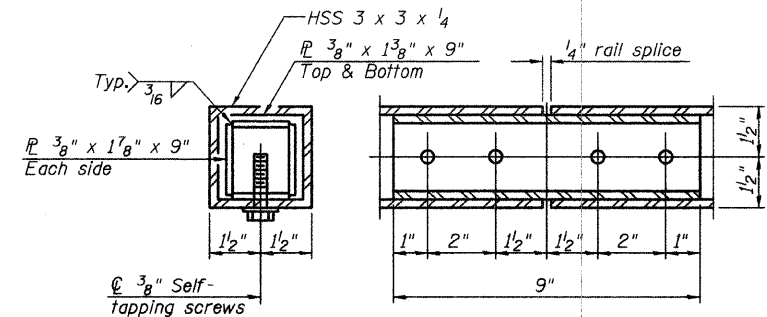
Note: Quantity shown includes Wingwall railing.

**BICYCLE RAILING
STRUCTURE NO. 096-6012**

DESIGNED - GLH
CHECKED - GLH
DRAWN - JN
CHECKED - GLH

R-29

10-1-08 (10'-0" Maximum Post Spacing)



RAIL SPLICE

SHEET NO. 4 4 SHEETS	ROUTE	SECTION	COUNTY	TOTAL SHEETS	SHEET NO.
	NE 4th	06-00047-00-BR	WAYNE	8	8
	CONTRACT NO. 95617				
FED. ROAD DIST. NO. 1 ILLINOIS FED. AID PROJECT					

12/21/2009 RAAI #50809