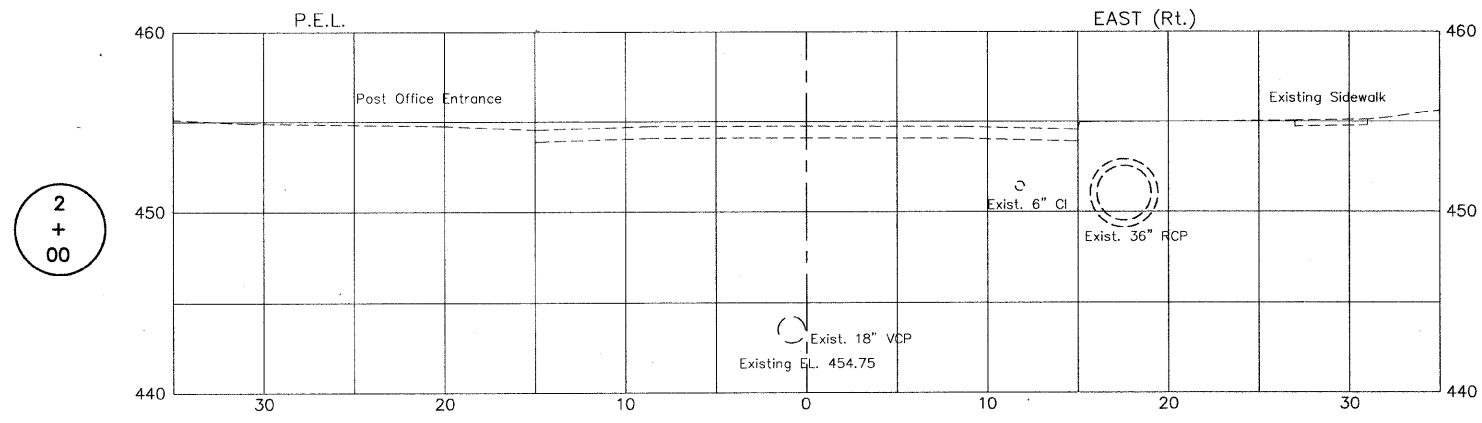
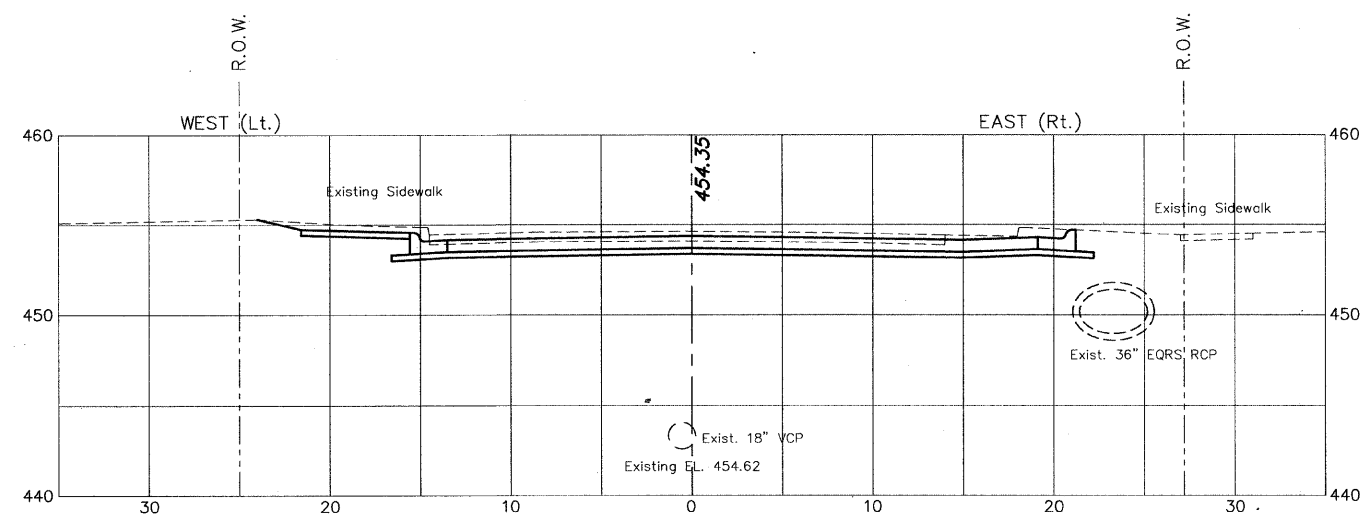


ROUTE	SECTION	COUNTY	TOTAL SHEETS	SHEET NO.
F.A.U. 9452	08-00059-00-RP	FRANKLIN	39	23
NORTH DuQUOIN ST.			CONTRACT NO. 99396	

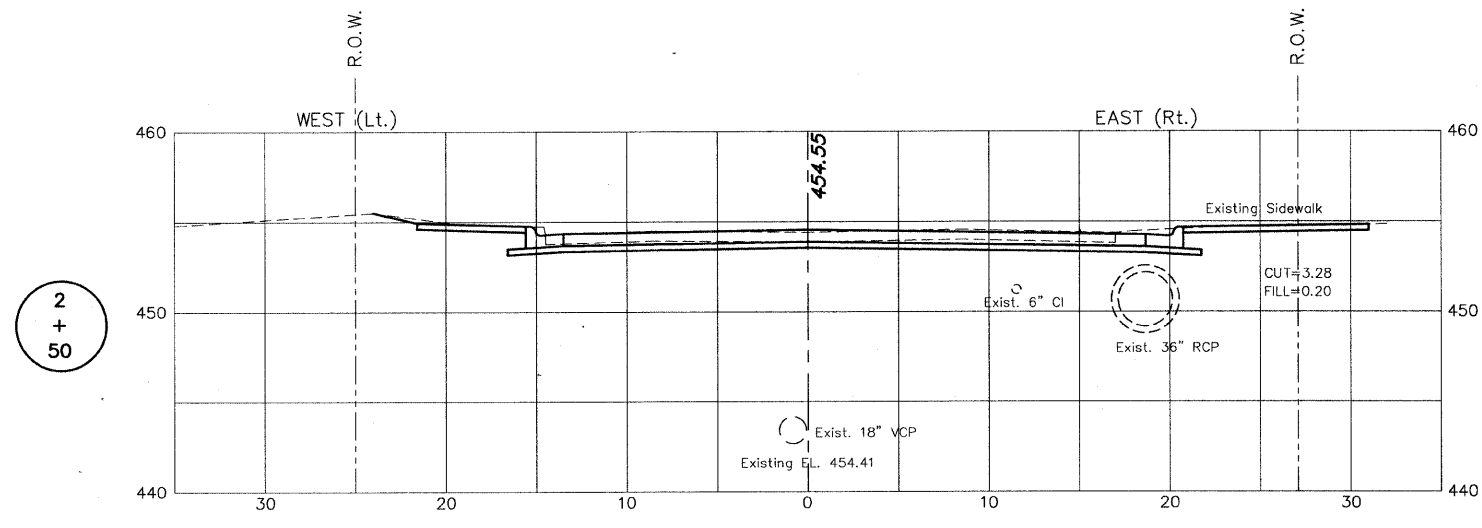


2
+
00



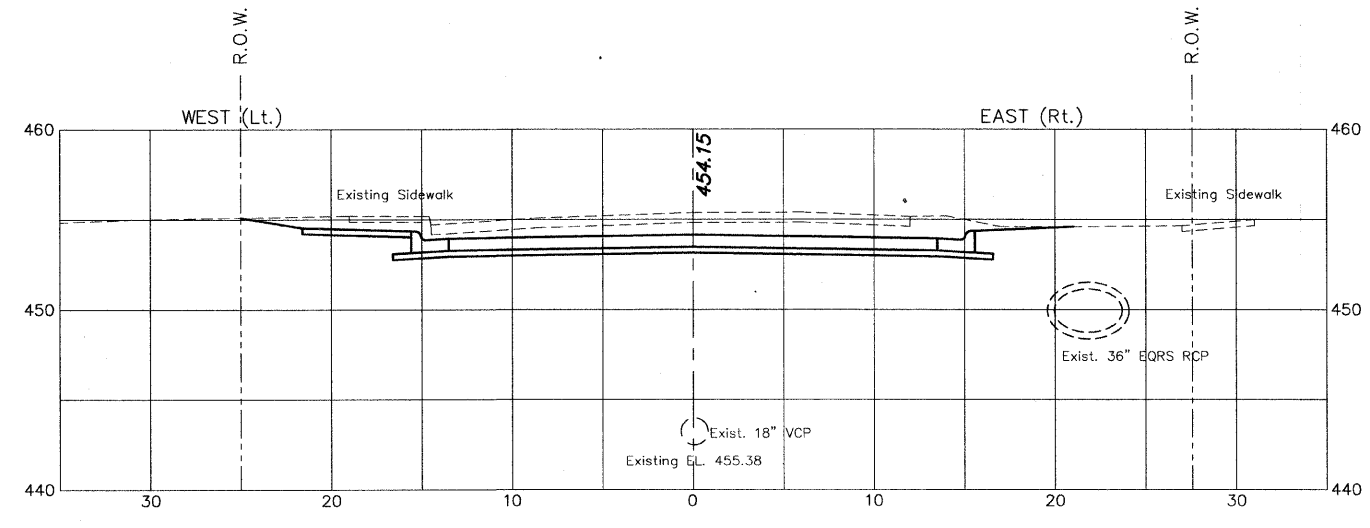
3
+
00

Cut = 4.49 sq. yd.
Fill = 0.24 sq. yd.



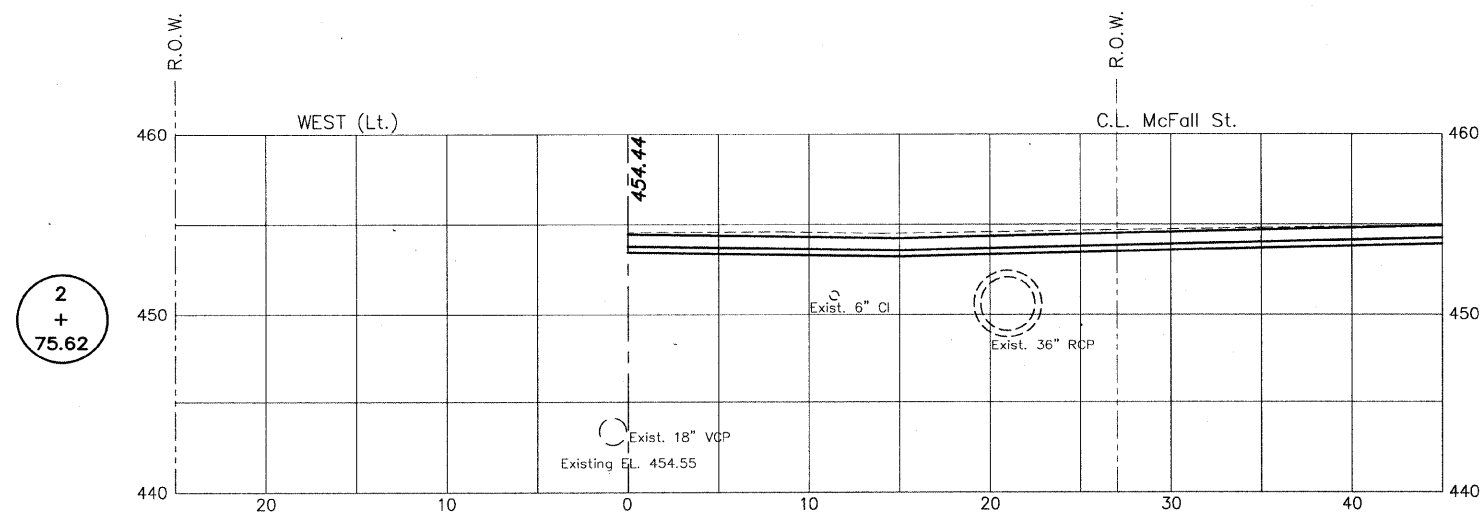
2
+
50

Cut = 3.28 sq. yd.
Fill = 0.20 sq. yd.

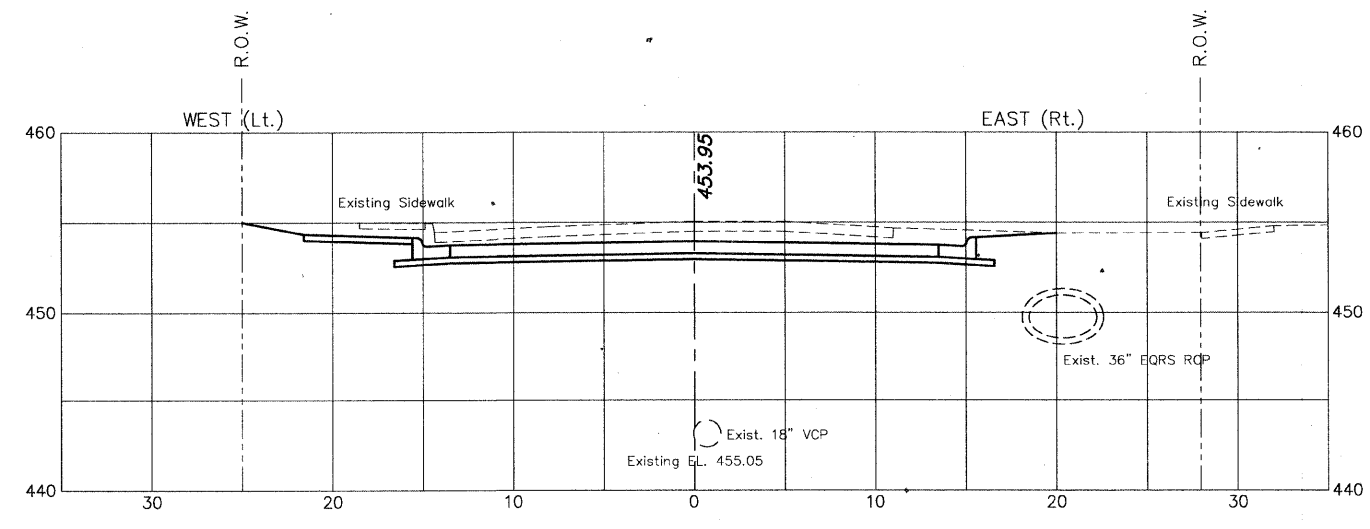


3
+
50

Cut = 6.97 sq. yd.
Fill = 0.10 sq. yd.



2
+
75.62



4
+
00

Cut = 6.46 sq. yd.
Fill = 0.24 sq. yd.