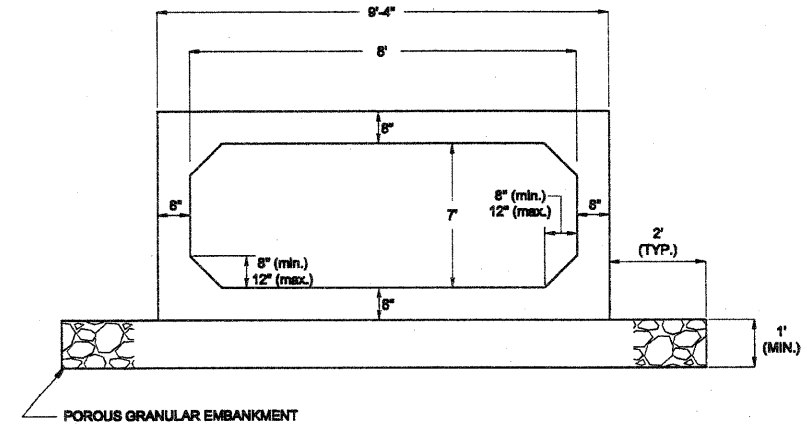
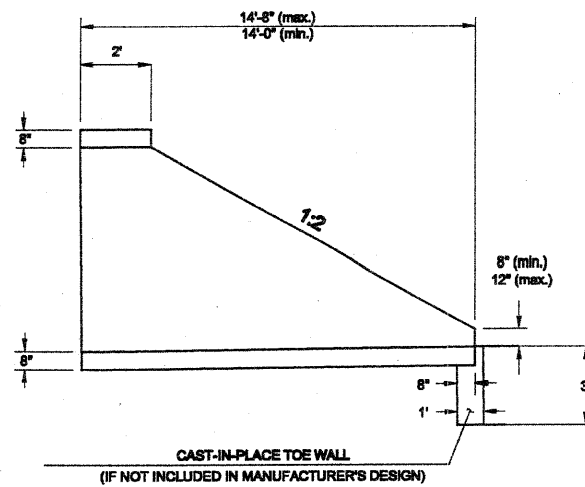


**SECTION THRU BOX CULVERT AT
STA. 120+66.80 SKEWED 31.01° LEFT FORWARD**

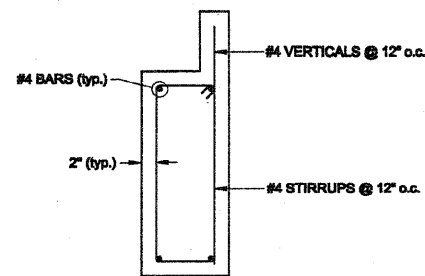
- STRUCTURAL NOTES**
- 1) ALL DIMENSIONS AND ELEVATIONS ARE IN FEET EXCEPT AS OTHERWISE NOTED.
 - 2) EXPOSED EDGES SHALL HAVE A 1/4" CHAMFER UNLESS OTHERWISE NOTED.
 - 3) PROVIDE A LIGHT BROOM FINISH ON THE FLOOR OF THE PRECAST CONCRETE BOX CULVERT AND PRECAST BOX CULVERT END SECTIONS. COST FOR BROOM FINISHING SHALL BE INCLUDED IN THE APPROPRIATE PRECAST CONCRETE BOX CULVERT AND PRECAST BOX CULVERT END SECTION QUANTITY; NO ADDITIONAL COMPENSATION WILL BE PROVIDED.
 - 4) THIS BOX CULVERT HAS AN APPROXIMATE FILL HEIGHT OF 7 INCHES. THE PRECAST CONCRETE BOX CULVERT SHALL BE DESIGNED IN ACCORDANCE WITH AASHTO M273 EXCEPT THAT THE AGGREGATE SHALL CONFORM TO THE REQUIREMENTS OF ARTICLE 1003.02 OF THE STANDARD SPECIFICATIONS WITH THE EXCEPTION OF GRADATION (SEE ARTICLE 602 OF THE STANDARD SPECIFICATIONS FOR COMPACTION REQUIREMENTS).
 - 5) THE CONTRACTOR SHALL SUBMIT SHOP DRAWINGS AND CALCULATIONS FOR THE PRECAST CONCRETE BOX CULVERT AND PRECAST BOX CULVERT END SECTIONS. SHOP DRAWINGS AND CALCULATIONS SHALL BE SEALED BY A STRUCTURAL ENGINEER REGISTERED IN THE STATE OF ILLINOIS.
 - 6) AN END SECTION TOE WALL WILL BE REQUIRED. IF SHOP DRAWINGS AND CALCULATIONS DO NOT DETAIL/INCLUDE A PRECAST END SECTION TOE WALL, A CAST-IN-PLACE TOE WALL SHALL BE PLACED ACCORDING TO THE PRECAST END SECTION DETAIL AND ALL APPLICABLE SECTIONS OF THE STANDARD SPECIFICATIONS FOR ROAD & BRIDGE CONSTRUCTION. ANY END SECTION TOE WALLS (EITHER PRECAST OR CAST-IN-PLACE) WILL NOT BE PAID FOR SEPARATELY, BUT SHALL BE INCLUDED IN THE APPROPRIATE PRECAST BOX CULVERT END SECTION QUANTITY. APPROXIMATELY 0.9 YD.³ OF CONCRETE AND APPROXIMATELY 79 LBS. OF REINFORCEMENT BARS WILL BE REQUIRED FOR EACH CAST-IN-PLACE TOE WALL.
 - 7) ALL REQUIRED BOLTS SHALL BE INCLUDED IN THE APPROPRIATE PRECAST CONCRETE BOX CULVERT OR PRECAST CONCRETE BOX CULVERT END SECTION QUANTITY.



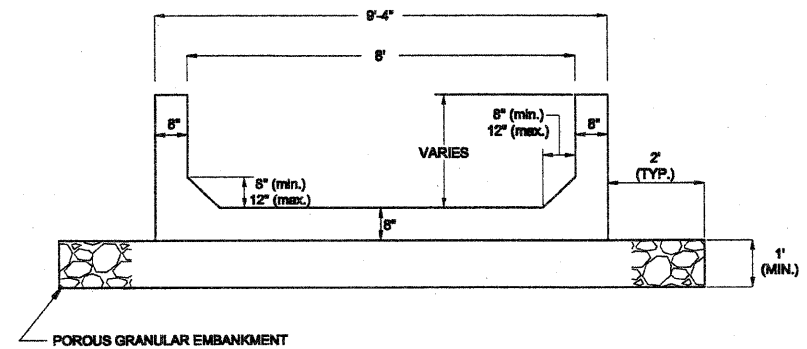
SECTION THRU BARREL



PRECAST END SECTION DETAIL



CAST-IN-PLACE TOE WALL DETAIL



SECTION THRU END SECTIONS

FILE NAME = 40039-300	USER NAME = French, Monica	DESIGNED - MSF	REVISED -	STATE OF ILLINOIS DEPARTMENT OF TRANSPORTATION	BOX CULVERT DETAIL	F.A.U. RTE.	SECTION	COUNTY	TOTAL SHEETS	SHEET NO.
	PLOT SCALE = 1:1	DRAWN - KLB	REVISED -			8479	09-00130-00 RP	JEFFERSON	30	17
	PLOT DATE = 12/17/2009	CHECKED - DLK	REVISED -			CONTRACT NO. 99411				
	DATE - 12-09-09	REVISED -		SCALE: NA	SHEET NO. 17 OF 30 SHEETS	STA. NA	TO STA. NA	FED. ROAD DIST. NO. 3 ILLINOIS (FED. AID PROJECT)		