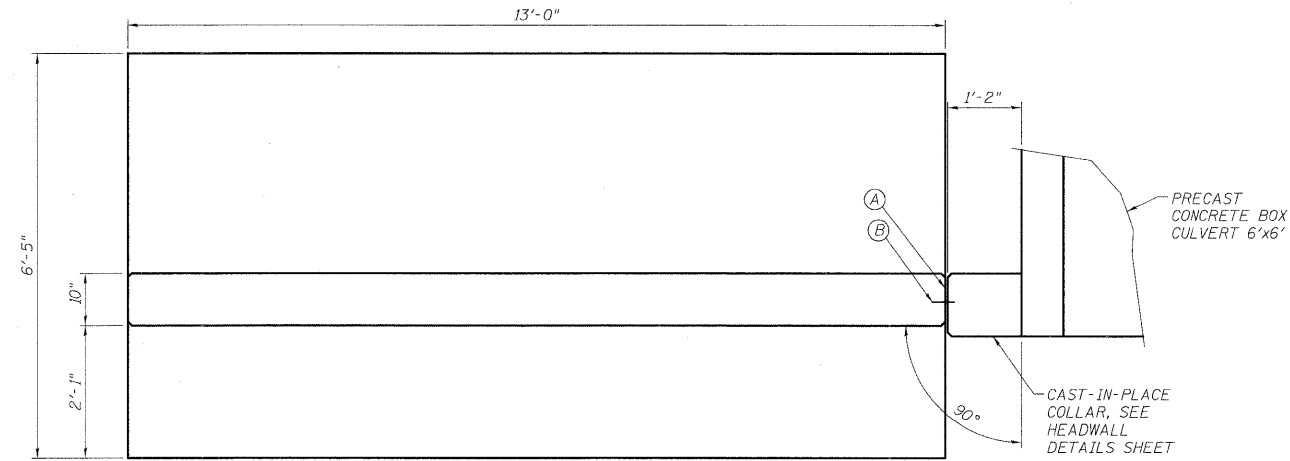
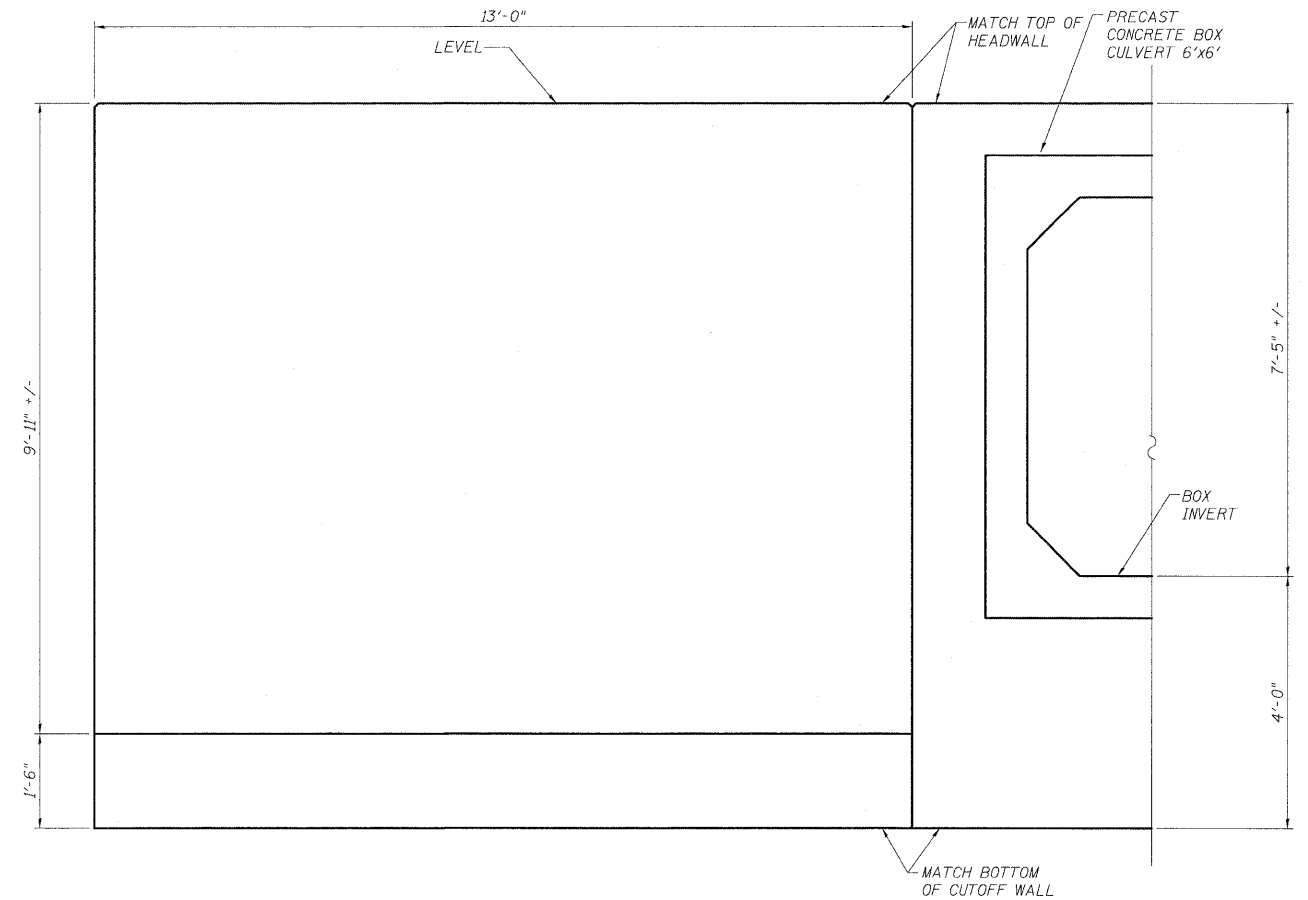


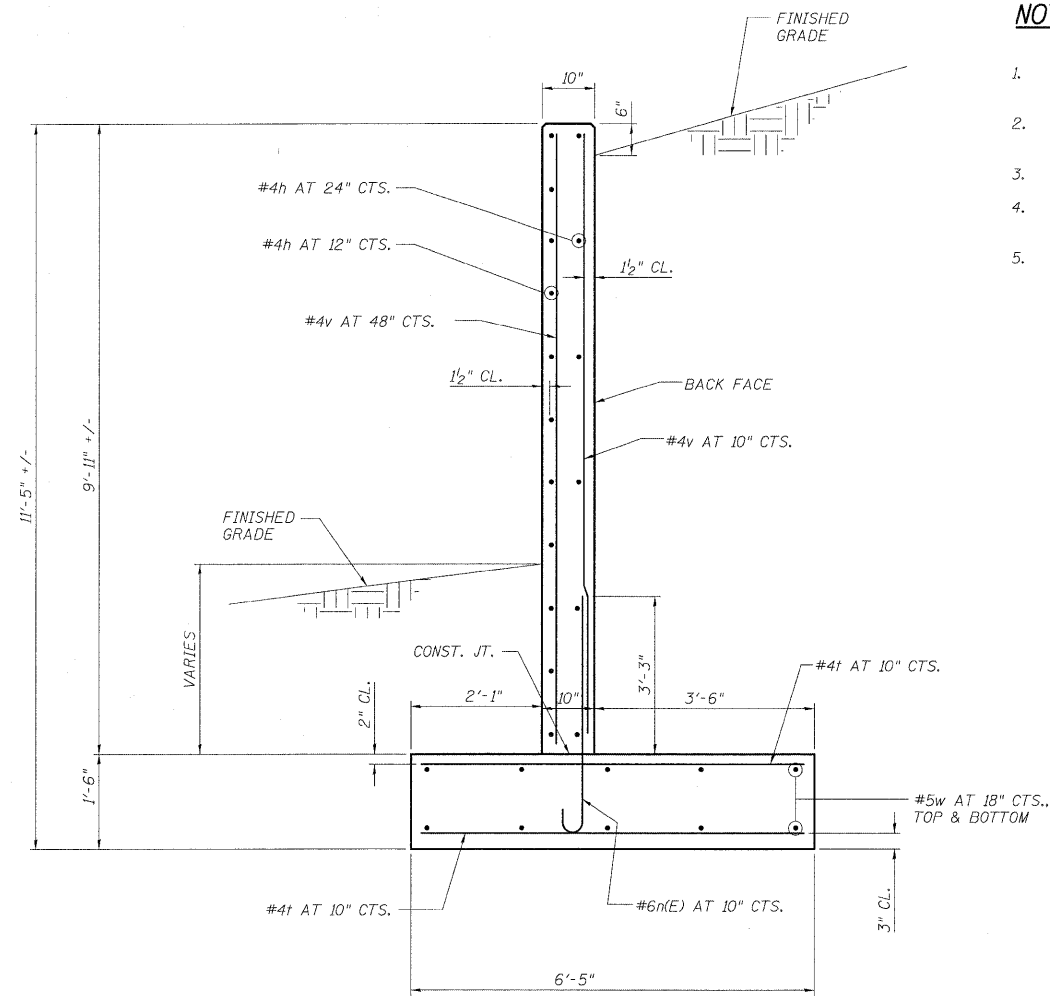
- (A) 1/2" PREMOULDED JOINT FILLER, INSTALL w/ 2 COLUMNS OF CONC. NAILS (FLAT HD. C.S.), 1" LONG, AT 12" CTS., VERTICAL.
- (B) 6" HOLLOW BULB TYPE NONMETALLIC WATER SEAL (6" FROM TOP OF WALL TO TOP OF FOOTING).



PLAN



ELEVATION



CROSS SECTION

NOTES

1. ALL EDGES SHALL HAVE STANDARD 3/4" CHAMFERS, EXCEPT AS NOTED.
2. REINFORCEMENT BARS DESIGNATED (E) SHALL BE EPOXY COATED.
3. SEE HEADWALL DETAILS SHEET FOR BILL OF MATERIAL.
4. PROVIDE PROTECTIVE COAT ON TOP HORIZONTAL SURFACES AND TOP 6" ON INSIDE FACES OF WINGWALLS.
5. THE MAXIMUM DESIGN SOIL BEARING PRESSURE AT THE TOE OF THE WINGWALL FOOTING IS 2556 PSF.