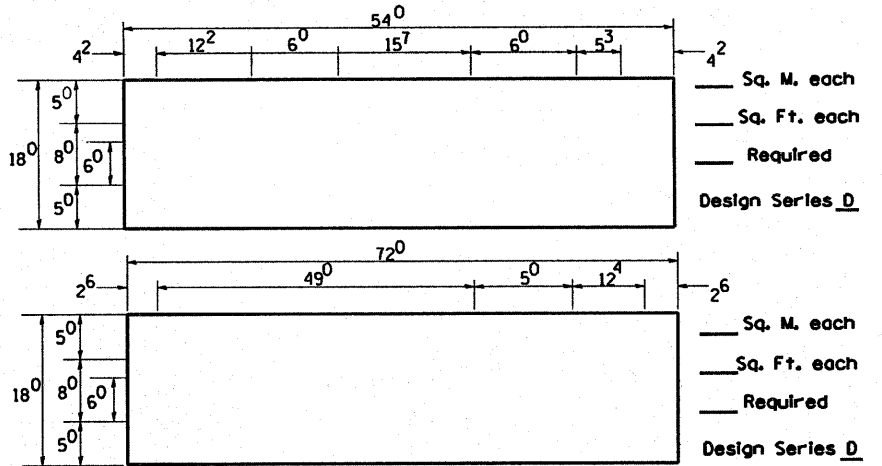


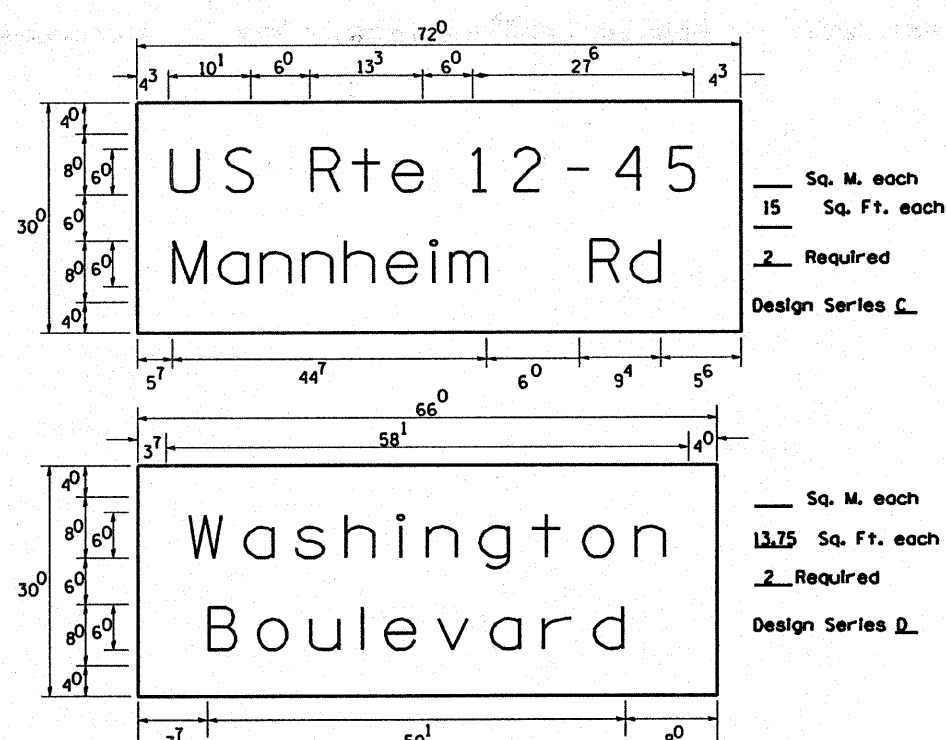
EXAMPLE, 2³ DENOTES $\frac{3}{8}$ "

PANEL SIGN DESIGN TYPE 1



NOTE: SIGN DIMENSIONS ARE IN ENGLISH UNITS

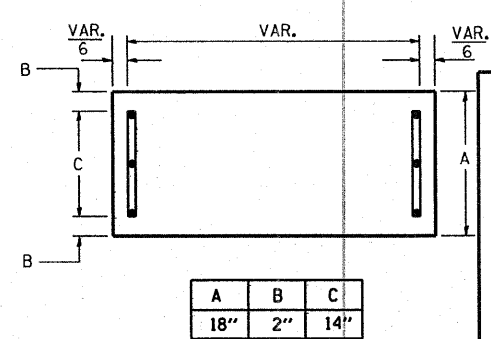
PANEL SIGN DESIGN TYPE 2



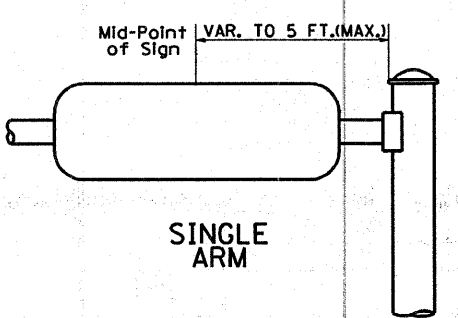
GENERAL NOTES

- WHERE MAST ARM MOUNTED STREET NAME SIGNS ARE SPECIFIED, THE MAST ARM ASSEMBLY AND POLES SHALL BE DESIGNED TO SUPPORT THE LOADINGS CALLED FOR ON STANDARDS 834001, 834006 AND 834011, AS APPLICABLE, PLUS TWO (2) SIGN PANELS 2'-6" x 6'-0" MOUNTED AS SHOWN. THE DESIGN SHALL BE IN ACCORDANCE WITH THE REQUIREMENTS OF THE CURRENT "STANDARD SPECIFICATIONS FOR STRUCTURAL SUPPORTS FOR HIGHWAY SIGNS, LUMINAIRES, AND TRAFFIC SIGNALS" AS PUBLISHED BY THE AMERICAN ASSOCIATION OF STATE HIGHWAY AND TRANSPORTATION OFFICIALS FOR 80 M.P.H. WIND VELOCITY.
 - ALL SIGNS SHALL HAVE A WHITE REFLECTORIZED LEGEND AND BORDER ON A GREEN REFLECTORIZED BACKGROUND, TYPE A SHEETING.
 - THE SIGN LENGTH SHOULD BE INCREASED IN 6-INCH INCREMENTS, BUT THE OVERALL LENGTH SHOULD NOT EXCEED 6'-0".
 - ALL BORDERS SHALL BE $\frac{3}{4}$ " WIDE AND CORNER RADIUS SHALL BE 2-1/4".
 - SIGNFIX ALUMINUM CHANNEL FRAMING SYSTEM SHALL BE USED FOR ALL SIGNS ATTACHED TO SIGNAL POLES AND POSTS. LOCAL SUPPLIERS OF THE SIGNFIX ALUMINUM CHANNEL FRAMING SYSTEM ARE:
 - A.K.T. CORPORATION
 - SCHAUMBURG, IL
 - TUCKER COMPANY, INC.
 - WALUWATOSA, WI
 - AMERICAN FABRICATION CO.
 - CHICAGO HEIGHTS, IL
 - WESTERN TRAFFIC CONTROL INC.
 - CICERO, IL
- PARTS LISTING:
 SIGN CHANNEL PART *HPN053 (MED. CHANNEL)
 SIGN SCREWS $\frac{1}{4}$ " x 14 x 1" H.W.H. #3
 SELF TAPPING WITH NEOPRENE WASHER
 BRACKETS PART *HPN034 (UNIVERSAL)
 CHANNEL CLAMPS WITH STAINLESS STEEL STRAPPING
 OTHER BRANDS OF MOUNTING HARDWARE ARE ACCEPTABLE, BASED UPON THE DEPARTMENT'S APPROVAL AND COMPATIBILITY WITH THE CHANNEL/BACKET OF THE ABOVE PRODUCT.

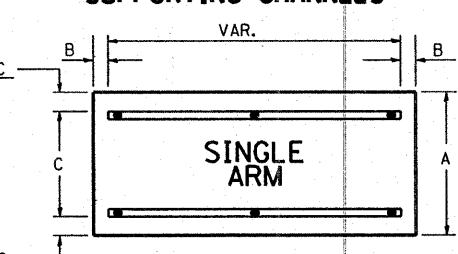
SUPPORTING CHANNELS



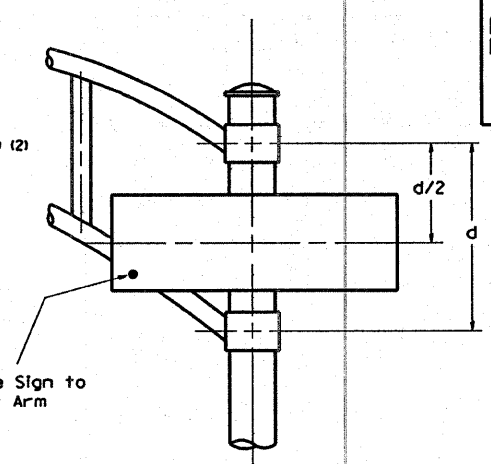
A	B	C
18"	2"	14"



SUPPORTING CHANNELS



A	B	C
18"	2"	12"
30"	2"	22"



SIGNFIX ALUMINUM CHANNEL FRAMING SYSTEM Shall be used. See Note #5.

Upper Case To Lower Case Spacing Chart 8-6 Inch Series "C & D"

SERIES	SECOND LETTER																	
	ac		de		bh		ik		f w		j		s t		v y		x z	
	C	D	C	D	C	D	C	D	C	D	C	D	C	D	C	D	C	D
A W X	12	14	14	15	12	14	06	10	11	14	06	10	11	12	12	14	12	14
B	14	15	20	21	14	15	11	12	14	15	12	14	12	14	12	14	16	17
C E G	14	15	20	21	12	14	06	10	12	14	12	14	14	15	14	15		
D O O R	14	15	20	21	14	15	06	10	12	14	12	14	14	15	14	15		
F	05	06	14	15	06	10	05	06	06	10	06	10	06	10	11	12		
H I M N	20	21	22	24	20	21	14	15	16	17	16	17	20	21	20	21		
J U	20	21	20	21	16	17	14	15	16	17	16	17	16	17	20	21		
K L	11	12	16	17	11	12	05	06	11	12	11	12	11	12	12	14		
P	12	14	14	15	12	14	05	06	11	12	11	12	12	14	12	14		
S	12	14	16	17	12	14	06	10	12	14	12	14	12	14	12	14		
T	11	12	16	17	06	10	06	10	11	12	11	12	11	12	12	14		
V	06	10	14	15	11	12	06	10	12	14	12	14	12	14	12	14		
Y	05	06	14	15	06	10	05	06	05	07	05	06	06	10	11	12		
Z	16	17	22	24	16	17	12	14	16	17	16	17	16	17	20	21		

Lower Case To Lower Case Spacing Chart 6 Inch Series "C & D"

SERIES	SECOND LETTER																	
	ac		de		bh		ik		f w		j		s t		v y		x z	
	C	D	C	D	C	D	C	D	C	D	C	D	C	D	C	D	C	D
adhgij	16	17	22	24	16	17	12	14	14	15	14	15	16	17	16	17		
lmnqu																		
bfkops	12	14	16	17	11	12	05	06	11	12	11	12	12	14	12	14		
c e	12	14	16	17	12	14	06	10	12	14	12	14	12	14	12	14		
r	06	10	12	14	06	10	03	03	05	06	05	06	06	10	06	10		
t z	12	14	16	17	12	14	06	10	11	12	11	12	12	14	12	14		
v y	11	12	14	15	11	12	05	06	06	10	06	10	11	12	11	12		
w	11	12	14	15	11	12	05	06	11	12	11	12	11	12	12	14		
x	12	14	16	17	11	12	05	06	11	12	11	12	11	12	12	14		

Number To Number Spacing Chart 8 Inch Series "C & D"

SERIES	SECOND NUMBER																			
	0	1	2	3	4	5	6	7	8	9										
	C	D	C	D	C	D	C	D	C	D										
0 9	16	17	16	17	14	15	12	14	14	15	14	15	16	17	12	14	16	17	16	17
1	20	21	20	21	20	21	16	17	14	15	20	21	20	21	14	15	20	21	20	21
2 3 4	14	15	14	15	14	15	12	14	12	14	14	15	14	15	11	12	16	17	14	15
5	14	15	14	15	14	15	11	12	11	12	14	15	14	15	11	12	14	15	14	15
6	16	17	14	15	14	15	12	14	14	15	14	15	11	12	14	15	14	15	14	15
7	12	14	12	14	14	15	12	14	05	06	12	14	14	15	11	12	14	15	12	14
8	16	17	16	17	14	15	12	14	14	15	16	17	12	14	16	17	14	15	14	15

UPPER AND LOWER CASE LETTER WIDTHS

LETTERS	6 INCH UPPER CASE LETTERS				LETTERS	6 INCH LOWER CASE LETTERS	
	SERIES		SERIES			SERIES	
	C	D	C	D		C	D
A	36	50	50	65	a	35	42
B	32	40	43	53	b	35	42
C	32	40	43	53	c	35	41
D	32	40	43	53	d	35	42
E	30	35	40	47	e	35	42
F	30	35	40	47	f	23	26
G	32	40	43	53	g	35	42
H	32	40	43	53	h	35	42
I	07	07	11	12	i	11	11
J	30	36	40	50	j	20	22
K	32	41	43	54	k	35	42
L	30	35	40	47	l	11	11
M	37	45	51	61	m	60	70
N	32	40	43	53	n	35	42
O	34	42	45	55	o	36	43
P	32	40	43	53	p	35	42
Q	34	42	45	55	q	35	42
R	32	40	43	53	r	26	32
S	32	40	43	53	s	36	42
T	30	35	40	47	t	27	32
U	32	40	43	53	u	35	42
V	35	44	47	60	v	42	47
W	44	52	60	70	w	55	64
X	34	40	45	53	x	44	51
Y	36	50	50	66	y	46	53
Z	32	40	43	53	z	36	43

NUMBER	6 INCH SERIES		8 INCH SERIES	
	C	D	C	D
1	12	14	15	20
2	32	40	43	53
3	32	40	43	53
4	35	43	47	57
5	32	40	43	53
6	32	40	43	53
7	32	40	43	53
8	32	40	43	53
9	32	40	43	53
0	34	42	45	55