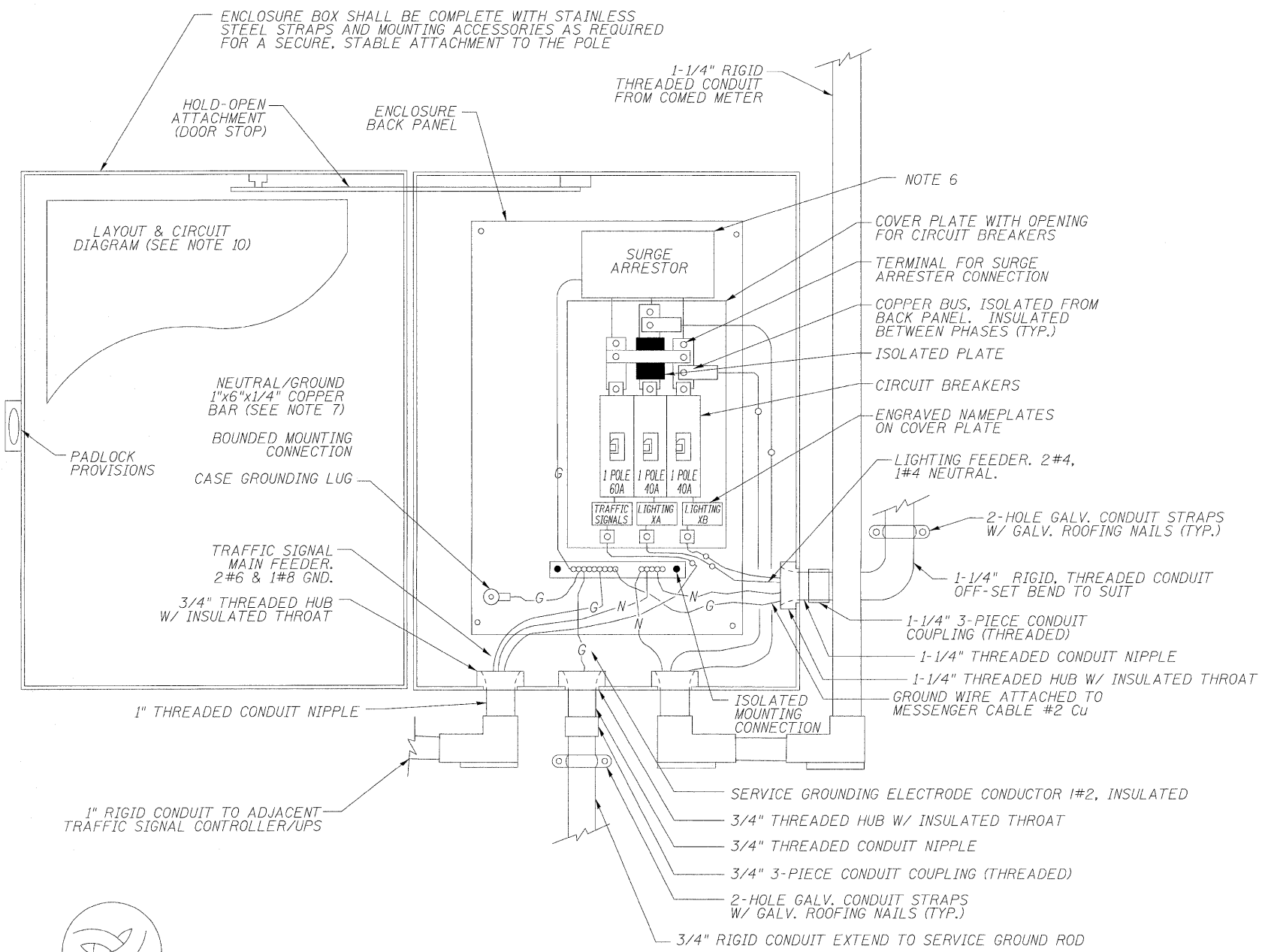


COST OF TEMPORARY POLE CAP MODIFICATION AND CONNECTION HARDWARE SHALL BE INCIDENTAL TO AERIAL CABLE PAY ITEM.

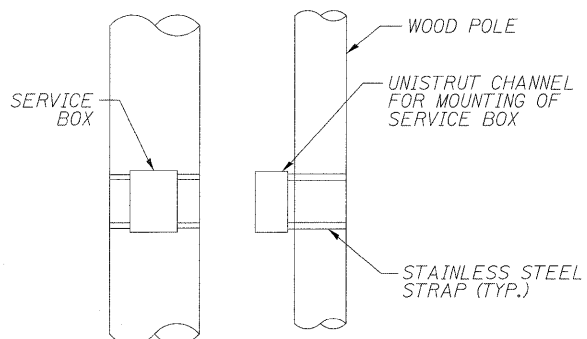
NOTES

- ELECTRICAL SERVICE SHALL BE OF THE VOLTAGE INDICATED OR DESIGNED BY THE ENGINEER. SERVICE DROP CABLE SHALL BE COMPATIBLE WITH THE SERVICE ACCORDINGLY. SOME INSTALLATIONS MAY CALL FOR SERVICE ENTRANCE EQUIPMENT SUITABLE FOR 3-WIRE SERVICE EVEN THOUGH INITIALLY WIRED FOR 2-WIRE SERVICE.
- THE POLE-MOUNTED ELECTRICAL SERVICE BOX DETAIL DEPICTS THE BASIC CONSTRUCTION OF THE EQUIPMENT. SLIGHT MODIFICATIONS APPLY FOR DIFFERING SERVICES AND APPLICATIONS.
- THE ELECTRICAL SERVICE EQUIPMENT ASSEMBLY SHALL BE UL LISTED AS SUITABLE FOR USE AS SERVICE ENTRANCE EQUIPMENT.
- THE ELECTRICAL SERVICE EQUIPMENT SHALL BE A NEMA 4X STAINLESS STEEL, NOMINALLY 12"W x 16"H x 8"D, WITH A PIANO-HINGED DOOR, STEEL BACK PANEL, FAST-ACTING STAINLESS STEEL ENCLOSURE CLAMPS, PADLOCK PROVISIONS AND DOOR STOP. HOFFMAN CATALOG NO. A-16HT208SS6LP/A-16 P12/A-DSTOPK/C-PMK12, OR APPROVED EQUAL.
- CIRCUIT BREAKERS SHALL BE THERMAL MAGNETIC BOLT-ON TYPE WITH A MINIMUM INTERRUPTING CAPACITY OF 25,000 SYMMETRICAL AMPERES AT 120 VOLTS. THEY SHALL BE LOCKABLE IN THE "OFF" POSITION FOR COMPLIANCE WITH OSHA LOCK-OUT/TAG-OUT REQUIREMENTS. HANDLES SHALL BE TRIP FREE.
- THE SURGE PROTECTOR SHALL BE SUITABLE FOR 240/120 VOLT SINGLE PHASE 60HZ AC ELECTRICAL SERVICE, WITH A SURGE ENERGY CAPABILITY OF 2160 JOULES OR BETTER AT 8/20 MICROSECONDS, RATED -40 TO 60 DEGREES C., WITH LED OPERATING INDICATORS, AND SHALL BE UL LISTED PER UL 1449, CUTLER-HAMMER CMOV230L065XST OR APPROVED EQUAL.
- BUS BARS, CONNECTORS AND LUGS SHALL BE COPPER, INSULATED AND ISOLATED, AND CONFIGURED TO PREVENT SHORTED CONDITIONS FROM TIGHTENING TERMINATIONS, ETC. THE OVERALL BUS SECTION SHALL BE CONFIGURED BEHIND AN INSULATING BARRIER SHIELD WHICH IS REMOVABLE FOR ACCESS TO CONNECTIONS, OR THE ASSEMBLY SHALL BE A MANUFACTURED SPECIALTY PANELBOARD, CUTLER-HAMMER PRL2A OR APPROVED EQUAL.
- THE COMBINATION GROUND AND NEUTRAL BAR SHALL BE CONFIGURED WITH SEPARATE GROUND AND NEUTRAL SECTIONS AND SPARE TERMINALS AS INDICATED. THE HEADS OF GROUND SCREWS SHALL BE PAINTED GREEN, THE HEADS OF NEUTRAL SCREWS SHALL BE PAINTED WHITE. THE SERVICE NEUTRAL AND SERVICE GROUNDING ELECTRODE CONDUCTOR SHALL BE TERMINATED ADJACENT TO EACH OTHER AT THE DIVIDE BETWEEN THE SECTIONS AND WIRING SHALL BE TERMINATED ONLY UPON THE APPROPRIATE SECTION.
- THE WIRING TERMINALS, INCLUDING THE GROUND/NEUTRAL BAR SHALL BE ARRANGED TO PROVIDE ADEQUATE ROOM FOR PERFORMING FIELD TERMINATIONS.
- A PLASTIC LAMINATED LAYOUT AND CIRCUIT DIAGRAM SHALL BE MECHANICALLY SECURED TO THE INTERIOR SIDE OF THE ENCLOSURE DOOR.
- A 2-COLOR ENGRAVED PLASTIC NAMEPLATE, ATTACHED WITH SCREWS, AND ENGRAVED AS INDICATED, SHALL BE PROVIDED FOR EACH MAIN BREAKER.
- LUGS AND CONNECTORS SHALL BE RATED FOR 75 DEGREE C CONDUCTOR.
- THE EXACT MOUNTING HEIGHT OF THE BOX SHALL BE FIELD DETERMINED TO AVOID OBSTRUCTIONS AND PUBLIC ACCESS.

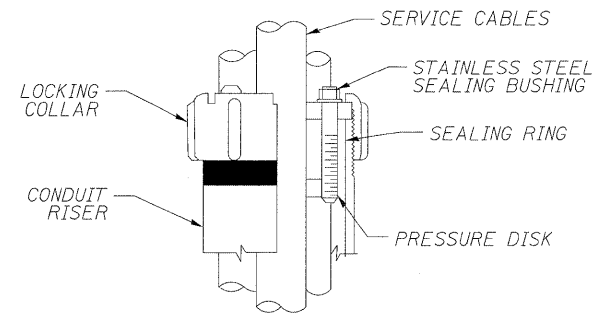


**COMBINATION POLE-MOUNTED ELECTRIC SERVICE BOX
GENERAL LAYOUT DIAGRAM**
NOT TO SCALE

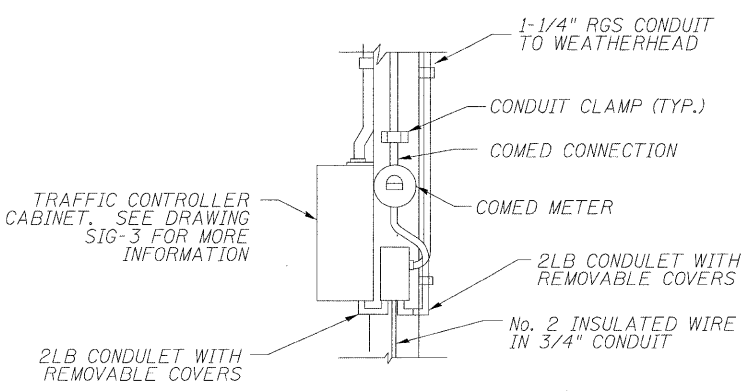
6" DECAL ON FRONT COVER



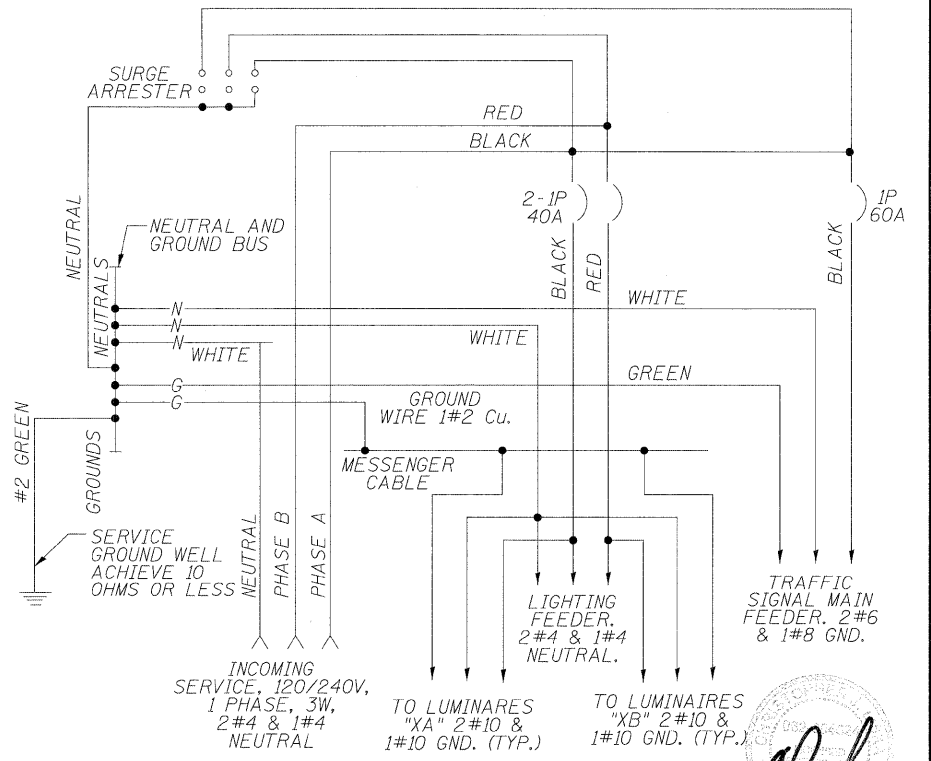
SERVICE BOX MOUNTING DETAIL
NOT TO SCALE



SEALING BUSHING DETAIL
NOT TO SCALE



SERVICE ENTRANCE DETAIL
NOT TO SCALE



SCHEMATIC DIAGRAM
NOT TO SCALE

LOWCO, INC.
CONSULTING ENGINEERS
1560 WALL ST., SUITE 222
NAPERVILLE, ILLINOIS 60563 PH: (630) 577-9100

DESIGNED - MJY	REVISD -
DRAWN - ST	REVISD -
CHECKED - MJY	REVISD -
DATE - 01/16/2009	REVISD -

**STATE OF ILLINOIS
DEPARTMENT OF TRANSPORTATION**

**TEMPORARY LIGHTING - DETAILS
US ROUTE 30**

SCALE: NONE SHEET NO. 11 OF 20 SHEETS STA. 267+35 TO STA. 267+83

F.A.P. RTE. 349	SECTION 15 T-1	COUNTY WILL	TOTAL SHEETS 20	SHEET NO. 11
D-91-215-09			CONTRACT NO. 60F69	
FED. ROAD DIST. NO. [ILLINOIS] FED. AID PROJECT				

Chen
1/16/09
Exp
1/18/09