

F.A.P.	SECTION	COUNTY	TOTAL SHEETS	SHEET NO.
343	631-T	COOK	33	20
FED. ROAD DIST. NO. 1	ILLINOIS	FED. AID PROJECT-		

SHEET NO.
3 of 10

Contract No.: 62710

GENERAL NOTES

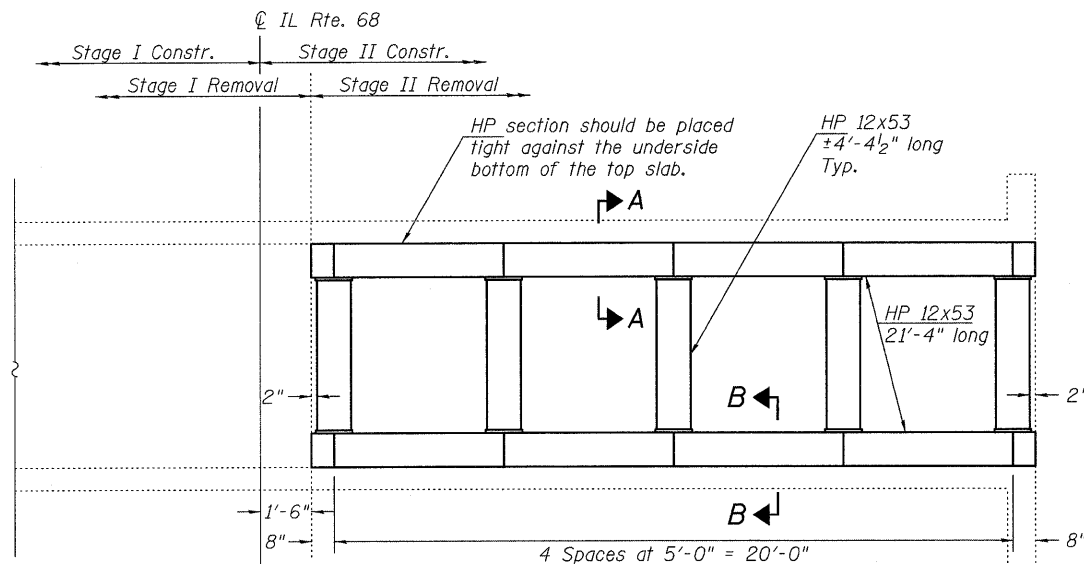
Fasteners shall be AASHTO M164 Type 1, mechanically galvanized bolts in painted areas and M164 Type 3 in unpainted areas. Bolts $\frac{7}{8}$ " ϕ , holes $\frac{15}{16}$ " ϕ , unless otherwise noted.
All structural steel shall conform to AASHTO Classification M-270 Gr. 36, unless otherwise noted.

See Section 584 of the Standard specifications for Epoxy Grouting of Threaded Rods: Minimum embedment 4".

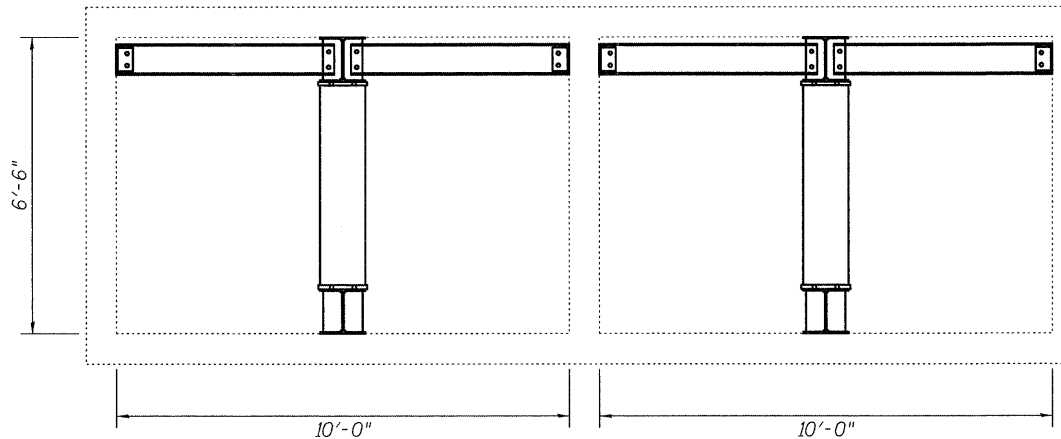
The cost of epoxy grouting threaded rods is to be included with Furnishing and Erecting Structural Steel.

Plan dimensions and details relative to existing plans are subject to routine variations. The Contractor shall field verify existing dimensions and details affecting new construction and make necessary approved adjustments prior to construction or ordering of materials. Such variations shall not be cause for additional compensation for a change in scope of the work, however, the Contractor will be paid for the quantity actually furnished based upon the unit price bid for the work.

If the Contractor chooses to alter the support system shown, the Contractor shall submit details and calculations, prepared and sealed by an Illinois Licensed Structural Engineer, of the proposed temporary support system for approval by the Engineer. Such approval shall in no way relieve the Contractor of responsibility for the safety of the structure.



LONGITUDINAL SECTION



END ELEVATION

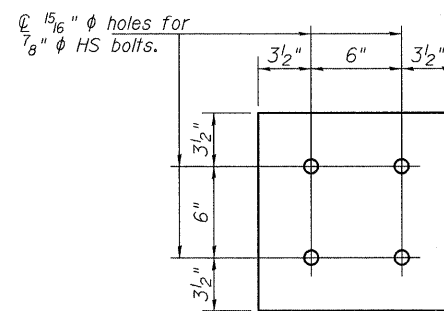
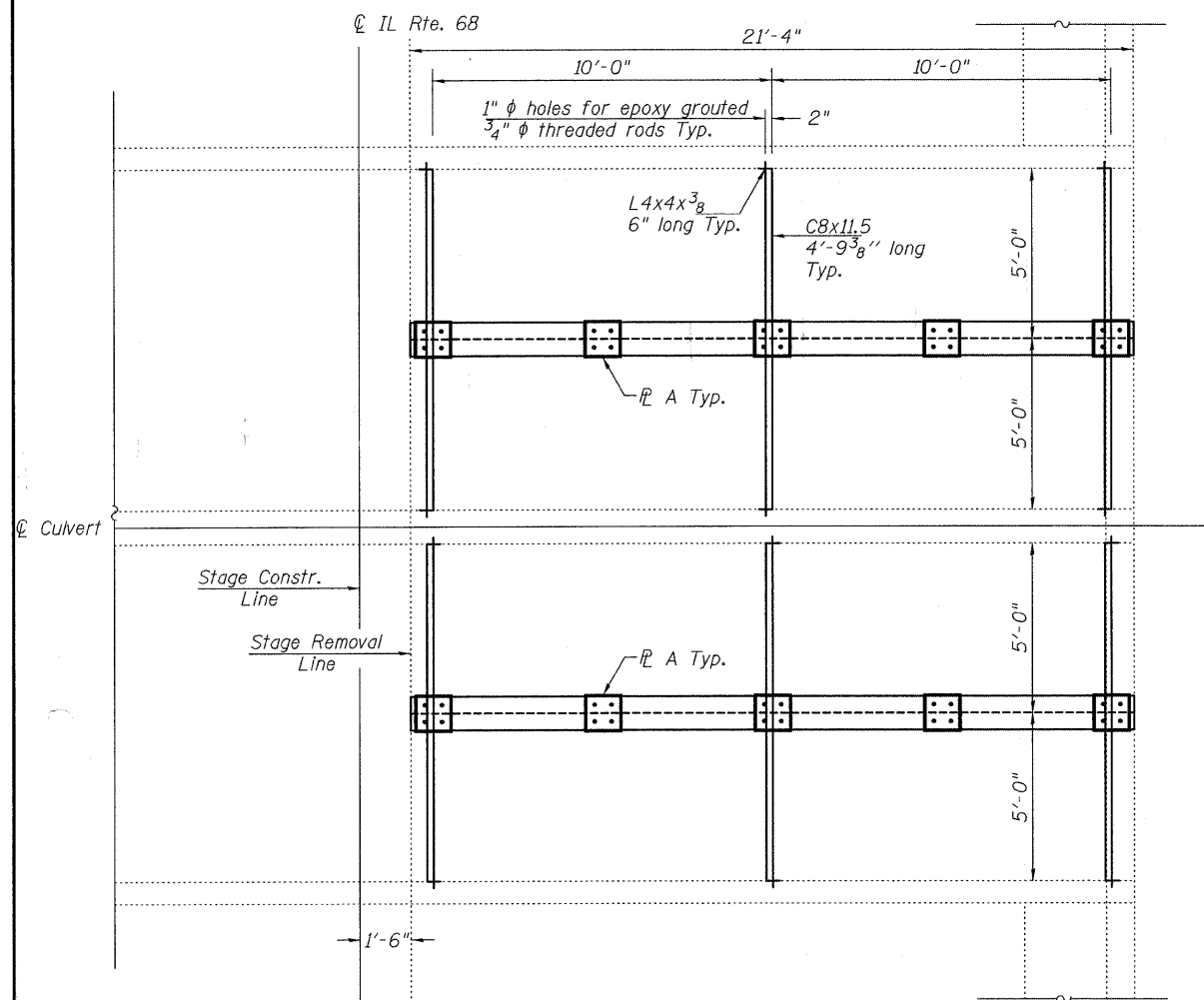
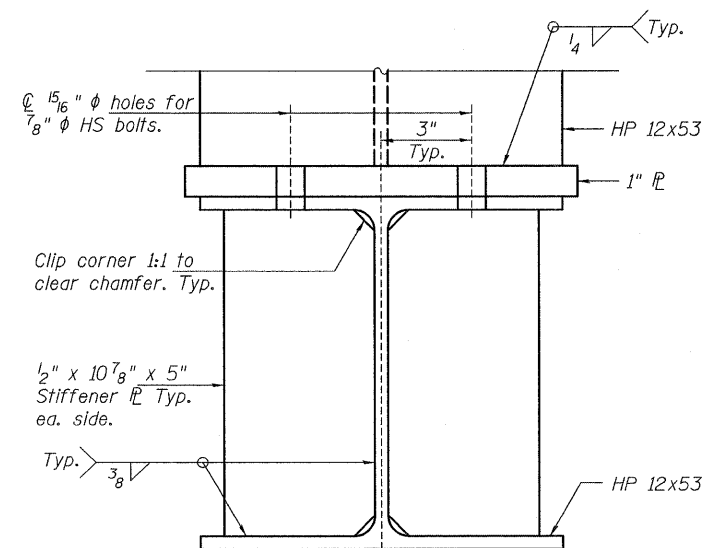


PLATE A

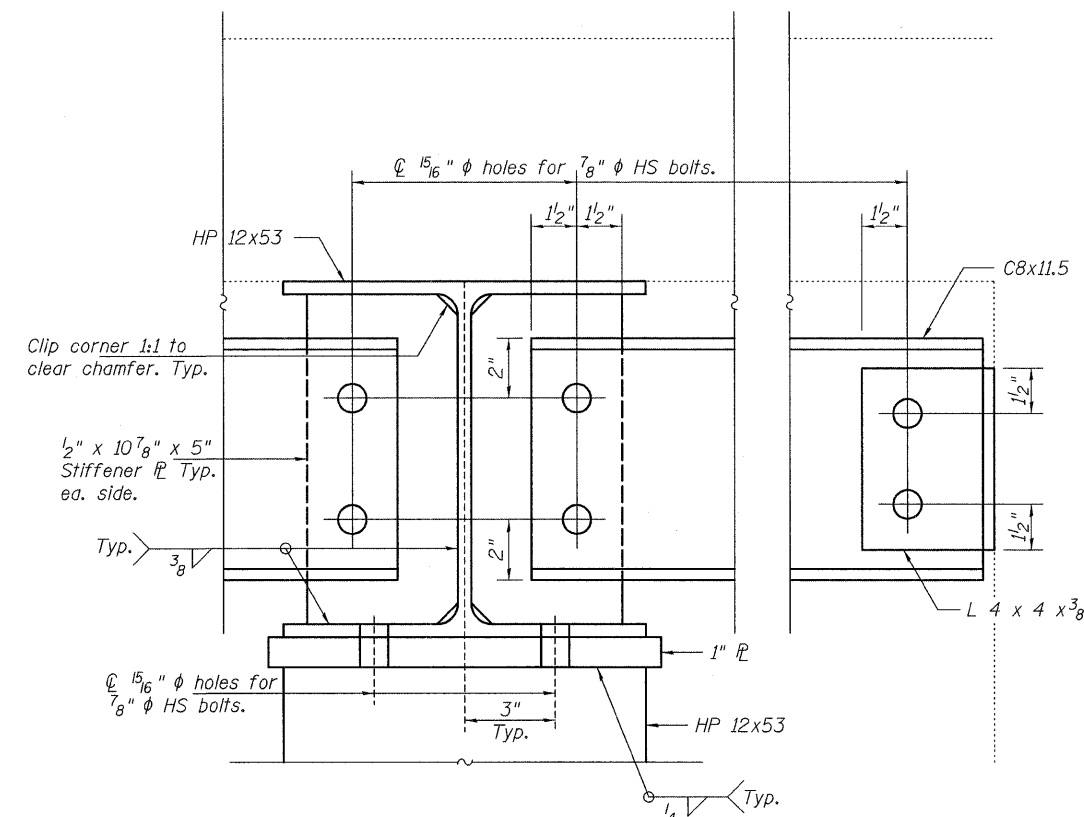
1" x 1'-1" x 1'-1"



PLAN



SECTION B-B



SECTION A-A

BILL OF MATERIAL

ITEM	UNIT	TOTAL
Furnishing and Erecting Structural Steel	Pounds	8921



REVISIONS	
NAME	DATE

ILLINOIS DEPARTMENT OF TRANSPORTATION
TEMPORARY SUPPORT DETAILS
FOR STAGE I TRAFFIC
IL RTE. 68 OVER SPRING CREEK
FAP RTE 343 - SECTION 631-A
COOK COUNTY
STATION 50+00
STRUCTURE NO. 016-2811
DRAWN BY WJV
CHECKED BY BLB
DATE 12/11/08