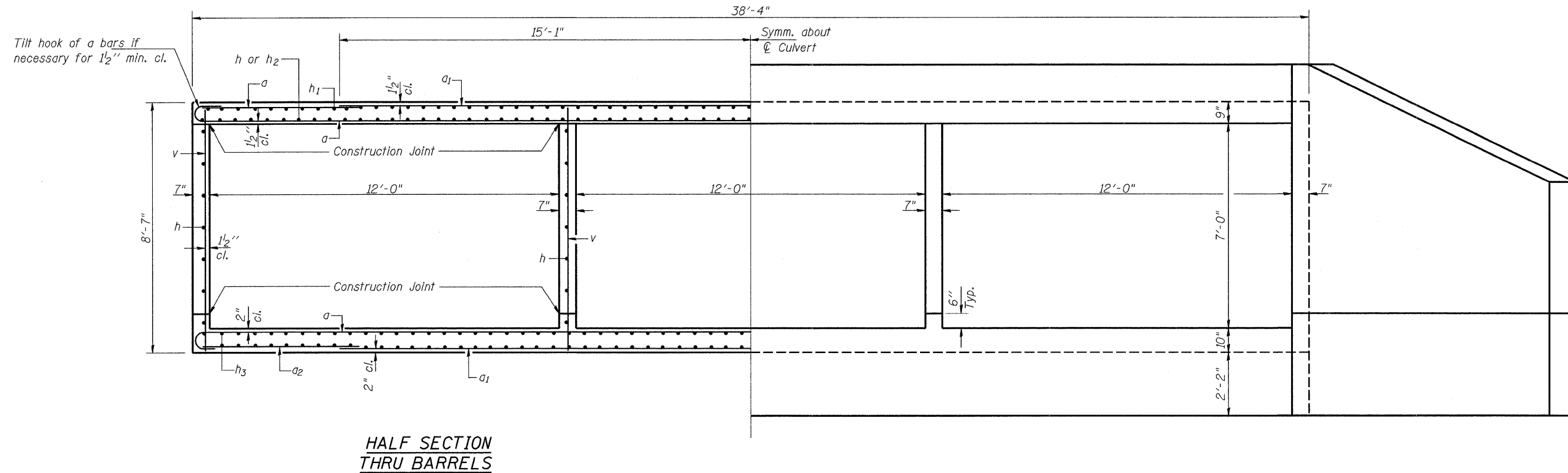


|                       |          |                   |              |           |
|-----------------------|----------|-------------------|--------------|-----------|
| F.A.P.                | SECTION  | COUNTY            | TOTAL SHEETS | SHEET NO. |
| 343                   | 631-A    | COOK              | 33           | 22        |
| FED. ROAD DIST. NO. 1 | ILLINOIS | FED. AID PROJECT- |              |           |

SHEET NO.

5 of 10

Contract No.: 62710

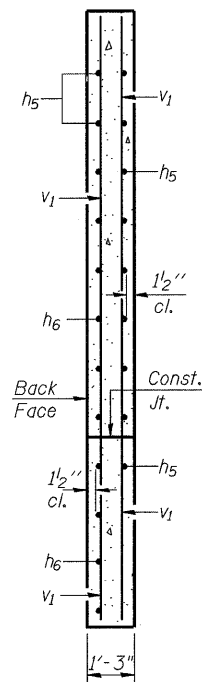


HALF SECTION THRU BARRELS

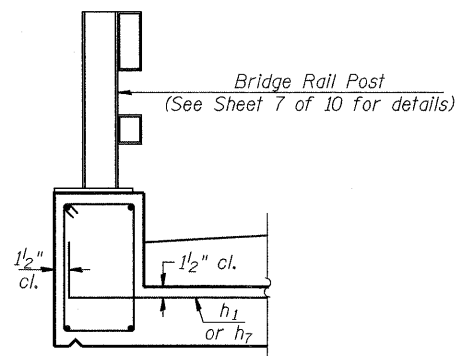
HALF END ELEVATION

MIN. BAR LAP

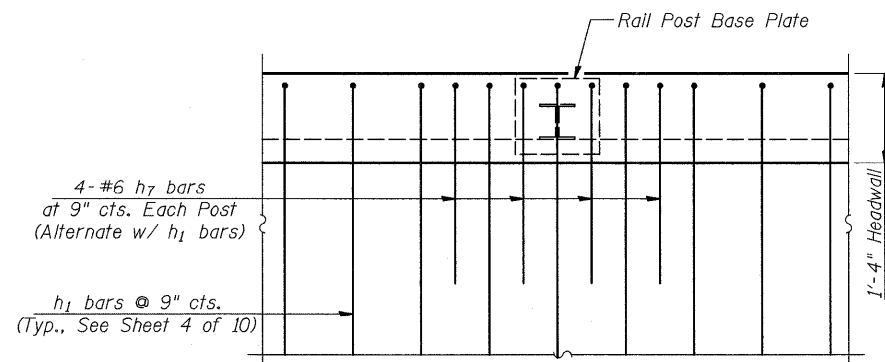
#4 bar = 1'-4"



SECTION A-A

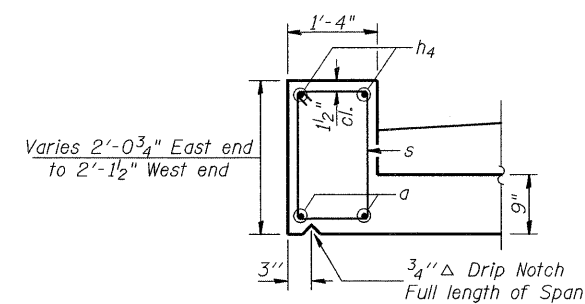


SECTION THRU HEADWALL AT BRIDGE RAIL POSTS

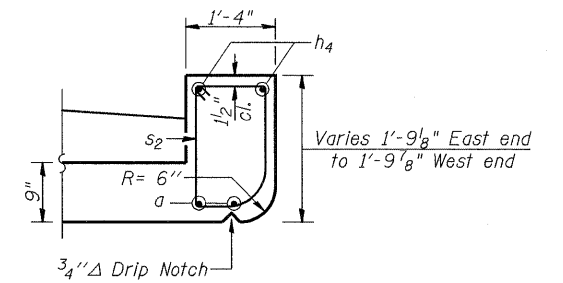


PLAN VIEW AT BRIDGE RAIL POSTS

(14 Required)



AT DOWNSTREAM END



AT UPSTREAM END

HEADWALL DETAILS



| REVISIONS |      |
|-----------|------|
| NAME      | DATE |
|           |      |
|           |      |
|           |      |
|           |      |
|           |      |
|           |      |

ILLINOIS DEPARTMENT OF TRANSPORTATION  
 CULVERT DETAILS - II  
 IL RTE. 68 OVER SPRING CREEK  
 FAP RTE 343 - SECTION 631-A  
 COOK COUNTY  
 STATION 50+00  
 STRUCTURE NO. 016-2811

DATE 12/11/08  
 DRAWN BY BLB  
 CHECKED BY WJV