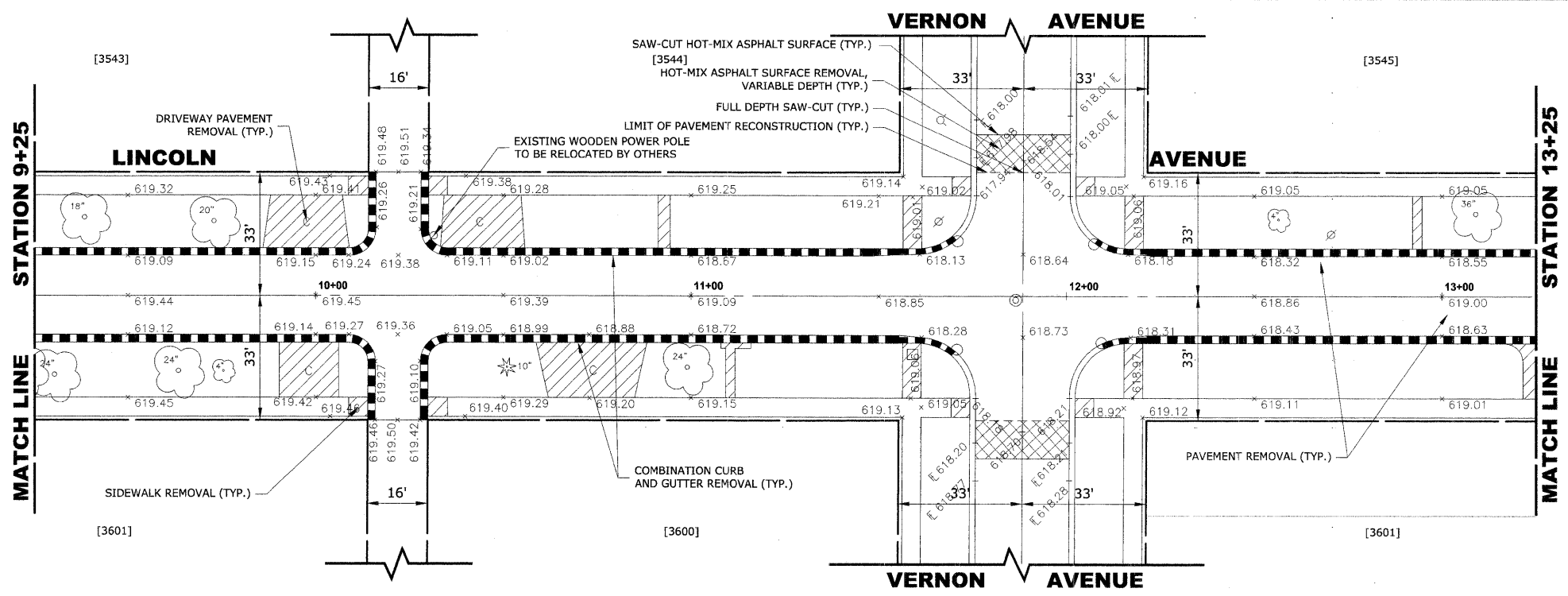
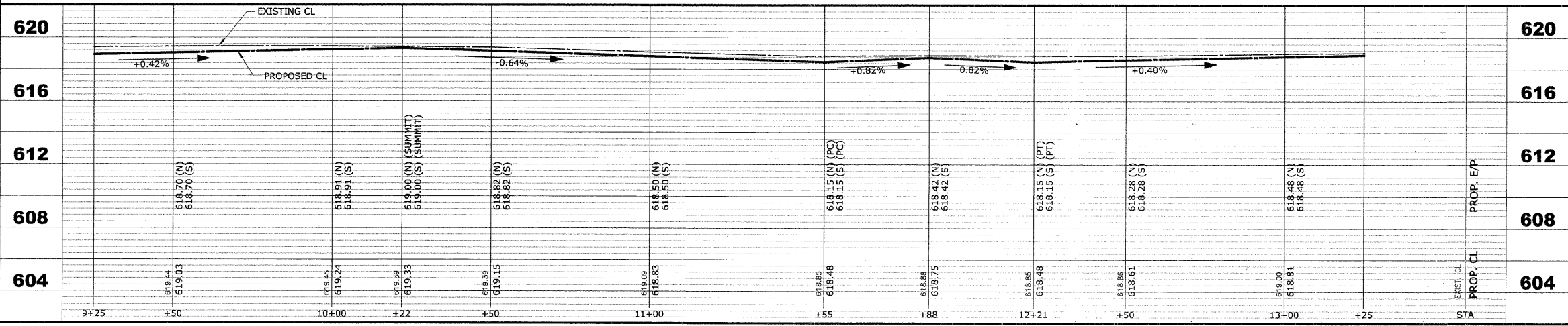
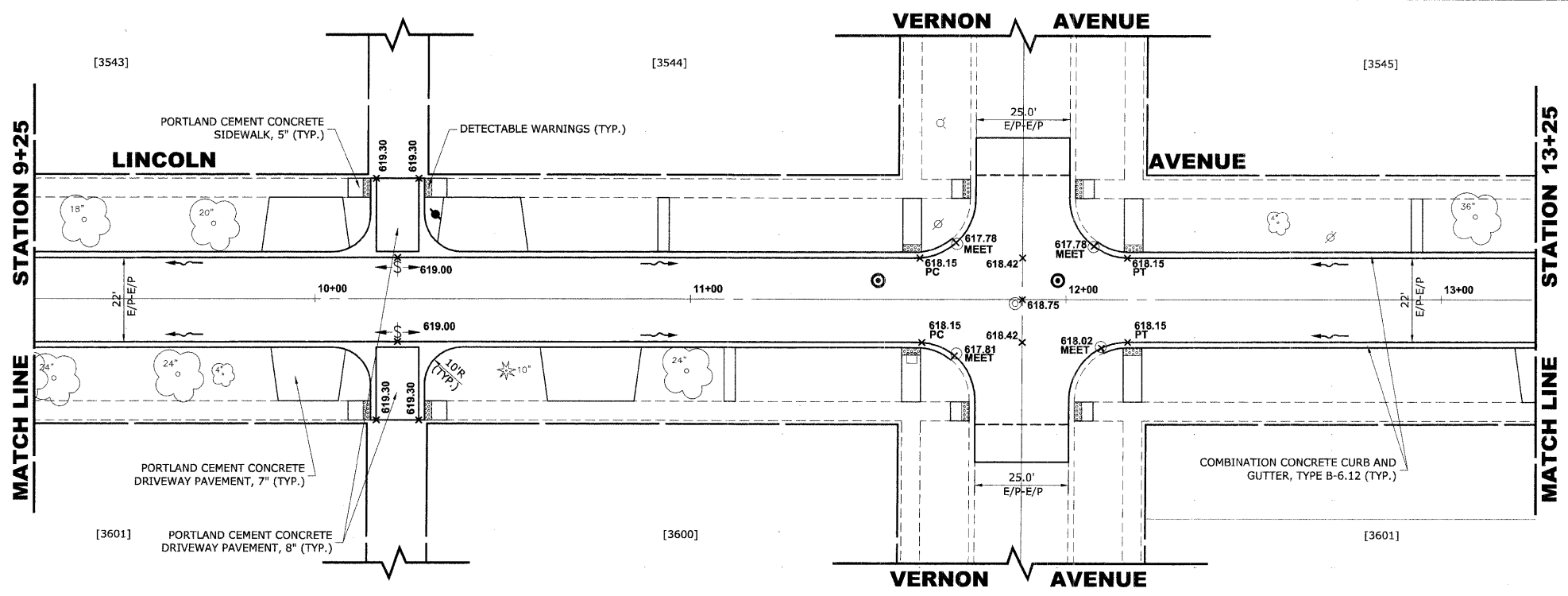


ROUTE NO.	SECTION	COUNTY	TOTAL SHEETS	SHEET NO.
FAU 1694	07-00122-00-PV	COOK	55	19
ILLINOIS PROJECT M-9003 (125)				
VILLAGE SECTION				
CONTRACT NO. 63101				



EXISTING TOPOGRAPHY



PROPOSED IMPROVEMENTS

HANCOCK ENGINEERING
 Civil Engineers
 Municipal Consultants
 Established 1911

**BROOKFIELD
 GRAND BOULEVARD IMPROVEMENTS
 LINCOLN AVENUE
 PAVING PLAN AND PROFILE**

SCALE: 1"=20'H. & 1"=4'V.
 DATE: 01-09-09
 DRAWN BY: LEVICW/MK
 CHECKED BY: JCG
 E.H.E. PROJECT NO. : 125-08-13501

Drawing file: W:\Projects\12508135 - Grand Blvd Grant to Veterans\Grand Blvd\Grand Blvd.dwg Jan 09, 2009 - 10:48am