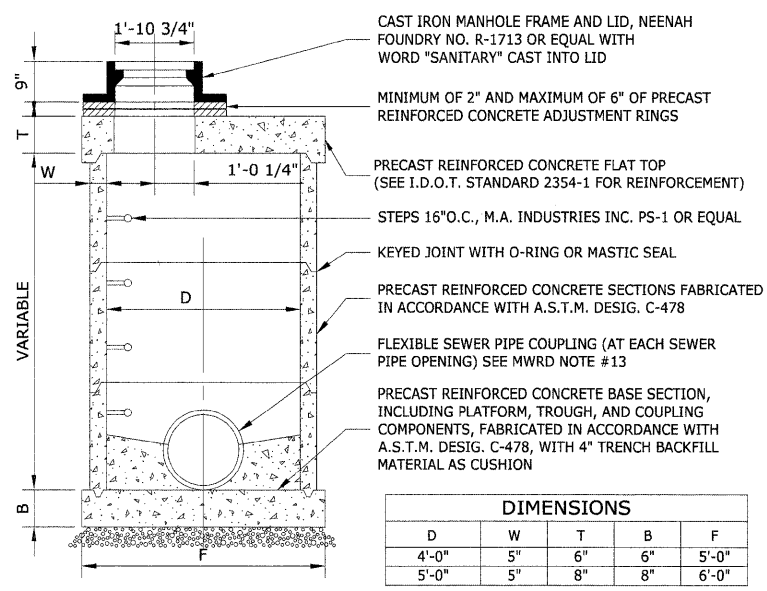


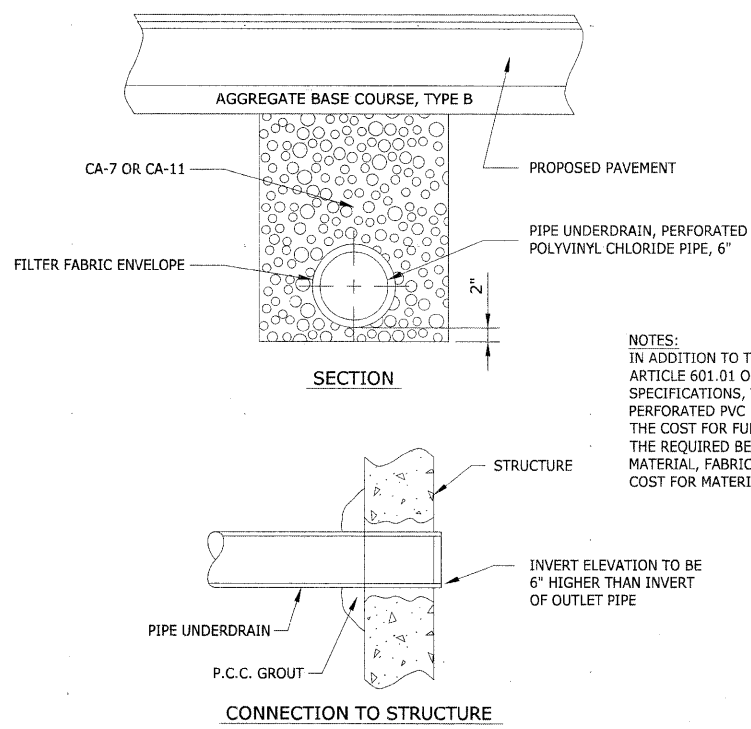
ROUTE NO.	SECTION	COUNTY	TOTAL SHEETS	SHEET NO.
FAU 1694	07-00122-00-PV	COOK	55	33
ILLINOIS PROJECT M-9003 (125)				
VILLAGE SECTION				
CONTRACT NO. 63101				



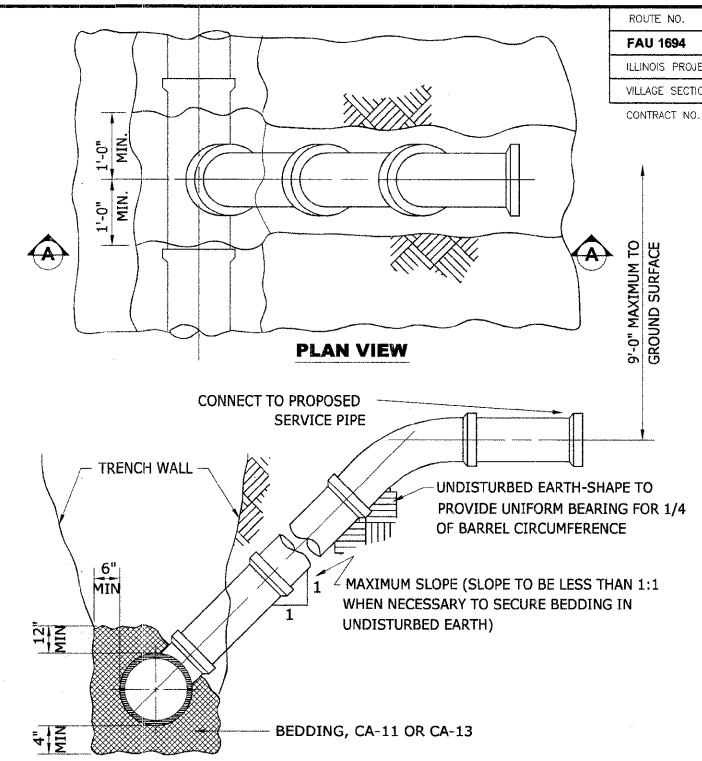
RESTRICTED DEPTH COMBINED SEWER MANHOLE

DUCTILE IRON PIPE SPECIFICATIONS

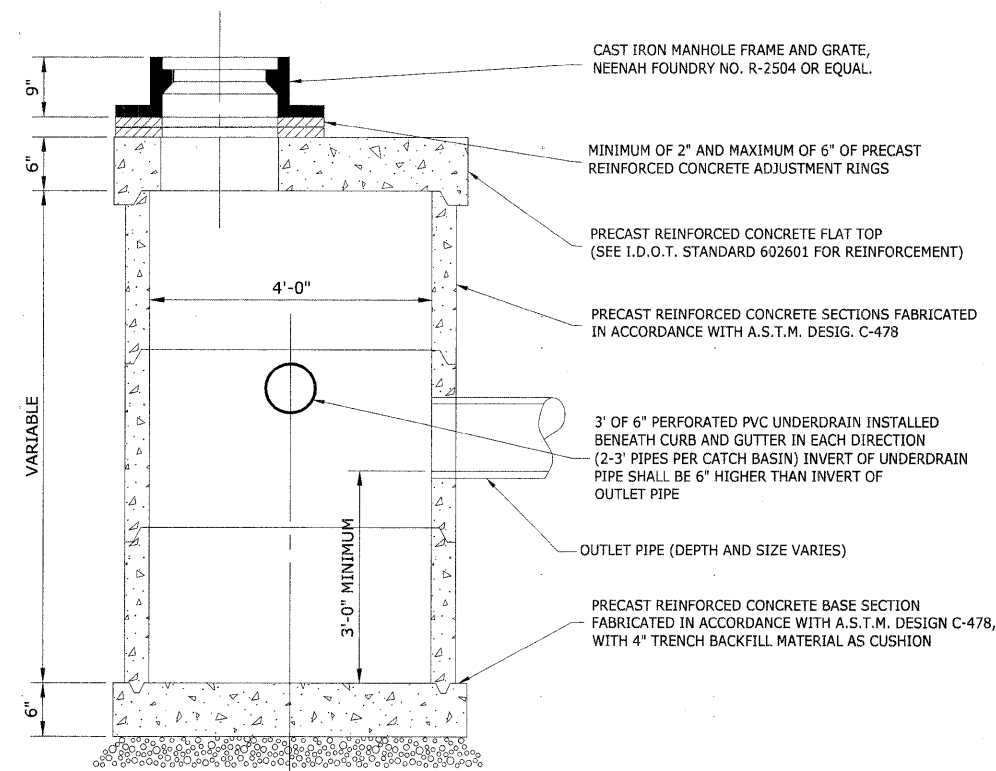
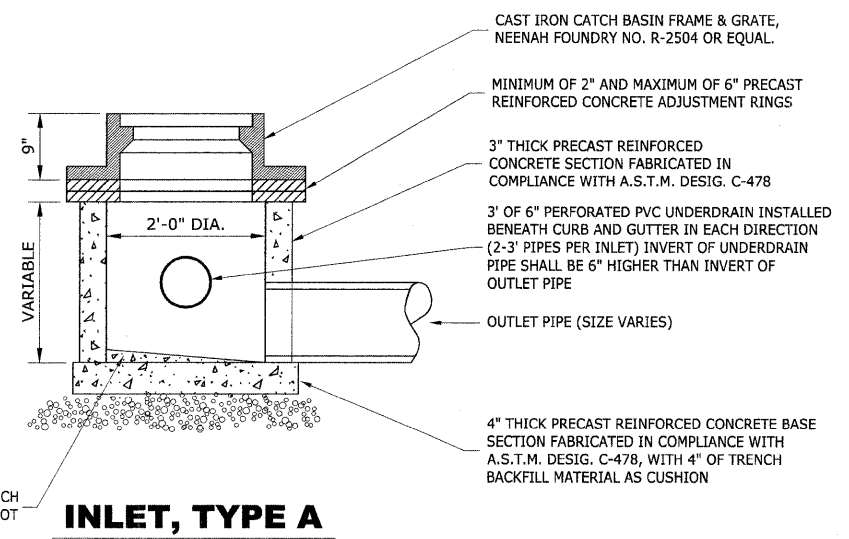
- ALL DUCTILE IRON PIPE WATER MAINS AND SEWER MAINS SHALL BE CLASS 52, CEMENT-LINED AND TAR-COATED, MEETING THE REQUIREMENTS OF SPECIFICATIONS ANSI/AWWA C151/A21.51 WITH "PUSH-ON" JOINTS MEETING THE REQUIREMENTS OF SPECIFICATIONS ANSI/AWWA C111/A21.11. WHERE SPECIFIED ON THE PLANS, OR IN THE SPECIFICATIONS, MECHANICAL JOINTS AND "LOCK-TYPE" JOINTS SHALL BE USED IN LIEU OF "PUSH-ON" JOINTS.
- ALL PIPE FITTINGS AND SPECIAL CASTINGS SHALL BE DUCTILE IRON CONFORMING TO ANSI/AWWA C153/A21.53 AND ANSI/AWWA C111/A21.11 SPECIFICATIONS AND SHALL MEET THE MINIMUM REQUIREMENTS OF CLASS 150 DUCTILE IRON PIPE. IF CERTAIN FITTINGS ARE NOT MANUFACTURED IN DUCTILE IRON, CAST IRON FITTINGS SHALL BE ACCEPTABLE. MECHANICAL JOINT TYPE FITTINGS SHALL BE USED.
- ALL PROPOSED DUCTILE IRON PIPE WATER MAIN AND SEWER MAIN WILL BE ENCASED WITHIN FOUR (4) MIL THICK, HIGH-DENSITY POLYETHYLENE TUBING. ALL FITTINGS SHALL BE ENCASED IN A DOUBLE-LAYER OF POLYETHYLENE TUBING. THE POLYETHYLENE MATERIAL SHALL BE MANUFACTURED AND INSTALLED IN COMPLIANCE WITH ANSI/AWWA C105/A21.5. ALL PROPOSED WATER AND SEWER SERVICES SHALL BE ENCASED IN POLYETHYLENE TUBING FOR A MINIMUM DISTANCE OF THREE FEET (3') FROM THE PROPOSED WATER MAIN AND SEWER MAIN.



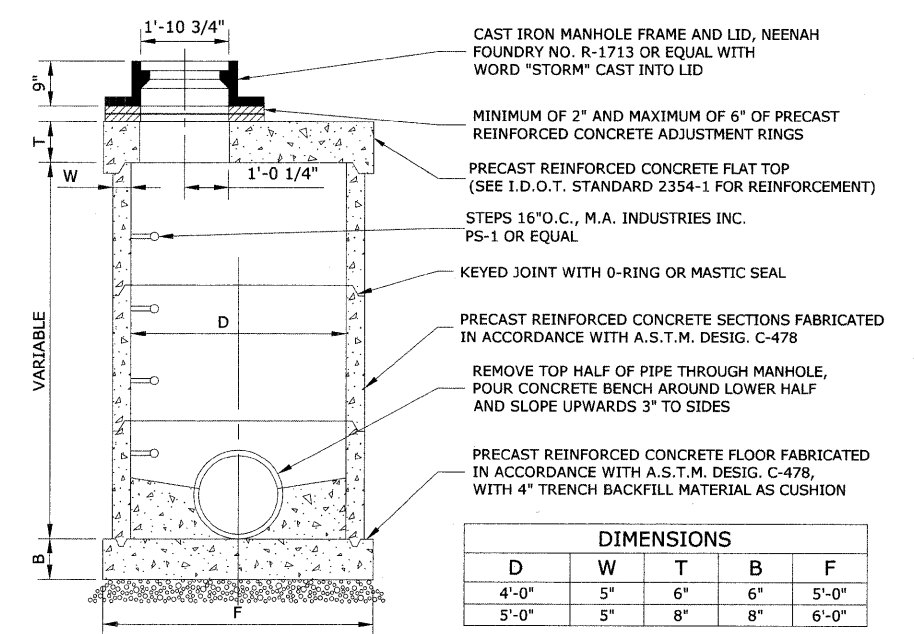
PIPE UNDERDRAIN DETAIL



TYPICAL RISER FOR SERVICE LATERAL



RESTRICTED DEPTH CATCH BASIN



RESTRICTED DEPTH STORM MANHOLE

REVISION:	

HANCOCK ENGINEERING ♦ Civil Engineers ♦ Municipal Consultants ♦ Established 1911

9033 Riverport Road
Woodstock, Illinois 60097-2700
Phone: 708/565-6200
Fax: 708/565-2212

BROOKFIELD GRAND BOULEVARD IMPROVEMENTS DRAINAGE AND UTILITIES DETAILS

DRAWN BY: LEV/ECW/MK
CHECKED BY: JCG
DATE: 01-09-09

SCALE: NOT TO SCALE

E.H.E. PROJECT NO.: 125-08-13501

Drawing file: W:\Projects\12508135 - Grand Blvd Grant to Veterans\Drainage-Details.dwg Jan 09, 2009 - 9:44am