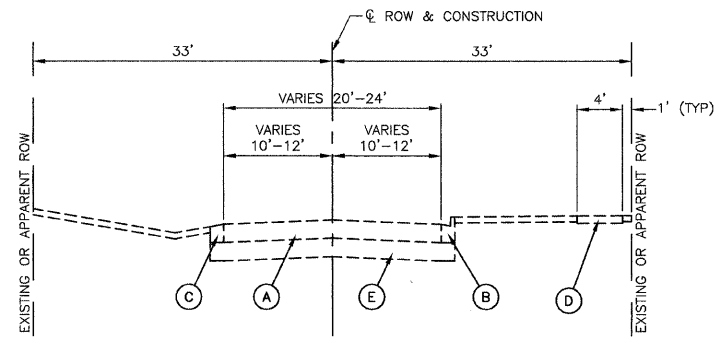


|                     |                |                  |              |           |
|---------------------|----------------|------------------|--------------|-----------|
| F. A. U. NO.        | SECTION        | COUNTY           | TOTAL SHEETS | SHEET NO. |
| 4304                | 04-00045-00-FP | WILL             | 033          | 005       |
| STA.                | TO STA.        |                  |              |           |
| FED. ROAD DIST. NO. | ILLINOIS       | FED. AID PROJECT |              |           |

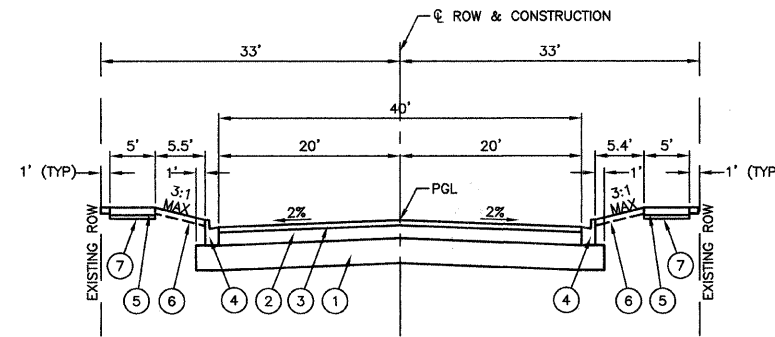
CONTRACT #63108



EXISTING TYPICAL CROSS SECTION

EXISTING LEGEND

- (A) BITUMINOUS PAVEMENT (2"-4")
- (B) M-6.12 CURB AND GUTTER
- (C) INTERMITTENT GRAVEL SHOULDER
- (D) CONCRETE SIDEWALK
- (E) AGGREGATE SUB-BASE (10"-14")



PROPOSED TYPICAL CROSS SECTION

STA 0+19 TO STA 27+50

PROPOSED LEGEND

- (1) AGGREGATE SUBGRADE - 12"
- (2) HOT MIX ASPHALT BASE COURSE, (HMA BINDER IL-19, N50) - 7"
- (3) HOT MIX ASPHALT SURFACE COURSE, MIX D, N50 - 2"
- (4) COMBINATION CONCRETE CURB AND GUTTER, TYPE B-6.12
- (5) P.C.C. SIDEWALK - 5" (6" THRU DRIVEWAYS) - REFER TO PLANS FOR LOCATIONS
- (6) TOPSOIL, 6" AND SODDING SALT TOLERANT (SPECIAL)
- (7) AGGREGATE BASE, 3" (INCIDENTAL TO PCC SIDEWALK)

| HOT-MIX ASPHALT MIXTURE REQUIREMENTS                       |            |               |
|--|------------|---------------|
| MIXTURE TYPE   | AC TYPE    | AIR VOIDS     |
| FULL DEPTH PAVEMENT, 9"                                    |            |               |
| HOT-MIX ASPHALT SURFACE COURSE, MIX D, N50; (IL 9.5mm), 2" | PG 64-22   | 4% AT 50 Gyr  |
| HOT-MIX ASPHALT BASE COURSE, (HMA BINDER IL-19mm), 7"      | PG 64-22 * | 4% AT 50 Gyr. |
| DRIVEWAYS  |            |               |
| HOT-MIX ASPHALT SURFACE COURSE, MIX C, N50 (IL 9.5mm)      | PG 64-22   | 4% AT 50 Gyr  |
| HOT-MIX ASPHALT BASE COURSE, (HMA BINDER IL-19mm)          | PG 64-22 * | 4% AT 50 Gyr  |

THE UNIT WEIGHT USED TO CALCULATE ALL HOT-MIX ASPHALT SURFACE MIXTURE QUANTITIES IS 112 lbs/sq yd/ in.  
 \*WHEN RAP EXCEEDS 20%, THE NEW ASPHALT BINDER IN THE MIX SHALL BE PG 58-22

| REVISIONS |      |
|-----------|------|
| NAME      | DATE |
|           |      |
|           |      |
|           |      |
|           |      |
|           |      |
|           |      |

ILLINOIS DEPARTMENT OF TRANSPORTATION

**RATHJE ROAD  
ROAD RECONSTRUCTION  
TYPICAL CROSS SECTIONS**

SCALE: VERT. NA  
 HORIZ. NA  
 DATE 09-18-09

DRAWN BY AG  
 CHECKED BY HLG

ROBINSON ENGINEERING, LTD.  
 17000 SOUTH PARK AVENUE SOUTH HOLLAND, ILLINOIS 60473  
 (708) 381-8700 FAX (708) 381-2828  
 ILLINOIS DESIGN FIRM REGISTRATION NO. 156001.150 05025\_04-TYPX-01