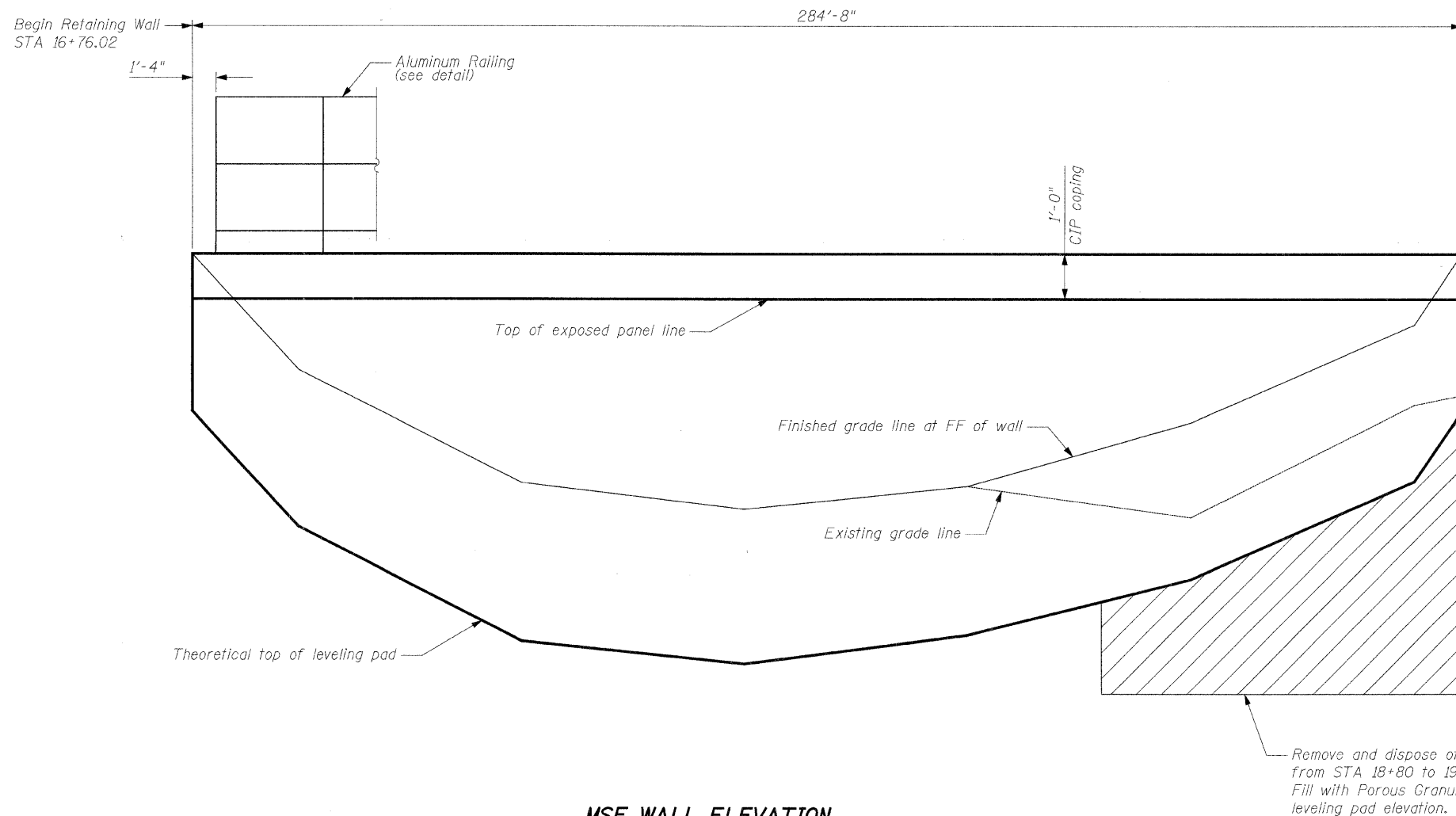
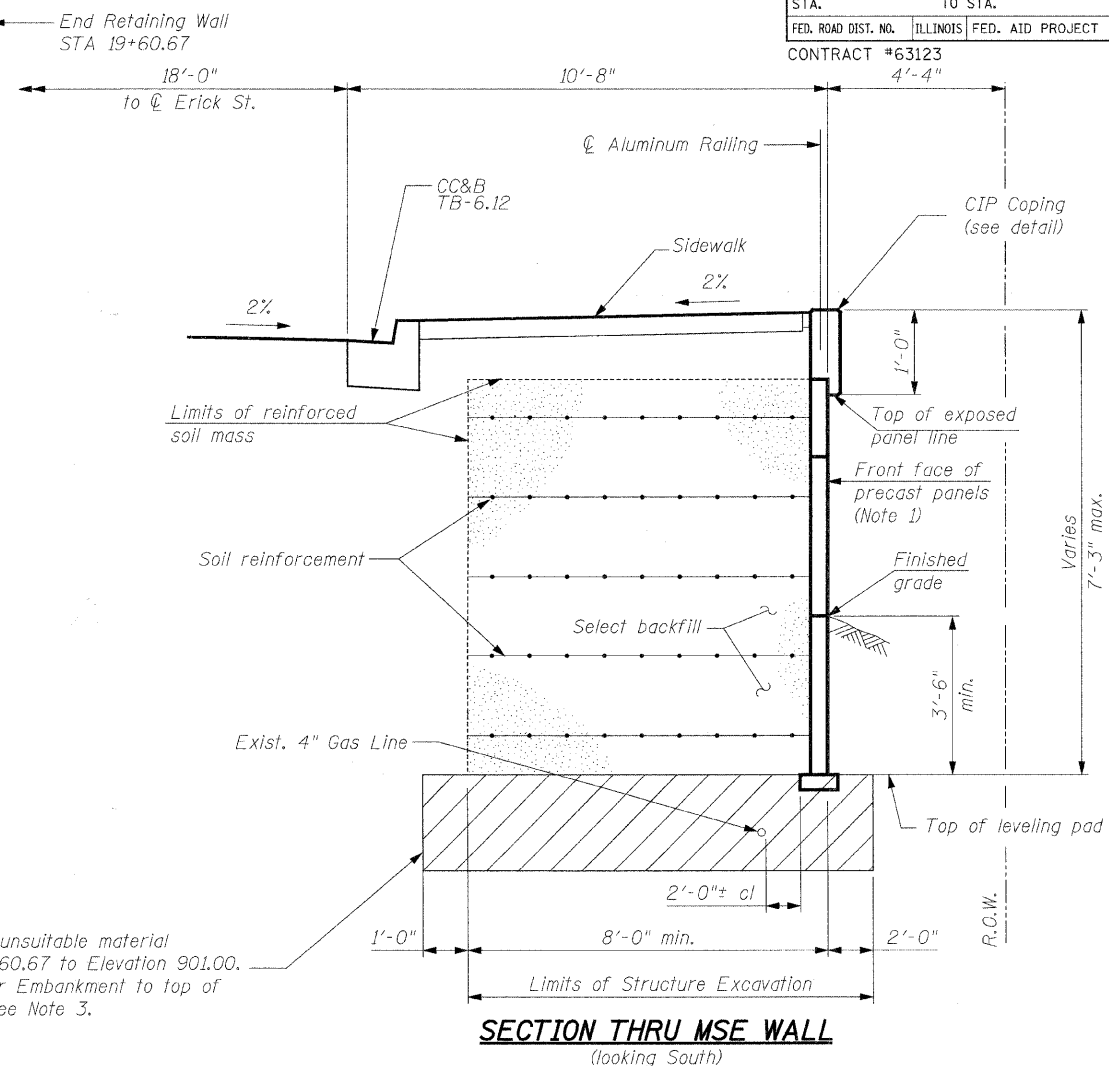


FAU RTE.	SECTION	COUNTY	TOTAL SHEETS	SHEET NO.
0125	96-00091-00-FP	MCHENRY	73	56
STA.	TO STA.			
FED. ROAD DIST. NO.	ILLINOIS	FED. AID PROJECT		
CONTRACT #63123				



**MSE WALL ELEVATION**



**SECTION THRU MSE WALL**  
(looking South)

**TABLE OF WALL ELEVATIONS**

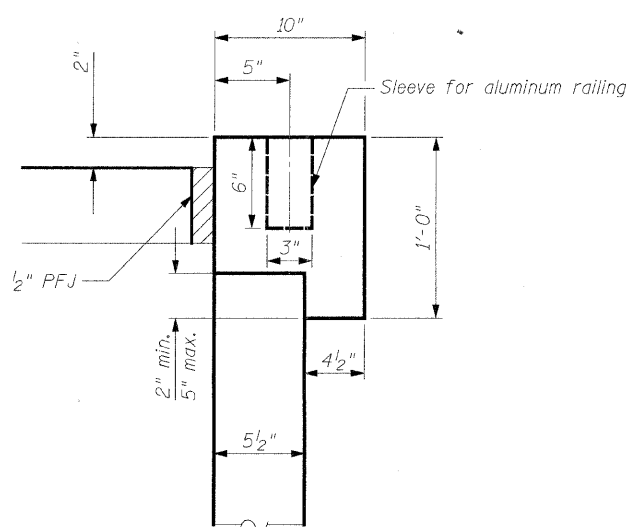
Item	STA 16+76.02	STA 17+00.00	STA 17+50.00	STA 18+00.00	STA 18+50.00	STA 19+00.00	STA 19+50.00	STA 19+60.67
Top of exposed panel line	925.26	924.48	922.53	920.13	917.40	914.63	911.86	911.29
Finished grade line at FF of wall	926.26	922.90	918.40	915.50	913.40	911.88	911.29	912.29
Theoretical top of leveling pad	922.76	919.40	914.90	912.00	909.90	908.38	907.79	908.79

**BILL OF MATERIAL**

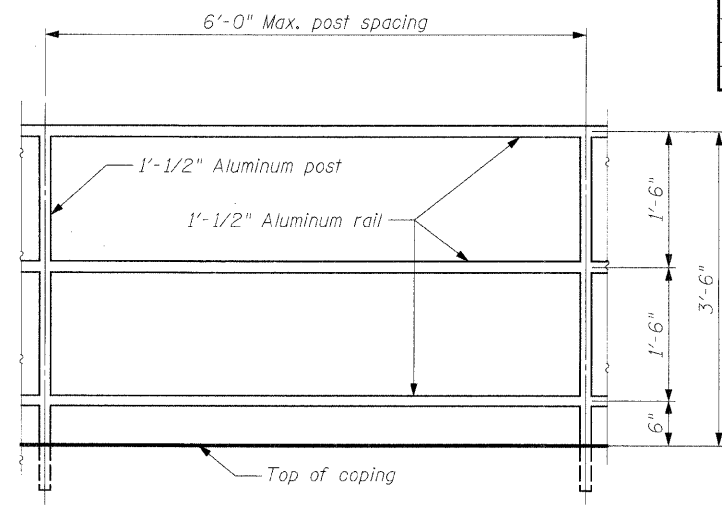
Item	Unit	Total
Removal and Disposal of Unsuitable Material	Cu. Yd.	332.6
Porous Granular Embankment	Cu. Yd.	332.6
Structure Excavation	Cu. Yd.	503.7
Aluminum Railing	Foot	282
Mechanically Stabilized Earth Retaining Wall	Sq. Ft.	1830

**NOTES**

- The front face of the precast panels shall have random cut stone finish such as Florida Ashlar (Pattern 17000) of Fitzgerald Formliners, Santa Ana, CA 92701, or similar stone finish as approved by the Engineer prior to wall construction.
- Aluminum Railing posts to be set in fast-setting, non-shrinking grout.
- Porous Granular Embankment shall be in accordance with Section 207 of the Standard Specifications.



**CIP COPING DETAIL**



**ALUMINUM RAILING DETAIL**  
(See Note 2)

REVISIONS	
NAME	DATE

CITY OF CRYSTAL LAKE  
ERICK STREET (FAU 0125)  
RETAINING WALL

SCALE: NONE  
DATE: DECEMBER 15, 2008

DRAWN BY: A. DURBAK  
CHECKED BY: A. YARGICOLU