

FAU	SECTION	COUNTY	TOTAL SHEETS	SHEET NO.
0125	96-00091-00-FP	MCHENRY	73	60
STA. 15+72.77 TO 18+00.00 HORIZ. 1" = 10' VERT. 1" = 5'				

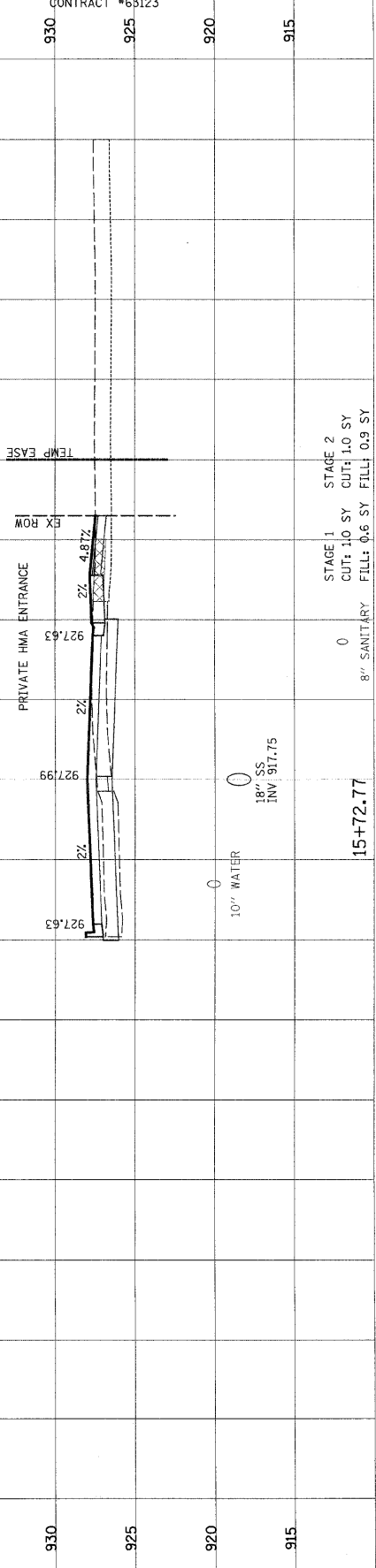
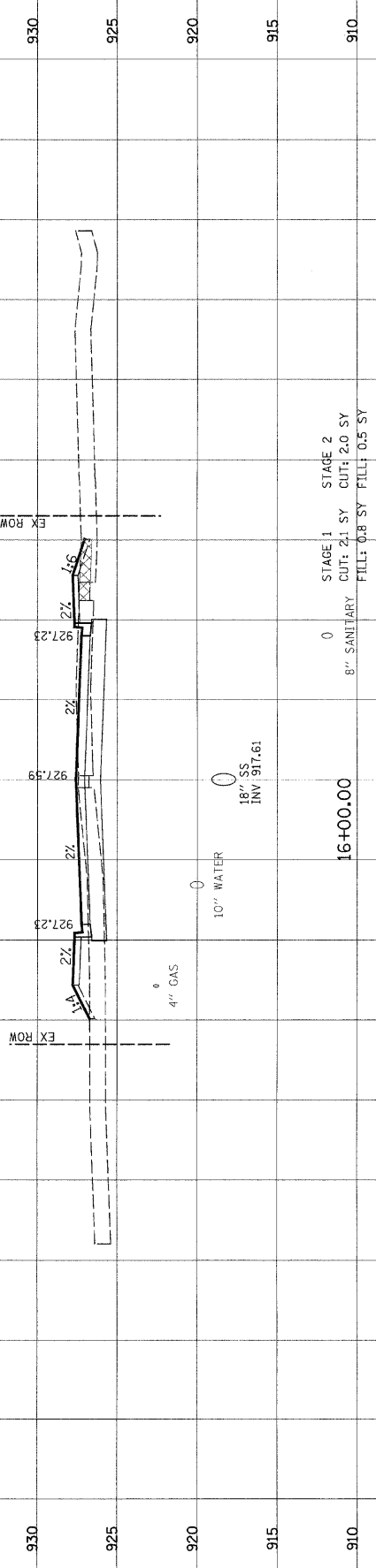
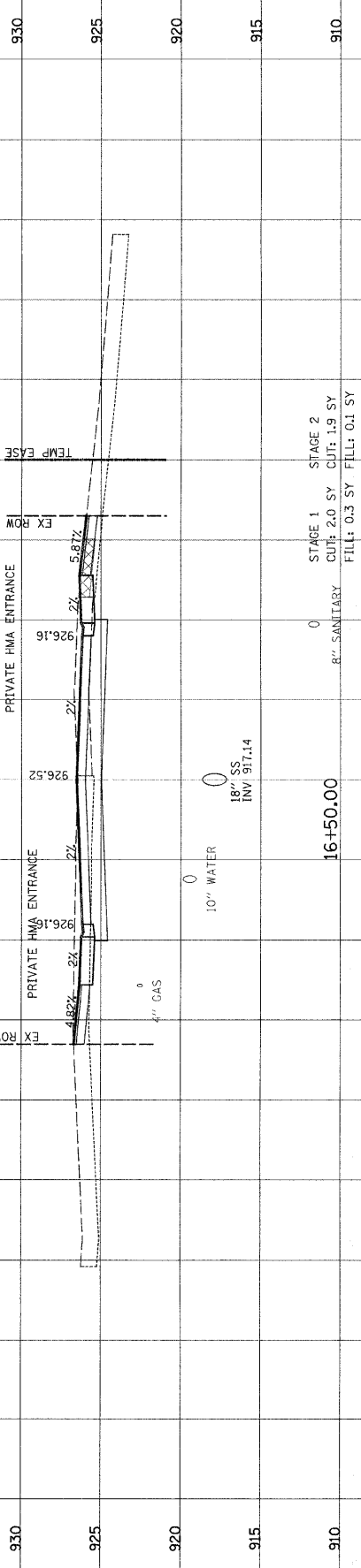
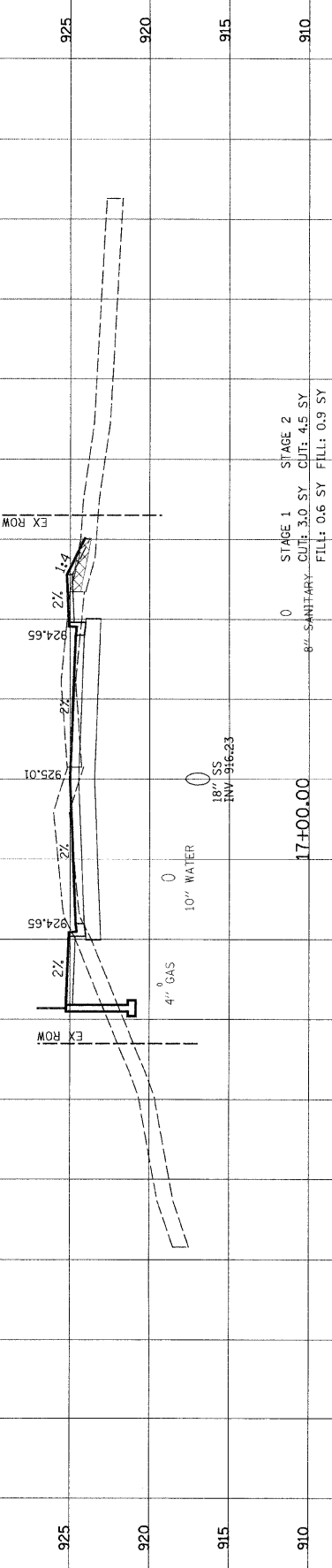
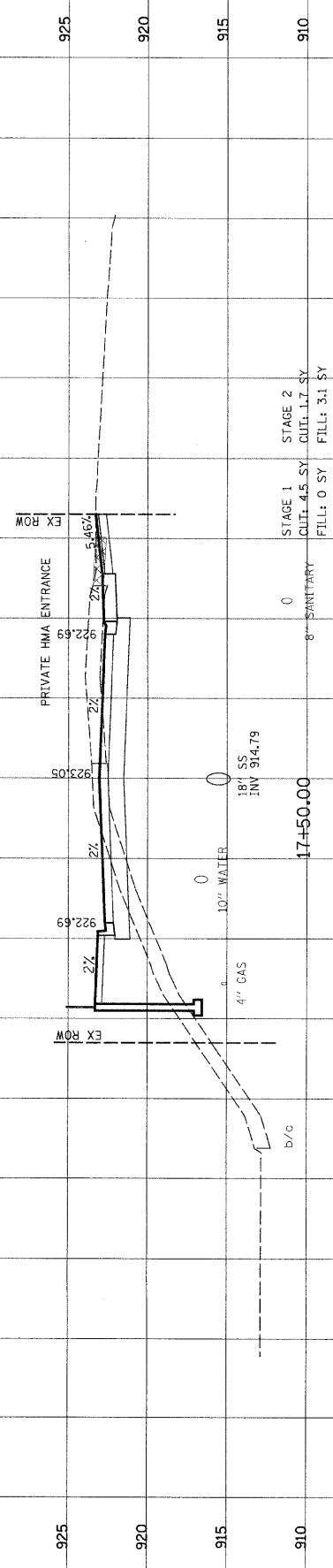
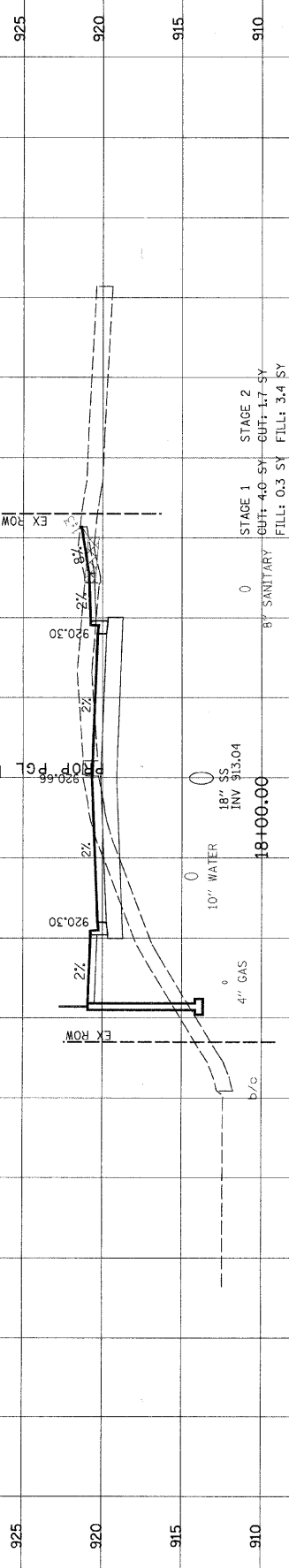
CONTRACT #65123

930 925 920 915

FINAL SURVEY	BY	DATE
NOTE BOOK		
NO.		

ORIGINAL SURVEY	BY	DATE
NOTE BOOK		
NO.		

ERICK STREET



80 70 60 50 40 30 20 10 0 10 20 30 40 50 60 70 80