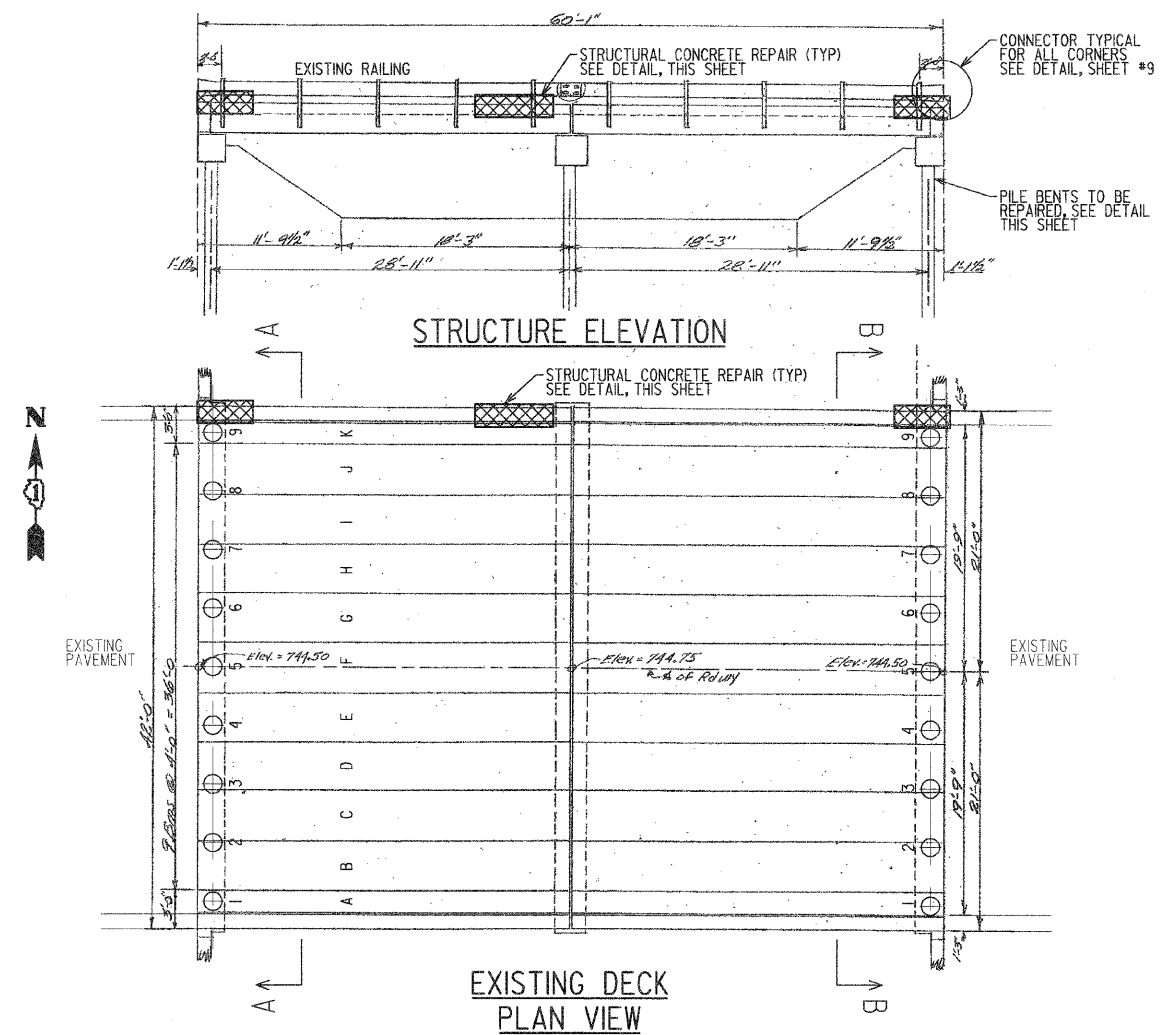
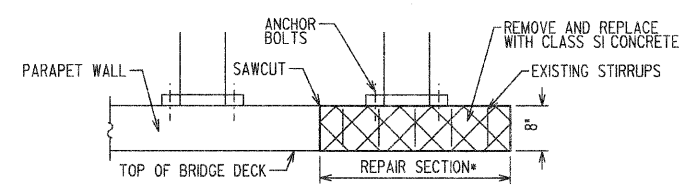


F.A.U. RTE.	SECTION	COUNTY	TOTAL SHEETS	SHEET NO.
1369	08-00082-00-BR	DUPAGE	13	8

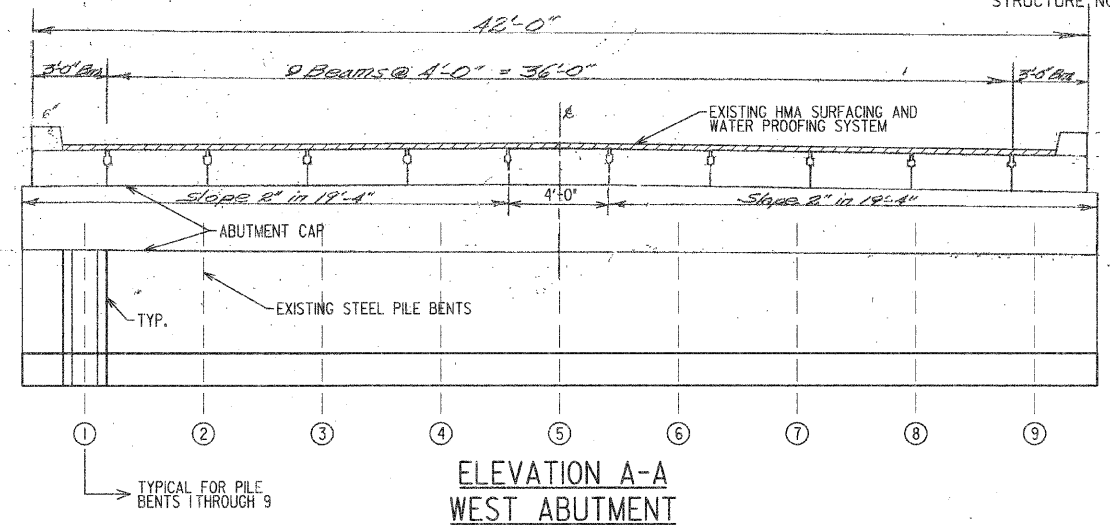
STRUCTURE, NO. 22-3021



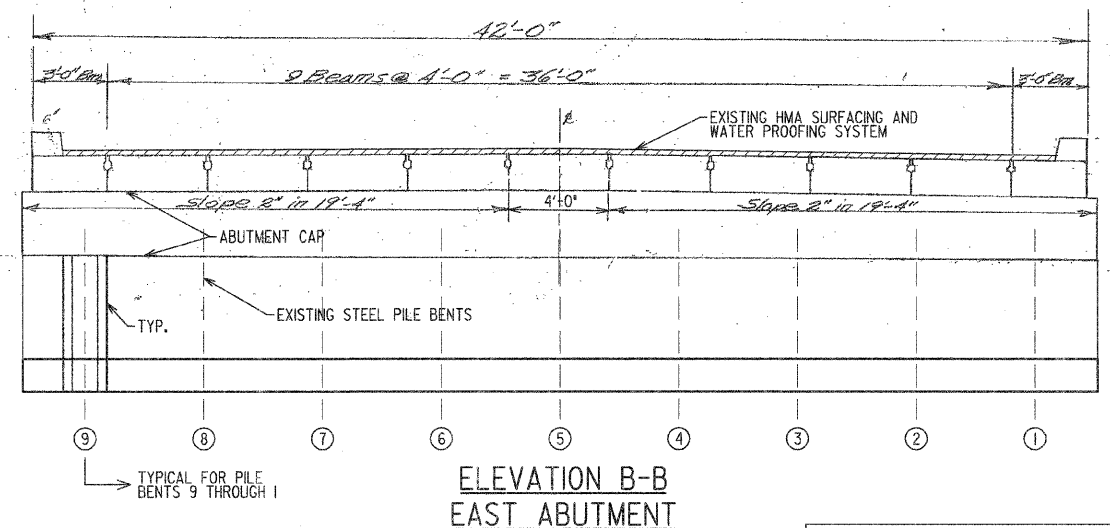
- B THROUGH J INTERIOR BEAM
- A & K OUTER BEAM
- 1 THROUGH 9 PILE BENTS (WEST ABUTMENT)
- 1 THROUGH 9 PILE BENTS (EAST ABUTMENT)



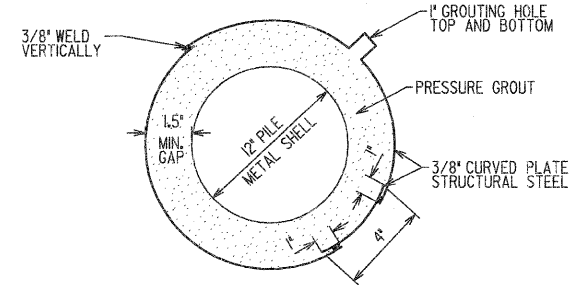
**DETAIL FOR STRUCTURAL CONCRETE REPAIR**  
 \*AS DIRECTED BY ENGINEER



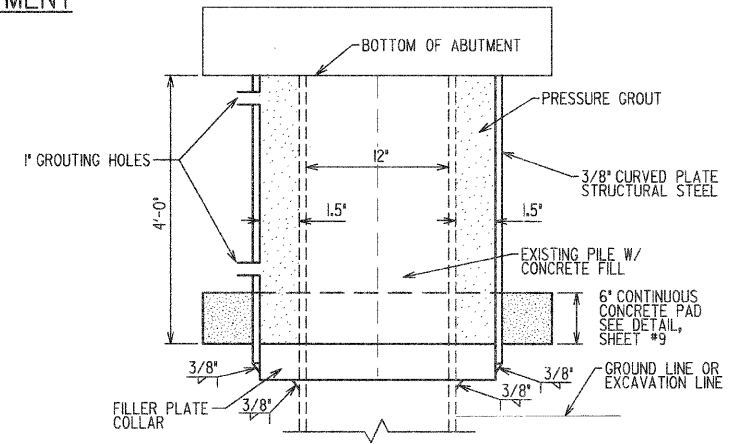
**ELEVATION A-A WEST ABUTMENT**



**ELEVATION B-B EAST ABUTMENT**



**ENCASING PLATE DETAIL FOR FABRICATION**



**PILE BENT REPAIR DETAIL  
 1 THROUGH 9, WEST ABUTMENT  
 9 THROUGH 1, EAST ABUTMENT**

NOTE: FOR REBAR DETAIL, SEE SHEET #9

REVISIONS		DESCRIPTION		DESCRIPTION	
DATE	BY	DATE	BY	DATE	BY

PLOTTED BY: AMR	ON
DESIGNED BY: VP	ON
DRAWN BY: AMR	ON
CHECKED BY: VP	ON
APPROVED BY: DVM	ON

**PAVIA-MARTING & Co.**  
 910 WEST LAKE STREET  
 ROSELLE, IL 60172-3352  
 (630) 529-8000 FAX (630) 894-4910  
 Design Firm Professional Registration #184002376

TITLE:	<b>SCHICK ROAD BRIDGE REHABILITATION          PILE BENT ENCASUREMENT DETAIL AND LOCATION</b>
SCALE:	NONE
DATE:	10/27/08
JOB NO.:	2826
SHEET:	8 OF 18