

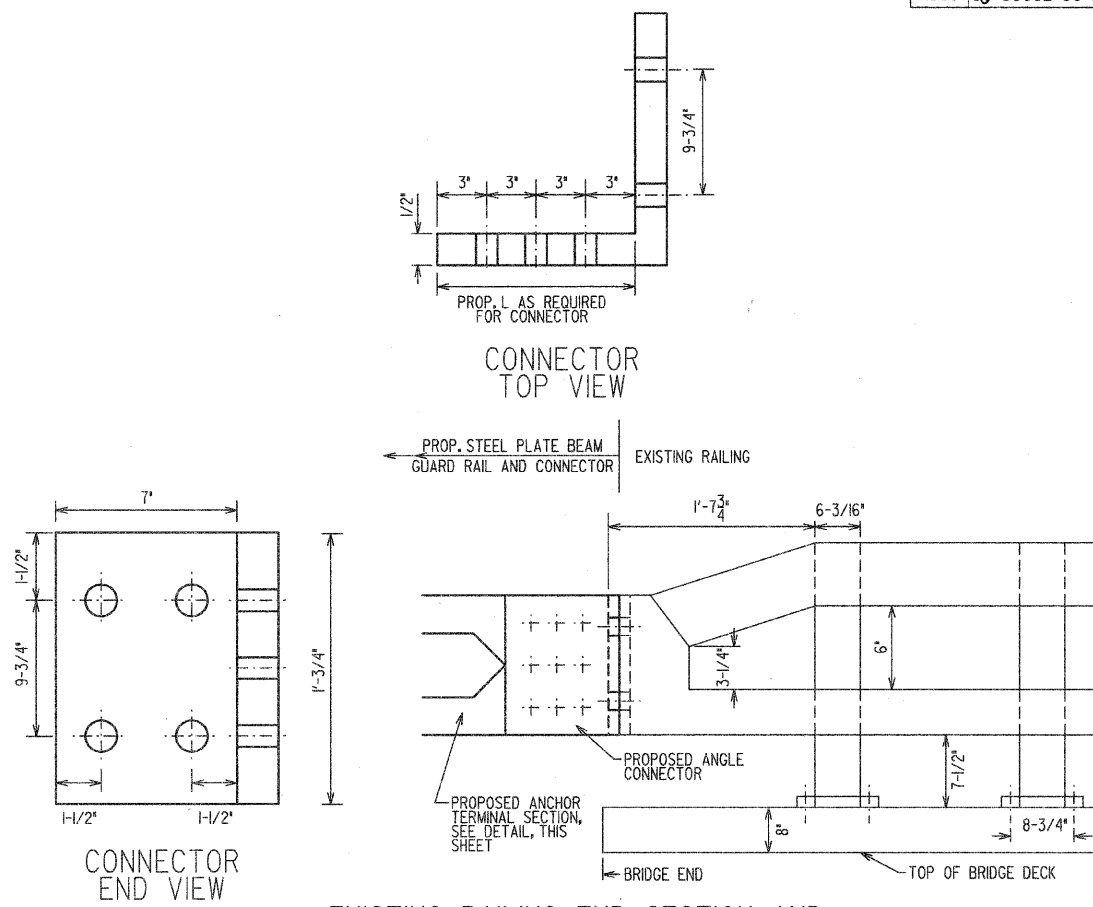
PROPOSED LIMIT OF EXCAVATION DETAIL

TYPICAL FOR EAST AND WEST ABUTMENTS

NOTE #1: ALL EXCAVATION SHALL BE DONE FROM ROADWAY EMBANKMENT SIDE. NO EQUIPMENT ENTRY FROM RIVER SIDE WILL BE ALLOWED.

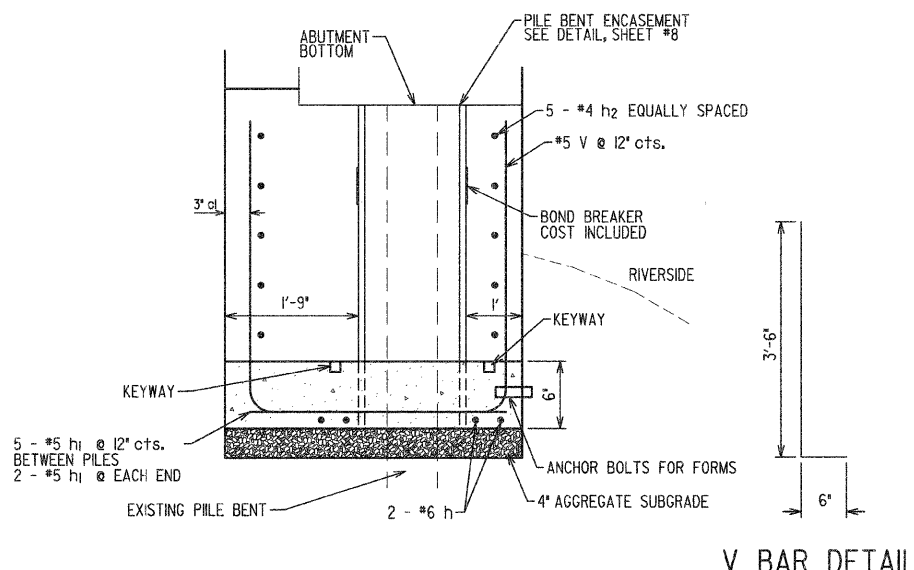
NOTE #2: FOR EXISTING PILE ENCASING DETAIL SEE SHEET #8

NOTE #3: CONTRACTOR WILL BE REQUIRED TO INSTALL THE FORMS WHICH ARE TO BE REMOVED AFTER THE CLASS SI CONCRETE IS PLACED THROUGHOUT THE LENGTH OF THE ABUTMENT.



EXISTING RAILING END SECTION AND PROPOSED CONNECTOR ELEVATION

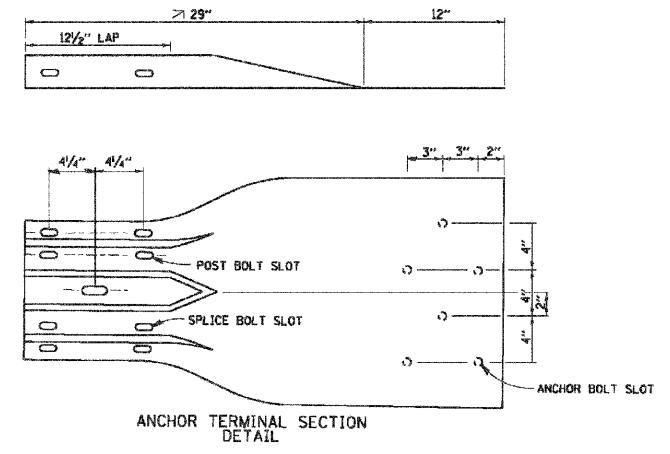
NOTE: CONTRACTOR IS REQUIRED TO VERIFY EXISTING DIMENSIONS BEFORE ORDERING CONNECTOR ACCESSORIES FOR STEEL PLATE BEAM GUARDRAIL. CONTRACTOR WILL BE REQUIRED TO SUBMIT SHOP DRAWINGS TO THE ENGINEER FOR APPROVAL TWO WEEKS PRIOR TO ORDERING MATERIAL. THE COST OF THE PROPOSED CONNECTOR ACCESSORIES ARE INCLUDED IN STEEL PLATE BEAM GUARDRAIL (SPECIAL). COST PER LINEAL FOOT OF CONTRACT UNIT PRICE.



CONTINUOUS CONCRETE WALL DETAIL FOR ENCASMENT PILES

BILL OF MATERIAL FOR PILE ENCASMENT EAST AND WEST ABUTMENT

	NO.	SIZE	LENGTH (FT)	WEIGHT (LB)	
V	172	#5	4	718	
h	24	#6	16	577	
h1	78	#5	2	260	
h2	60	#4	16	642	
REINFORCEMENT TOTAL				2,197	LBS
CONCRETE - CLASS I				39.0	CY
METAL SHEEL PILE ENCASMENT				18	EACH



REVISIONS		DESCRIPTION		DESCRIPTION	
DATE	BY	DATE	BY	DATE	BY

PLOTTED BY: AMR ON 1
 DESIGNED BY: VP ON
 DRAWN BY: AMR ON
 CHECKED BY: VP ON
 APPROVED BY: DVM ON

PAVIA-MARTING & Co.
 910 WEST LAKE STREET
 ROSELLE, IL 60172-3352
 (630) 529-8000 FAX (630) 894-4910
 Design Firm Professional Registration #184002376

TITLE: **SCHICK ROAD BRIDGE REHABILITATION ABUTMENT CURTAIN WALL DETAIL**

SCALE: NONE
 DATE: 10/2/08
 JOB NO: 2826
 SHEET 9 OF 18