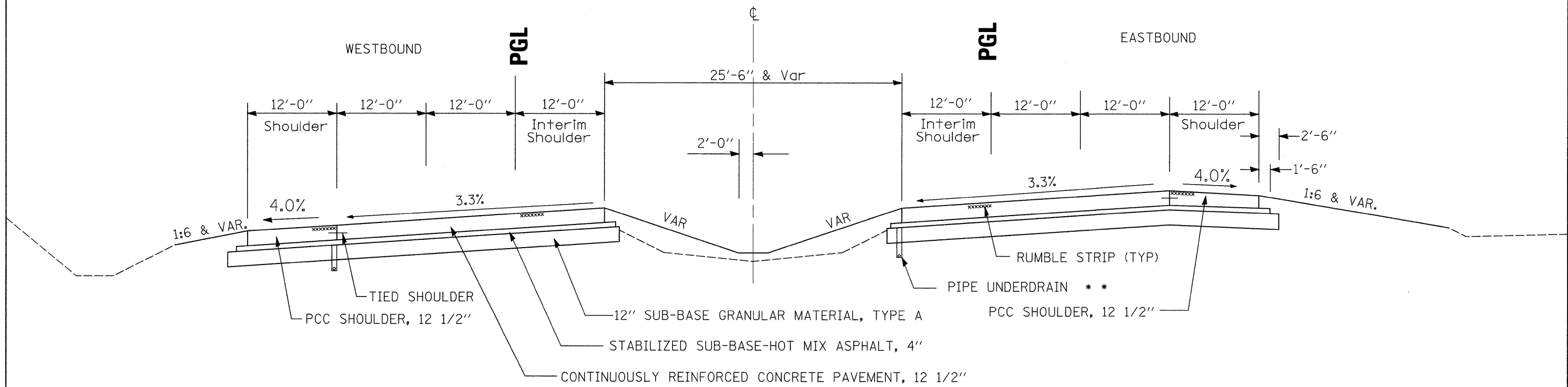


PROPOSED TYPICAL SECTION

N.T.S.

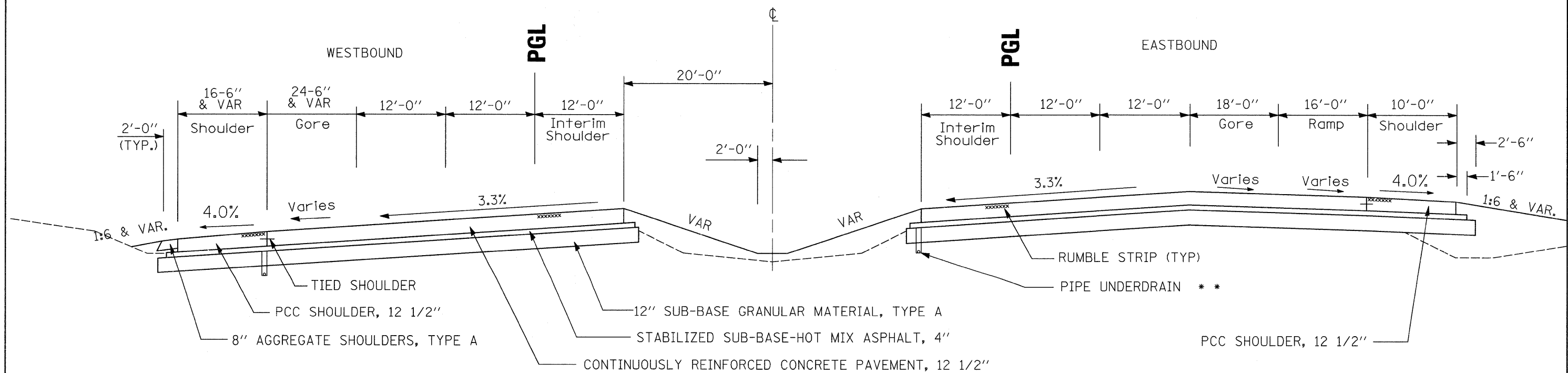
STA 66 + 20 TO STA 68 + 33



PROPOSED TYPICAL SECTION, SUPERELEVATION W/ RAMPS

N.T.S.

STA 68 + 33 TO STA 76 + 81



** AS SCHEDULED

REVISOR SHEET 2/23/09

FILE NAME =	USER NAME = grantpm	DESIGNED -	REVISED -	STATE OF ILLINOIS DEPARTMENT OF TRANSPORTATION	TYPICAL SECTIONS			F.A. RTE.	SECTION	COUNTY	TOTAL SHEETS	SHEET NO.
ct:\pw_work\pwsidot\grantpm\dms34287\d084031typ.dgn	PLOT SCALE = 100.0000 ' / IN.	DRAWN -	REVISED -					80	(81-1) R-1	ROCK ISLAND	292	15
PLOT DATE = Wed Feb 11 15:33:30 2009	DATE -	CHECKED -	REVISED -		SCALE: SHEET NO. OF SHEETS STA. TO STA.			CONTRACT NO. 64933				
		DATE -	REVISED -		FED. ROAD DIST. NO. ILLINOIS FED. AID PROJECT							