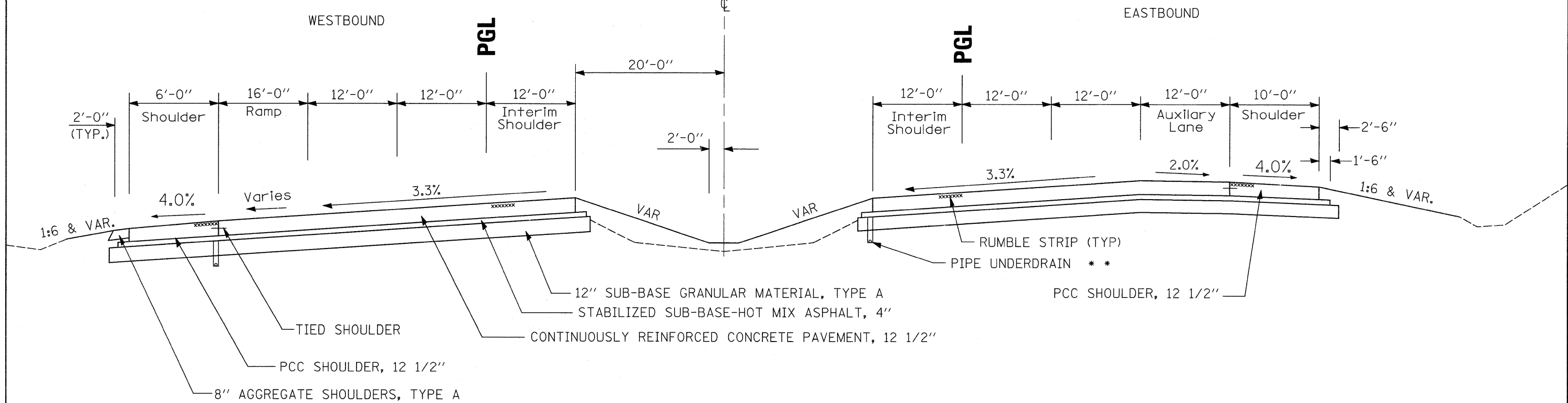


PROPOSED TYPICAL SECTION, W/AUXILIARY LANES

N.T.S.

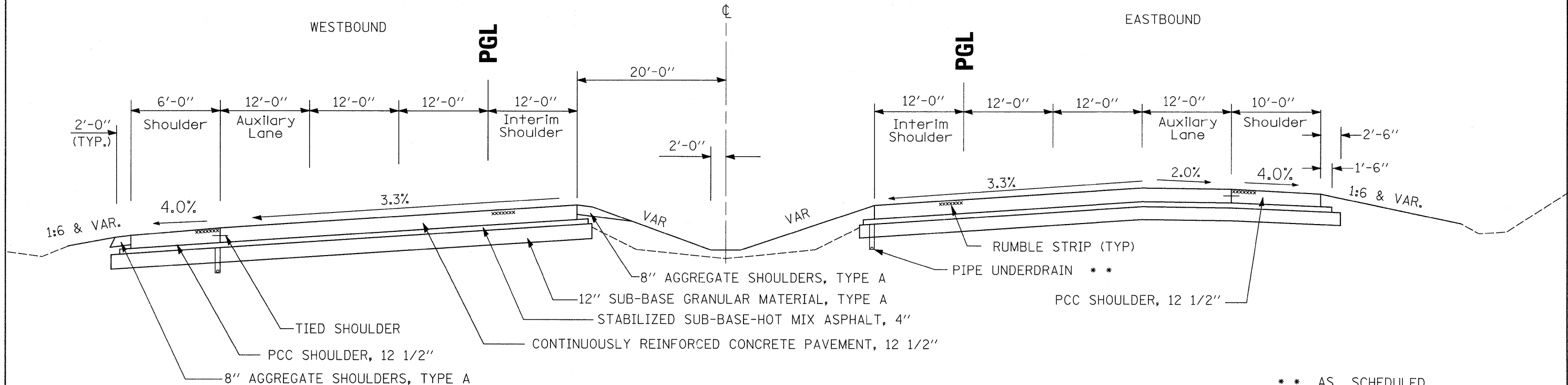
STA 76 + 81 TO STA 79 + 10



PROPOSED TYPICAL SECTION, W/AUXILIARY LANES

N.T.S.

STA 79 + 10 TO STA 85 + 64



\*\* AS SCHEDULED

REVISOR'S MARK: **REVISOR'S MARK** REVISED SHEET 2/23/09

FILE NAME =	USER NAME = grantpm	DESIGNED -	REVISED -	<b>STATE OF ILLINOIS DEPARTMENT OF TRANSPORTATION</b>	<b>TYPICAL SECTIONS</b>				F.A. RTE.	SECTION	COUNTY	TOTAL SHEETS	SHEET NO.
ct:\pwwork\pwwork\grantpm\dms34287\d084031typ.dgn		DRAWN -	REVISED -						80	(81-1) R-1	ROCK ISLAND	292	16
PLOT SCALE = 100.0000' / IN.		CHECKED -	REVISED -						CONTRACT NO. 64933				
PLOT DATE = Wed Feb 11 15:33:30 2009		DATE -	REVISED -						FED. ROAD DIST. NO. [ILLINOIS] FED. AID PROJECT				
				SCALE:	SHEET NO.	OF SHEETS	STA.	TO STA.					