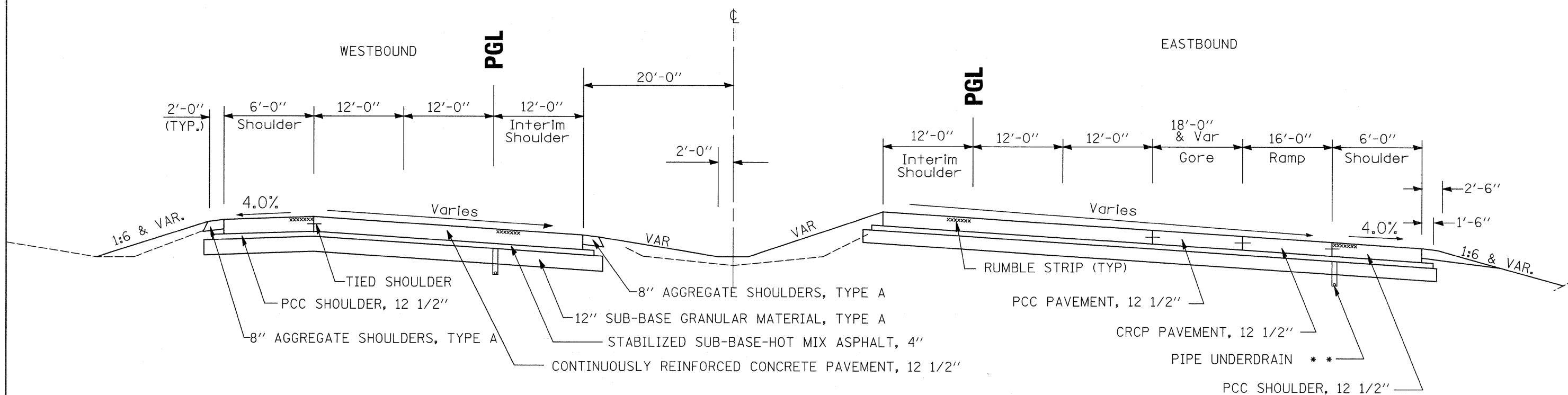


PROPOSED TYPICAL SECTION, SUPERELEVATION

N.T.S.

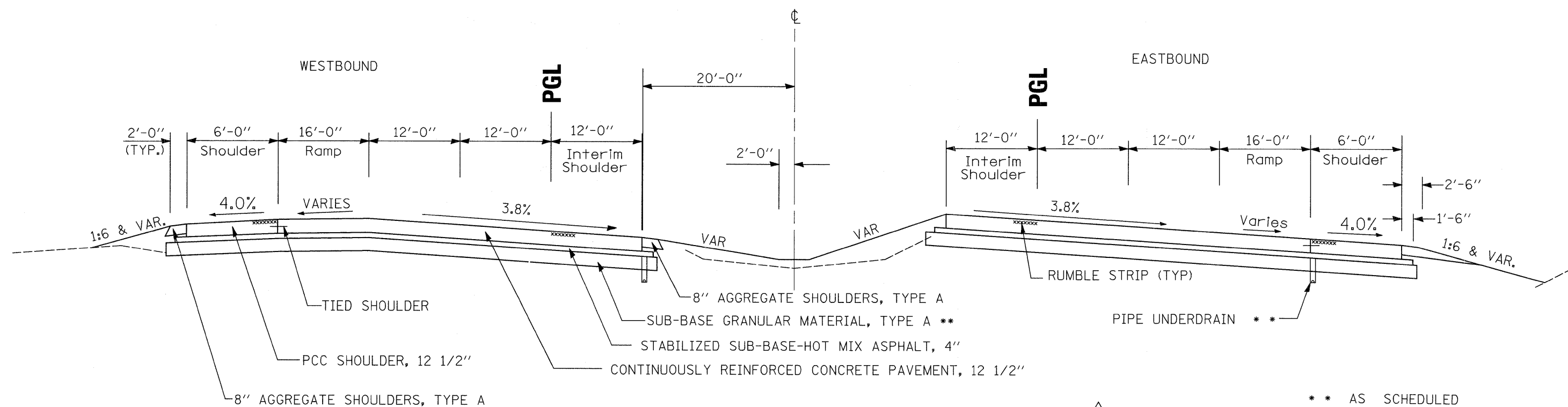
STA 98 + 71 TO STA 102 + 82



PROPOSED TYPICAL SECTION, SUPERELEVATION

N.T.S.

STA 102 + 82 TO STA 110 + 43



\*\* AS SCHEDULED

REVISOR'S MARK: 2/23/09

FILE NAME =	USER NAME = grantpm	DESIGNED -	REVISED -	<b>STATE OF ILLINOIS DEPARTMENT OF TRANSPORTATION</b>	<b>TYPICAL SECTIONS</b>			F.A. RTE.	SECTION	COUNTY	TOTAL SHEETS	SHEET NO.
ci\pw_work\p\p\dot\grantpm\dms34287\d08403typ.dgn	PLOT SCALE = 100.0000' / IN.	DRAWN -	REVISED -					80	(81-1) R-1	ROCK ISLAND	292	18
PLOT DATE = Wed Feb 11 15:33:31 2009	DATE -	CHECKED -	REVISED -		SCALE: SHEET NO. OF SHEETS STA. TO STA.			CONTRACT NO. 64933				
					FED. ROAD DIST. NO. ILLINOIS FED. AID PROJECT							