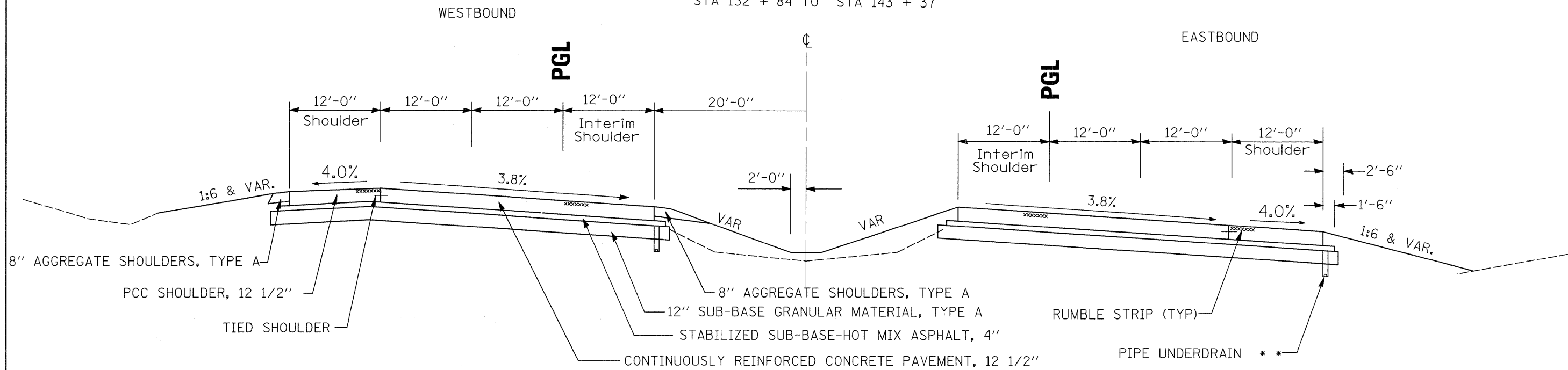


PROPOSED TYPICAL SECTION, SUPERELEVATION

N.T.S.

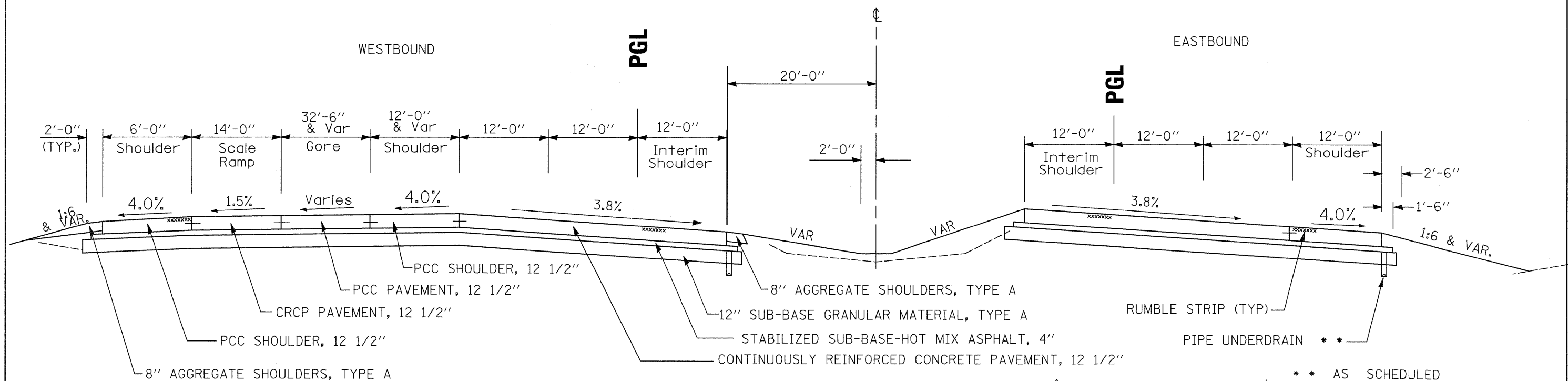
STA 132 + 84 TO STA 143 + 37



PROPOSED TYPICAL SECTION, SUPERELEVATION W/ RAMP

N.T.S.

STA 143 + 37 TO STA 153 + 00



REVISD SHEET 2/23/09

** AS SCHEDULED

FILE NAME =	USER NAME = grantpm	DESIGNED -	REVISED -	STATE OF ILLINOIS DEPARTMENT OF TRANSPORTATION	TYPICAL SECTIONS			F.A. RTE.	SECTION	COUNTY	TOTAL SHEETS	SHEET NO.
ct:\pw_work\pwidot\grantpm\dms34287\d08403typ.dgn	PLOT SCALE = 100.0000' / IN.	DRAWN -	REVISED -					80	(81-1) R-1	ROCK ISLAND	292	20
PLOT DATE = Wed Feb 11 15:33:32 2009	DATE -	CHECKED -	REVISED -		SCALE: SHEET NO. OF SHEETS STA. TO STA.			CONTRACT NO. 64933				
		DATE -	REVISED -		FED. ROAD DIST. NO. ILLINOIS FED. AID PROJECT							