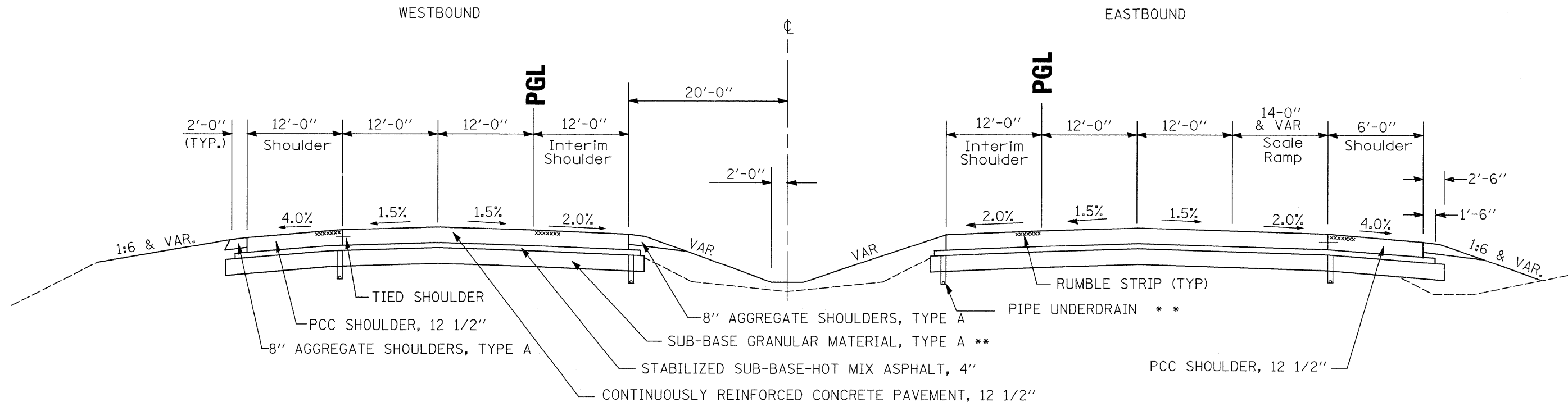


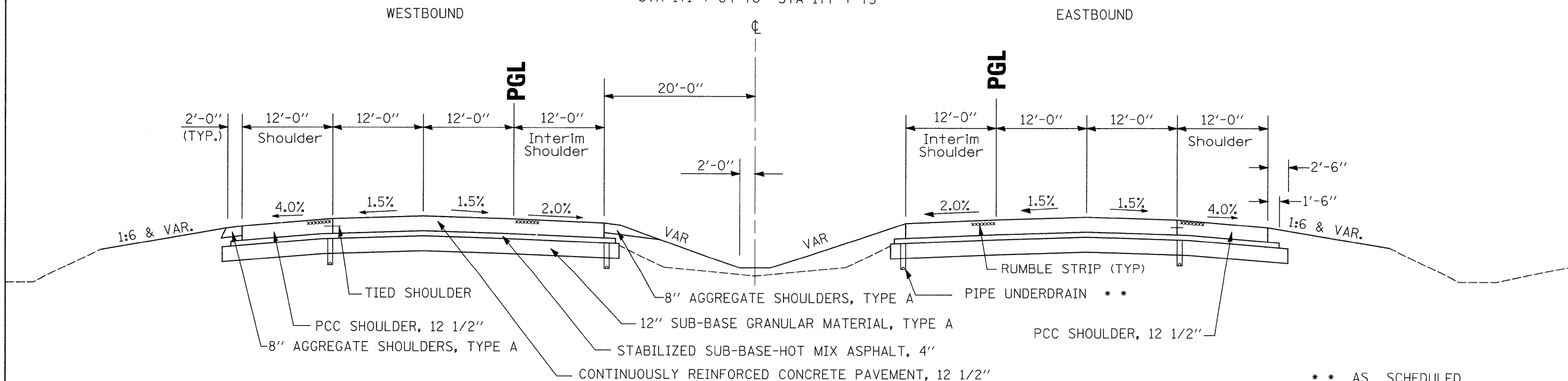
PROPOSED TYPICAL SECTION, NORMAL CROWN

N.T.S.
STA 163 + 34 TO STA 171 + 84



PROPOSED TYPICAL SECTION, NORMAL CROWN

N.T.S.
STA 171 + 84 TO STA 177 + 75



** AS SCHEDULED

REVIS^{ED} SHEET 2/23/09

FILE NAME =	USER NAME = grantpm	DESIGNED -	REVISED -	STATE OF ILLINOIS DEPARTMENT OF TRANSPORTATION	TYPICAL SECTIONS				F.A.I. RTE.	SECTION	COUNTY	TOTAL SHEETS	SHEET NO.	
ct:\pw_work\pwsdot\grantpm\dms34287\d08403typ.dgn		DRAWN -	REVISED -		SCALE:	SHEET NO.	OF SHEETS	STA.	TO STA.	80	(81-1) R-1	ROCK ISLAND	292	22
PLOT SCALE = 100,0000' / IN.		CHECKED -	REVISED -											
PLOT DATE = Wed Feb 11 15:33:32 2009		DATE -	REVISED -											
										CONTRACT NO. 64933				
										FED. ROAD DIST. NO. [ILLINOIS] FED. AID PROJECT				