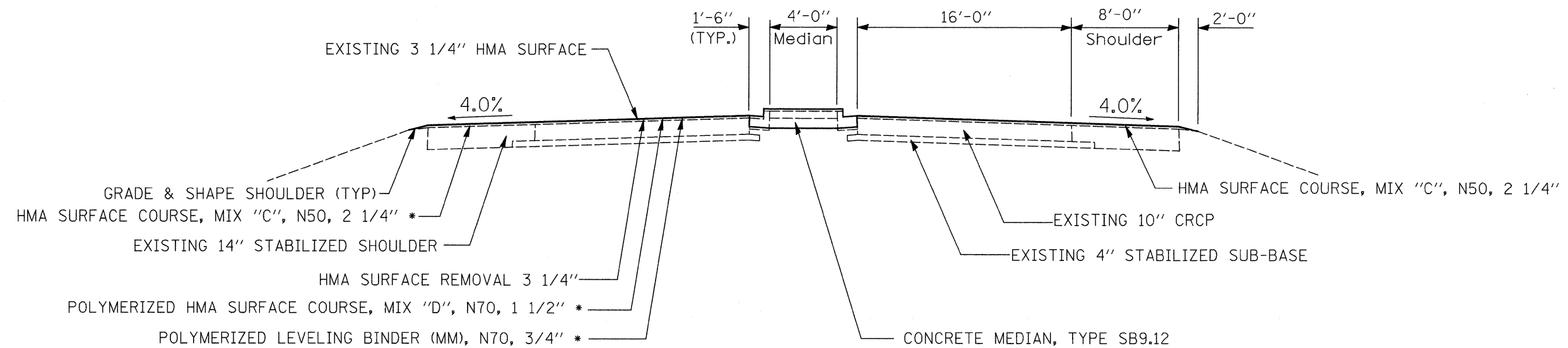
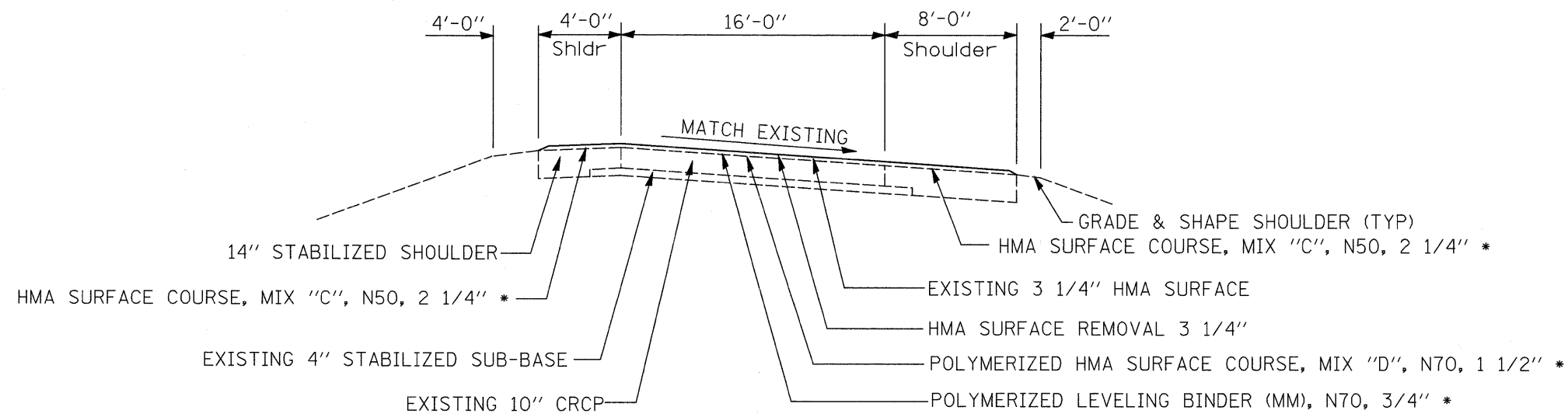


PROPOSED TYPICAL SECTION, IL 84 RAMP C & D

NORMAL SECTION



SUPERELEVATED SECTION



* 112 LBS/SQ. YD-IN/TON

REVIS² SHEET 2/23/09

FILE NAME =	USER NAME = grantpm	DESIGNED -	REVISED -	STATE OF ILLINOIS DEPARTMENT OF TRANSPORTATION	TYPICAL SECTIONS				F.A.I. RTE.	SECTION	COUNTY	TOTAL SHEETS	SHEET NO.	
ct:\pwork\pwork\dot\grantpm\dms34287\d08433.tpdgn		DRAWN -	REVISED -		SCALE:	SHEET NO.	OF SHEETS	STA.	TO STA.	80	(81-1) R-1	ROCK ISLAND	292	25
		CHECKED -	REVISED -		CONTRACT NO. 64933									
		DATE -	REVISED -		FED. ROAD DIST. NO. [ILLINOIS] FED. AID PROJECT									