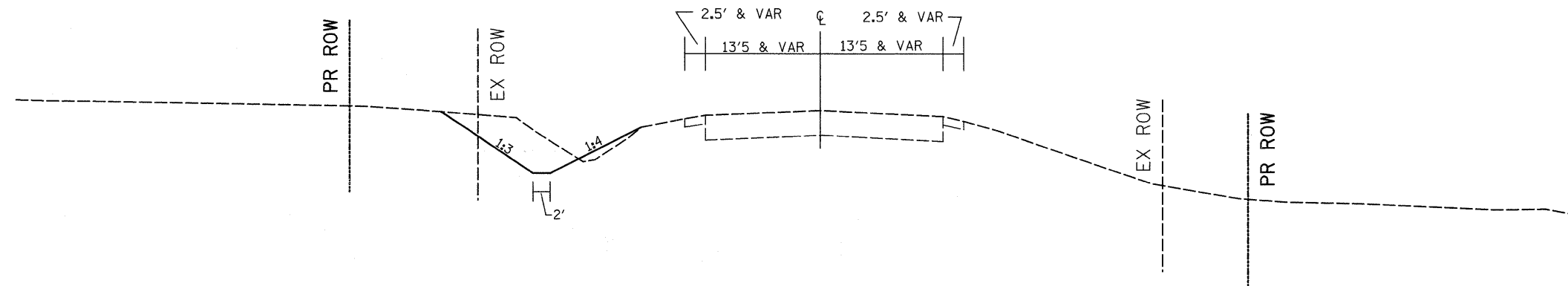
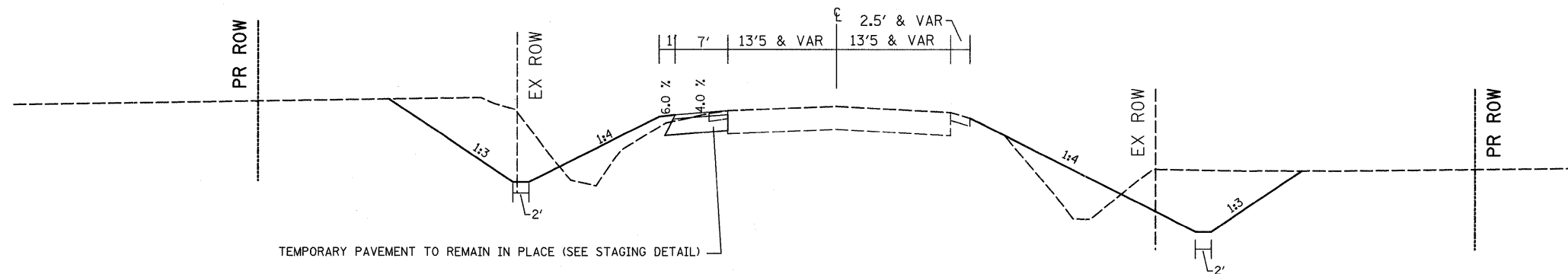


TYPICAL SECTIONS

2471+50 - 2472+00



2472+29.33 - 2475+98.54
EXCLUDING PATCH AREAS



TEMPORARY PAVEMENT TO REMAIN IN PLACE (SEE STAGING DETAIL)

FILE NAME =	USER NAME = fordjd	DESIGNED -	REVISED -	STATE OF ILLINOIS DEPARTMENT OF TRANSPORTATION	IL 251			F.A.S. RTE.	SECTION	COUNTY	TOTAL SHEETS	SHEET NO.			
c:\pwwork\pwwork\fordjd\dms33877\0264607-sht-typcal.dgn		DRAWN -	REVISED -		SCALE:	SHEET NO.	OF	SHEETS	STA.	TO STA.	1177	111T	LASALLE	59	5
PLOT SCALE = 50.0000' / IN.		CHECKED -	REVISED -		CONTRACT NO. 64A07										
PLOT DATE = Wed Dec 24 14:21:45 2008		DATE -	REVISED -		FED. ROAD DIST. NO. ILLINOIS FED. AID PROJECT										