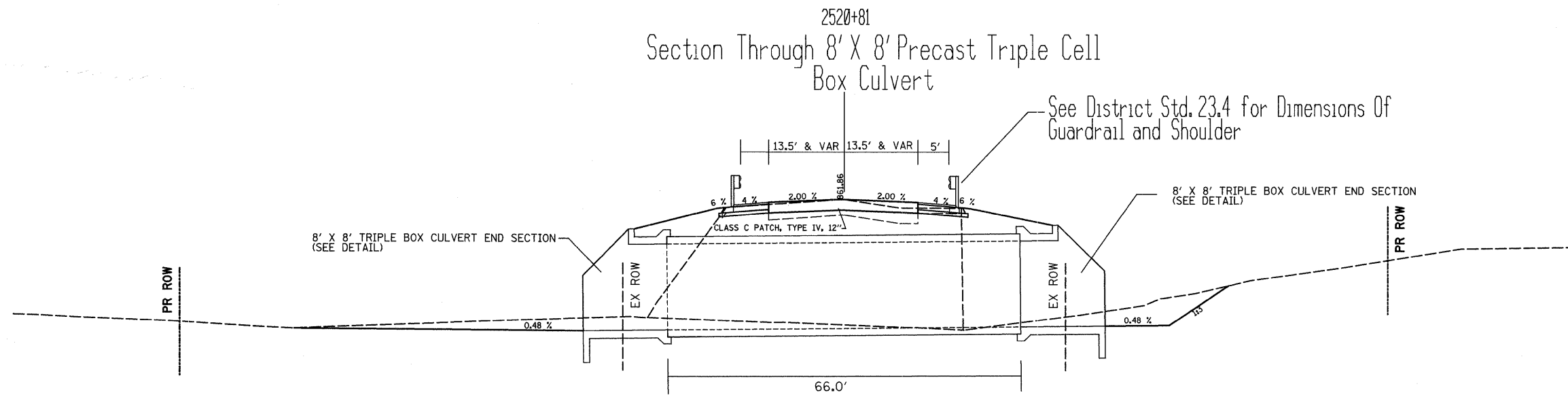
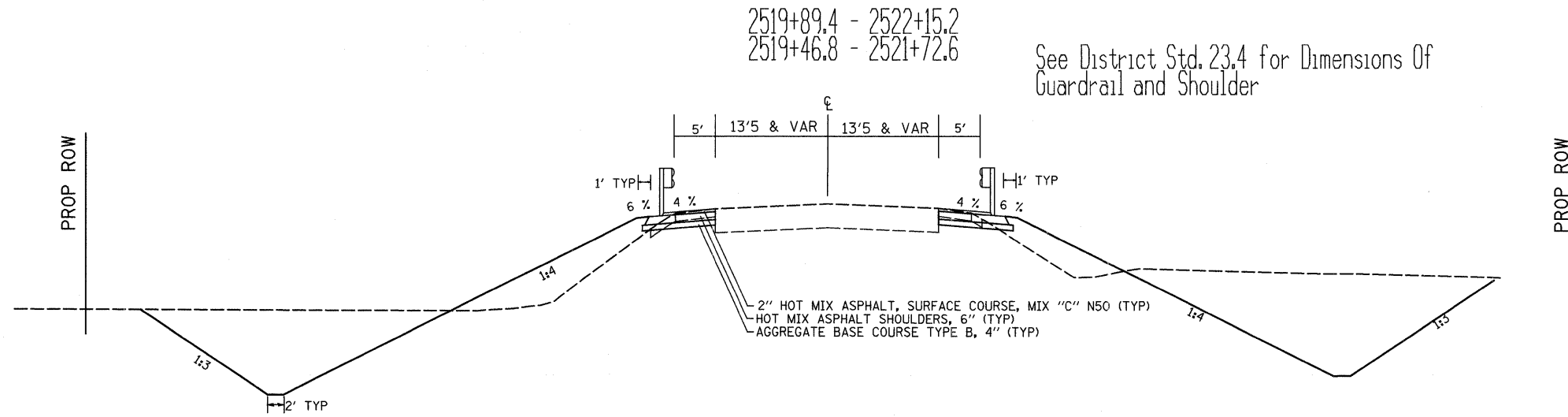


# TYPICAL SECTIONS



N 1797067.8318  
E 258067.7249

HOT MIX ASPHALT, SURFACE COURSE, MIX "C" N50 RATE OF APPLICATION = 112 lb/sq. yd./in.  
HOT MIX ASPHALT SHOULDERS, 6" RATE OF APPLICATION = 112 lb/sq. yd./in.  
ALL TEMPORARY PAVEMENT MARKINGS ARE TYPE III  
LOCATION TO BE DETERMINED FROM THE SCHEDULE OF QUANTITIES

FILE NAME =	USER NAME = fordjd	DESIGNED -	REVISED -	<b>STATE OF ILLINOIS DEPARTMENT OF TRANSPORTATION</b>	<b>IL 251</b>	F.A.S. RTE.	SECTION	COUNTY	TOTAL SHEETS	SHEET NO.	
at:\pw_work\pwsdos\Fordjd\dms33877\0264407-sht-typ001.dgn	PLOT SCALE = 50.0000' / IN.	DRAWN -	REVISED -			1177	111T	LASALLE	59	8	
PLOT DATE = Wed Dec 24 14:21:46 2008	DATE -	CHECKED -	REVISED -			CONTRACT NO. 64A07					
		DATE -	REVISED -			SCALE:	SHEET NO.	OF	SHEETS	STA.	TO STA.