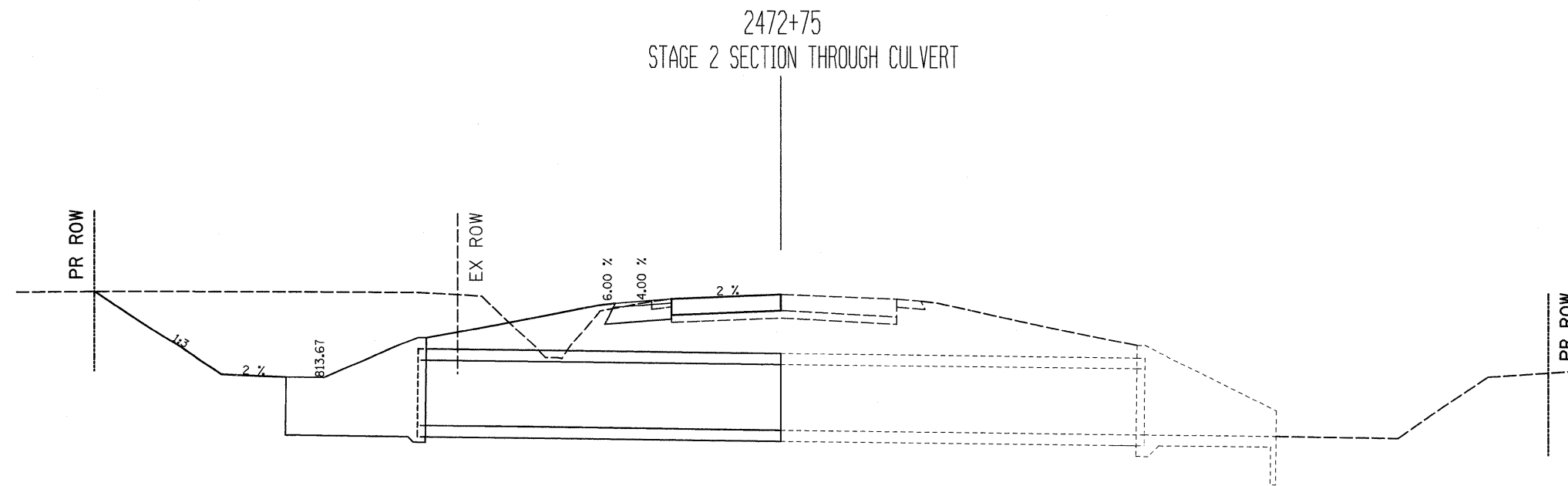
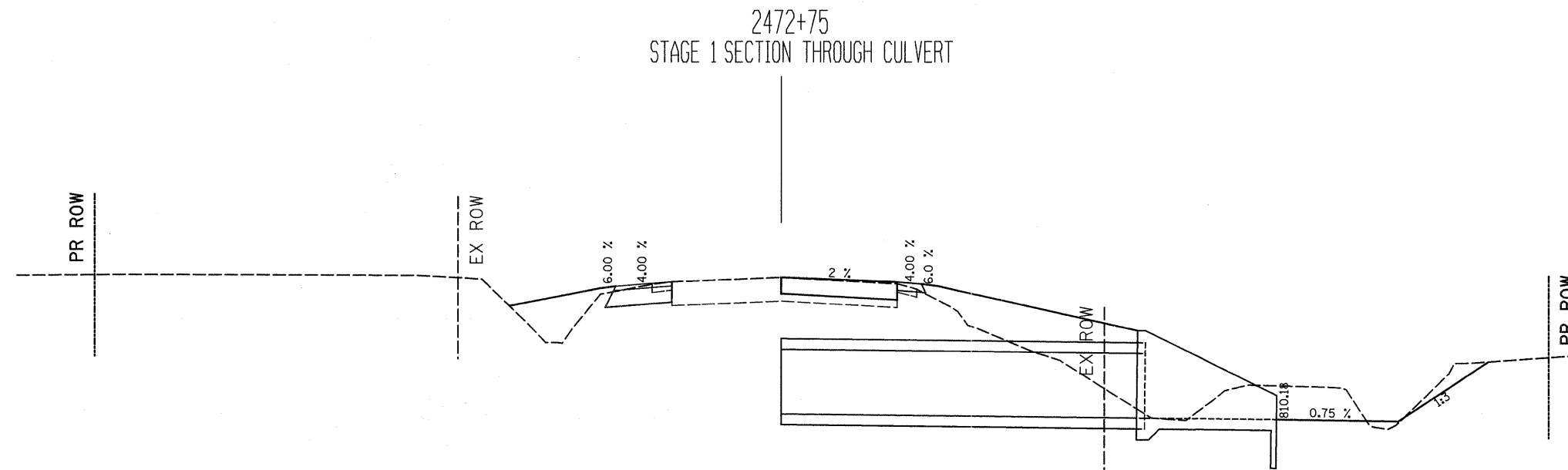


# STAGING TYPICAL SECTIONS



FILE NAME =	USER NAME = fordjd	DESIGNED -	REVISED -	<b>STATE OF ILLINOIS DEPARTMENT OF TRANSPORTATION</b>	<b>IL 251</b>			F.A.S. RTE.	SECTION	COUNTY	TOTAL SHEETS	SHEET NO.			
ct:\pw_work\p\rdot\fordjd\dms33877\0264807-sht-typical.dgn		DRAWN -	REVISED -		SCALE:	SHEET NO.	OF	SHEETS	STA.	TO STA.	1177	111T	LASALLE	59	12
PLOT SCALE = 50.0000' / IN.		CHECKED -	REVISED -		CONTRACT NO. 64A07										
PLOT DATE = Wed Dec 24 14:21:47 2008		DATE -	REVISED -		FED. ROAD DIST. NO. ILLINOIS FED. AID PROJECT										