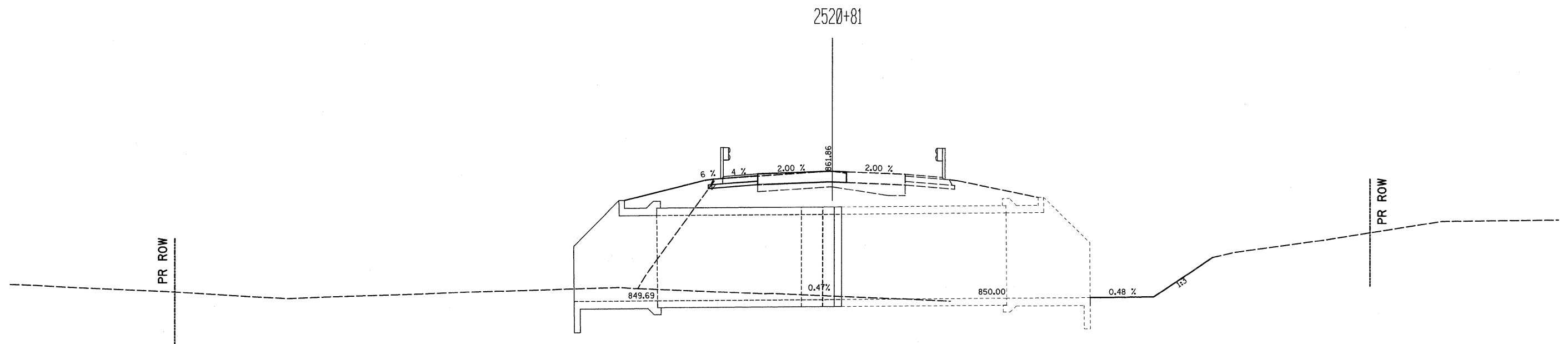
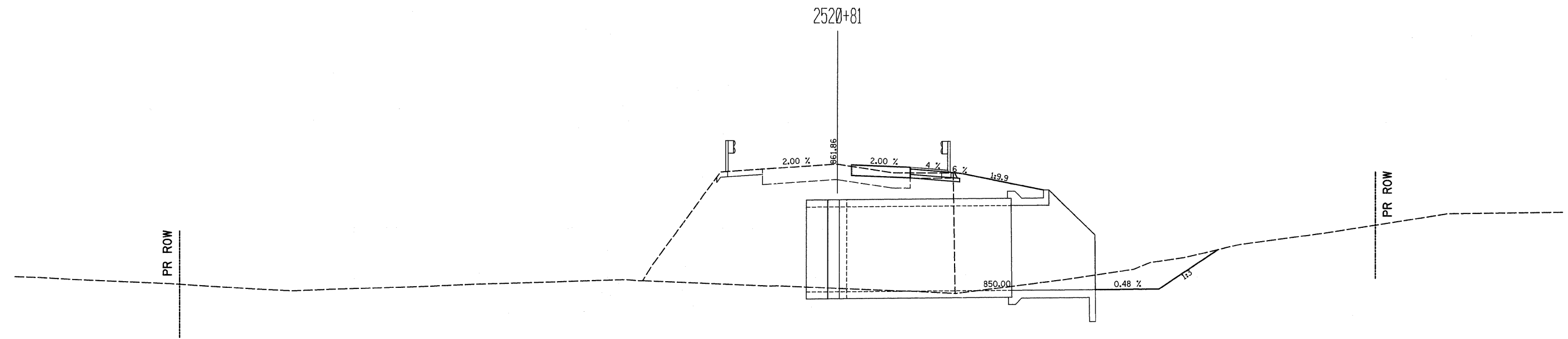


# STAGING TYPICAL SECTIONS



FILE NAME =	USER NAME = ferdjd	DESIGNED -	REVISED -	<b>STATE OF ILLINOIS DEPARTMENT OF TRANSPORTATION</b>	<b>IL 251</b>				F.A.S. RTE.	SECTION	COUNTY	TOTAL SHEETS	SHEET NO.		
ct:\pw_work\pwsdot\Ferdjd\dms33877\026407-ah-typical.dgn	PLOT SCALE = 50.0000' / IN.	DRAWN -	REVISED -		SCALE:	SHEET NO.	OF	SHEETS	STA.	TO STA.	1177	111T	LASALLE	59	13
PLOT DATE = Wed Dec 24 14:21:47 2008	DATE -	CHECKED -	REVISED -						CONTRACT NO. 64A07						
									FED. ROAD DIST. NO. ILLINOIS FED. AID PROJECT						