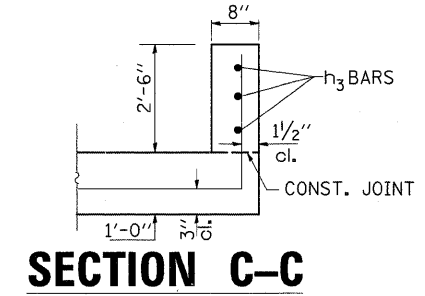
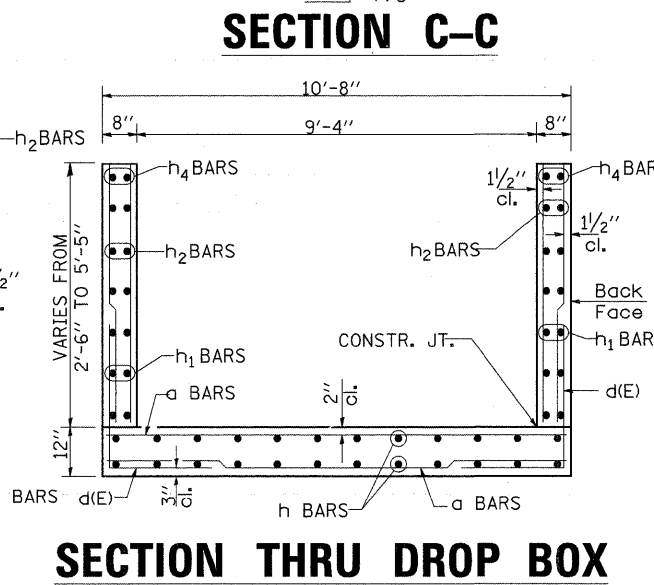
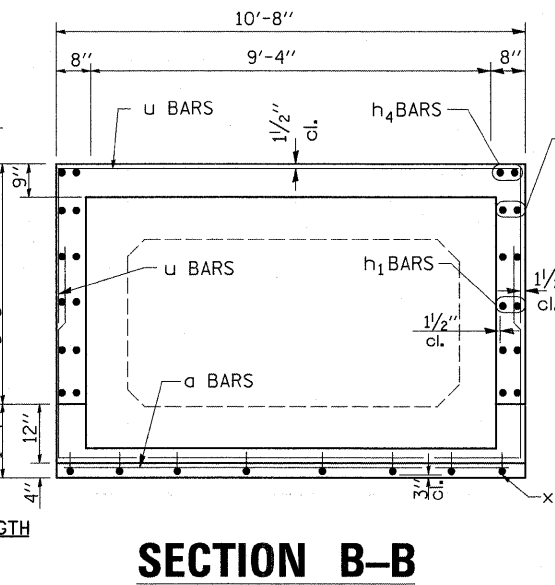
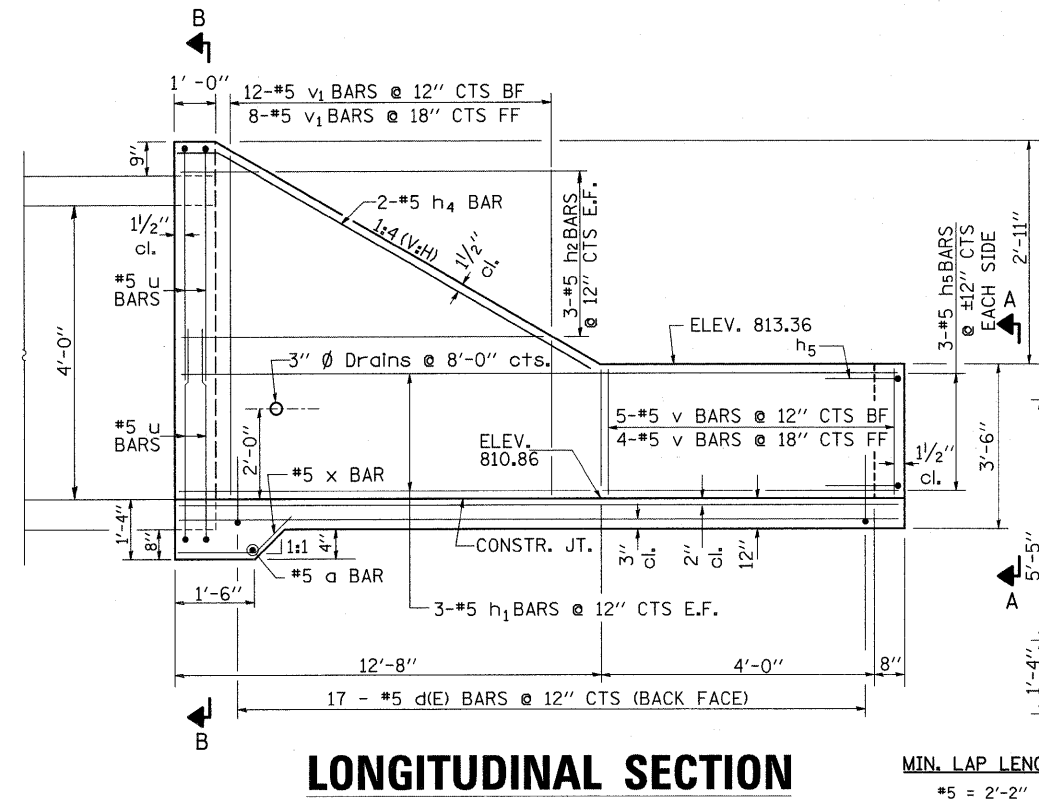
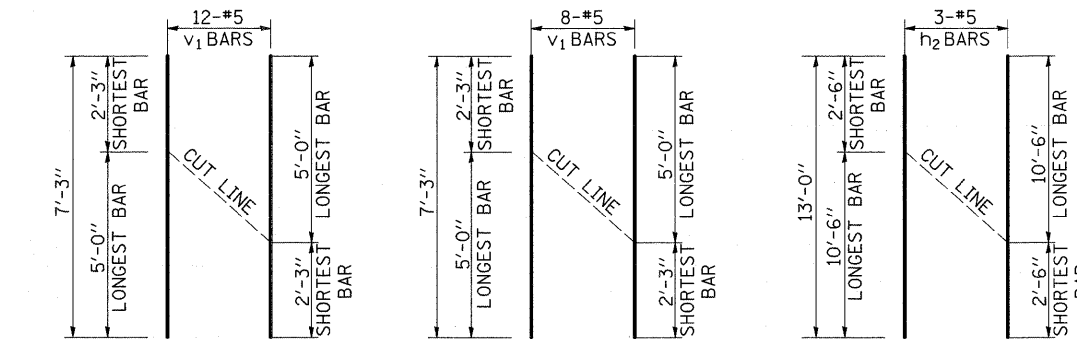
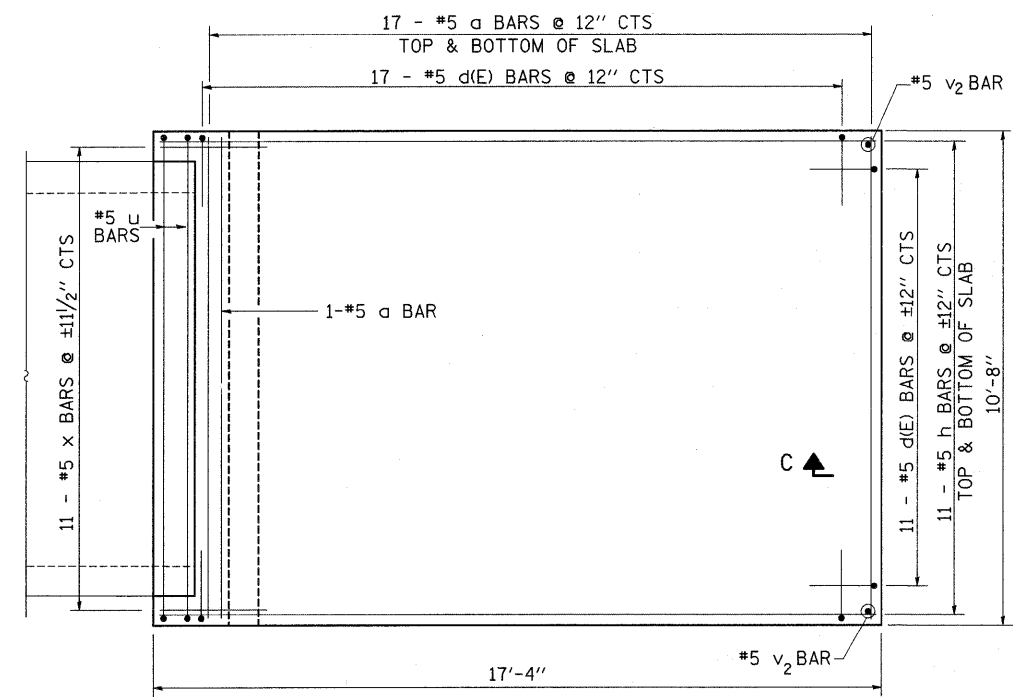


DROP BOX

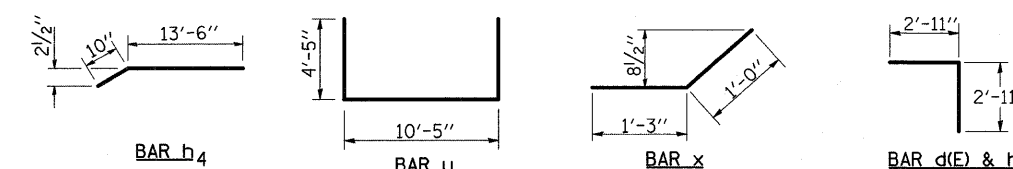
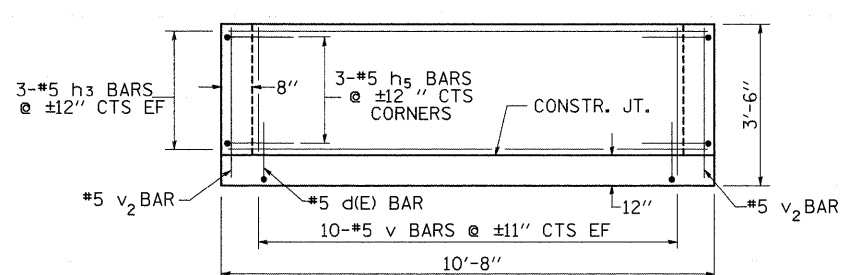
LT STA 2472+75 (IL 251)



BILL OF MATERIALS				
BAR	NO.	SIZE	LENGTH	SHAPE
a	35	5	10'-5"	—
d(E)	45	5	5'-10"	└
h	22	5	16'-1"	—
h1	12	5	17'-1"	—
h2	6	5	13'-0"	—
h3	6	5	10'-5"	—
h4	4	5	14'-4"	└
h5	6	5	5'-10"	└
v	38	5	2'-3"	—
v1	20	5	7'-3"	—
v2	2	5	3'-1"	—
u	4	5	19'-3"	└
x	11	5	2'-3"	└
CONCRETE BOX CULVERTS			CU YD	11.0
REINFORCEMENT BARS			LB	1560
REINFORCEMENT BARS EPOXY COATED			LB	270



ORDER v1 & h2 BARS FULL LENGTH. CUT AS SHOWN AND USE REMAINDER OF BARS IN OPPOSITE WALL.



GENERAL NOTES:

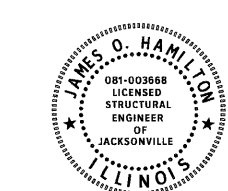
REINFORCEMENT BARS SHALL CONFORM TO THE REQUIREMENTS OF ASTM A706 GRADE 60. SEE SPECIAL PROVISIONS.

SEE PLAN AND PROFILE SHEET FOR MORE INFORMATION. SEE CROSS SECTION SHEET FOR MORE INFORMATION.

THIS WORK SHALL BE DONE ACCORDING TO THE APPLICABLE PORTION OF 503, 508, 540, AND 542 OF THE STANDARD SPECIFICATIONS. EXPOSED EDGES SHALL BE BEVELED 3/4".

THE COST OF EARTH EXCAVATION, WHERE REQUIRED, AND NECESSARY GRADING TO FIT THE INLET AS SHOWN IN THE CROSS SECTIONS OR TO THE SLOPE IS INCLUDED IN COST OF "DROP BOX No. 1." REINFORCEMENT BARS DESIGNATED (E) SHALL BE EPOXY COATED.

QUANTITIES SHOWN FOR INFORMATION ONLY. COST OF REINFORCEMENT AND CONCRETE INCLUDED WITH DROP BOX NO. 1.



FILE NAME =	USER NAME = fordjd	DESIGNED -	REVISED -	STATE OF ILLINOIS DEPARTMENT OF TRANSPORTATION	DROP BOX DETAIL, SN 050-1004	F.A. RTE.	SECTION	COUNTY	TOTAL SHEETS	SHEET NO.	
c:\pw\work\VPWIDOT\FORDJD\dms33877.D264	07oulvrt-details.dgn	DRAWN -	REVISED -			1177	111T	LASALLE	59	28	
PLOT SCALE = 53.1746' / IN.		CHECKED -	REVISED -			CONTRACT NO.					
PLOT DATE = Wed Dec 24 14:24:07 2008		DATE -	REVISED -			FED. ROAD DIST. NO. ILLINOIS FED. AID PROJECT					