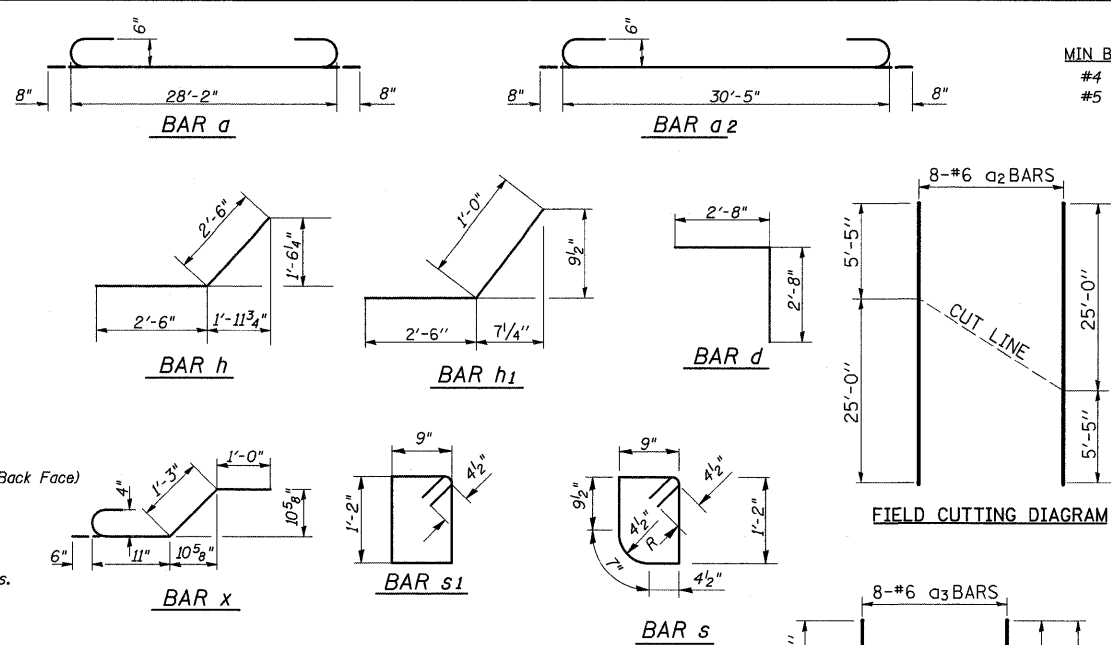


LONG SECTION



FIELD CUTTING DIAGRAM

MIN BAR LAPS
 #4 = 1'-8"
 #5 = 2'-2"

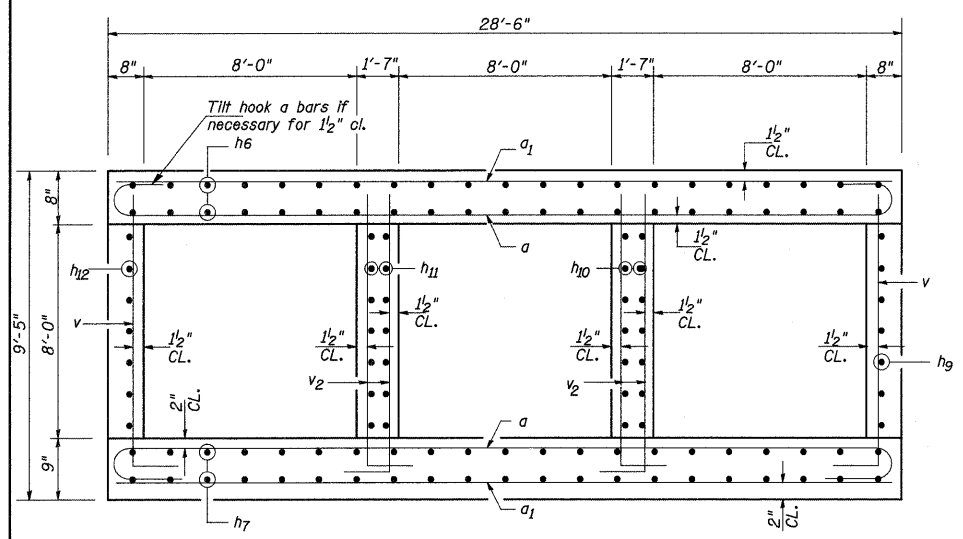
GENERAL NOTES:

REINFORCEMENT BARS SHALL CONFORM TO THE REQUIREMENTS OF ASTM A706 GRADE 60. SEE SPECIAL PROVISIONS.
 SEE PLAN AND PROFILE SHEET FOR MORE INFORMATION.
 SEE CROSS SECTION SHEET FOR MORE INFORMATION.
 THIS WORK SHALL BE DONE ACCORDING TO THE APPLICABLE PORTION OF 503, 508 AND 540 OF THE STANDARD SPECIFICATIONS.
 EXPOSED EDGES SHALL BE BEVELED 3/4".
 THE COST OF EARTH EXCAVATION, WHERE REQUIRED, AND NECESSARY GRADING TO FIT THE INLET AS SHOWN IN THE CROSS SECTIONS OR TO THE SLOPE IS INCLUDED IN COST OF "CONCRETE BOX CULVERTS."
 REINFORCEMENT BARS DESIGNATED (E) SHALL BE EPOXY COATED.

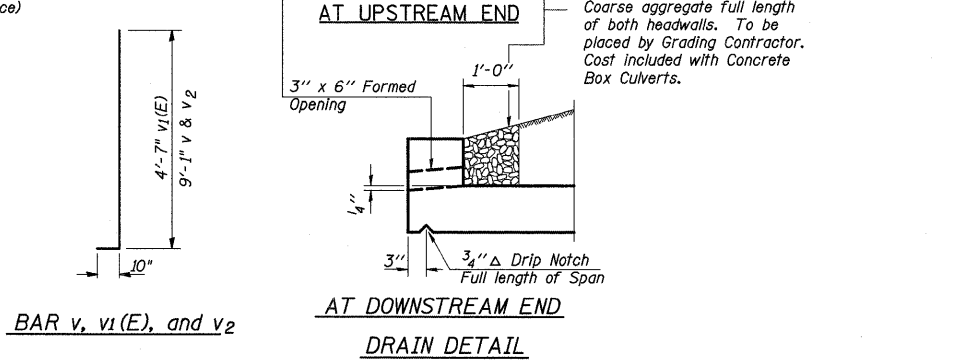
BILL OF MATERIAL

BAR	NO.	SIZE	LENGTH	SHAPE
a	16	#6	29'-6"	[hook]
a1	16	#6	28'-2"	[hook]
a2	16	#6	31'-9"	[hook]
a3	16	#6	30'-5"	[hook]
b	32	#4	23'-9"	[hook]
d	62	#4	5'-4"	[hook]
h	20	#5	5'-0"	[hook]
h1	20	#5	3'-6"	[hook]
h2	20	#5	13'-6"	[hook]
h3	20	#5	10'-0"	[hook]
h4	4	#6	27'-10"	[hook]
h5	4	#5	28'-10"	[hook]
h6	56	#5	13'-1"	[hook]
h7	56	#5	30'-1"	[hook]
h8	24	#5	7'-6"	[hook]
h9	16	#5	10'-2"	[hook]
h10	32	#4	7'-8"	[hook]
h11	32	#4	5'-1"	[hook]
h12	16	#5	2'-11"	[hook]
s	29	#4	4'-5"	[hook]
s1	29	#4	4'-7"	[hook]
v	28	#5	9'-11"	[hook]
v1(E)	66	#5	5'-5"	[hook]
v2	56	#4	9'-11"	[hook]
v3	66	#4	7'-6"	[hook]
u	8	#4	17'-0"	[hook]
u1	8	#4	26'-3"	[hook]
x	156	#4	3'-8"	[hook]
CONCRETE BOX CULVERTS			CU YD	78.2
REINFORCEMENT BARS EPOXY COATED			POUND	370
REINFORCEMENT BARS			POUND	9600

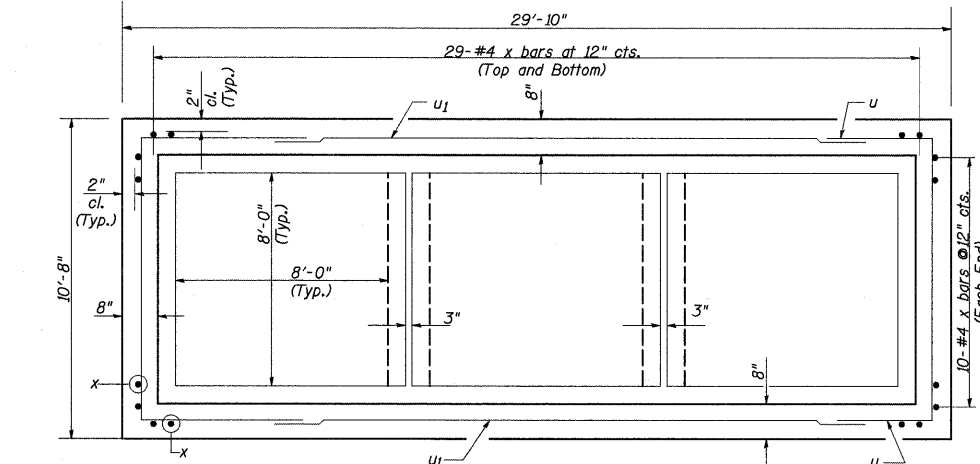
* BILL OF MATERIALS IS FOR ONE END SECTION



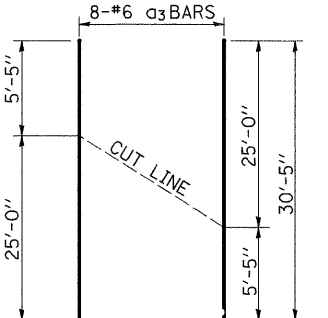
SECTION THRU BARREL (Cast-in-Place)



DRAIN DETAIL

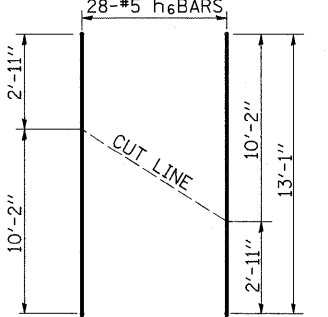


SECTION A-A

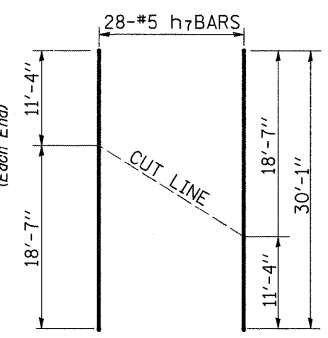


FIELD CUTTING DIAGRAM

ORDER a2, a3, h6, & h7 BARS FULL LENGTH. CUT AS SHOWN AND USE REMAINDER OF BARS IN OPPOSITE END SECTION.



FIELD CUTTING DIAGRAM



FIELD CUTTING DIAGRAM

FILE NAME =	USER NAME = FordJd	DESIGNED JOH	REVISED -
ct:\pw\work\PIWID\FORDJD\dms33877\0264	07culvertdetails.dgn	DRAWN TRD	REVISED -
	PLOT SCALE = 53.1746' / IN.	CHECKED BAN	REVISED -
	PLOT DATE = Wed Dec 24 14:24:08 2008	DATE -	REVISED -

STATE OF ILLINOIS
 DEPARTMENT OF TRANSPORTATION

TRIPLE BOX CULVERT DETAILS

SCALE: SHEET NO. 2 OF 2 SHEETS STA. TO STA.

F.A.S. RTE.	SECTION	COUNTY	TOTAL SHEETS	SHEET NO.
1177	111T	LASALLE	59	31
FED. ROAD DIST. NO. ILLINOIS FED. AID PROJECT			CONTRACT NO. 64A07	