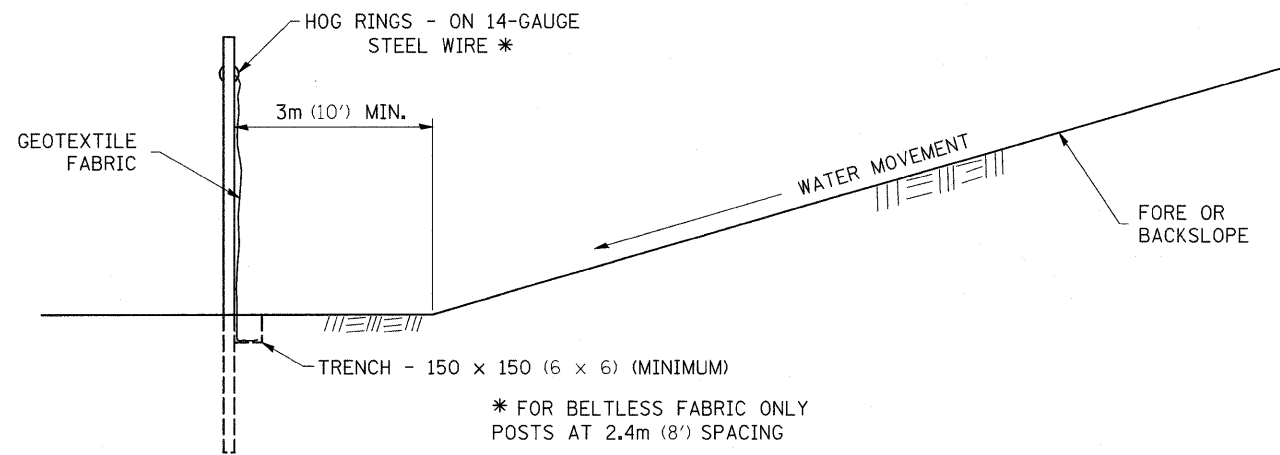
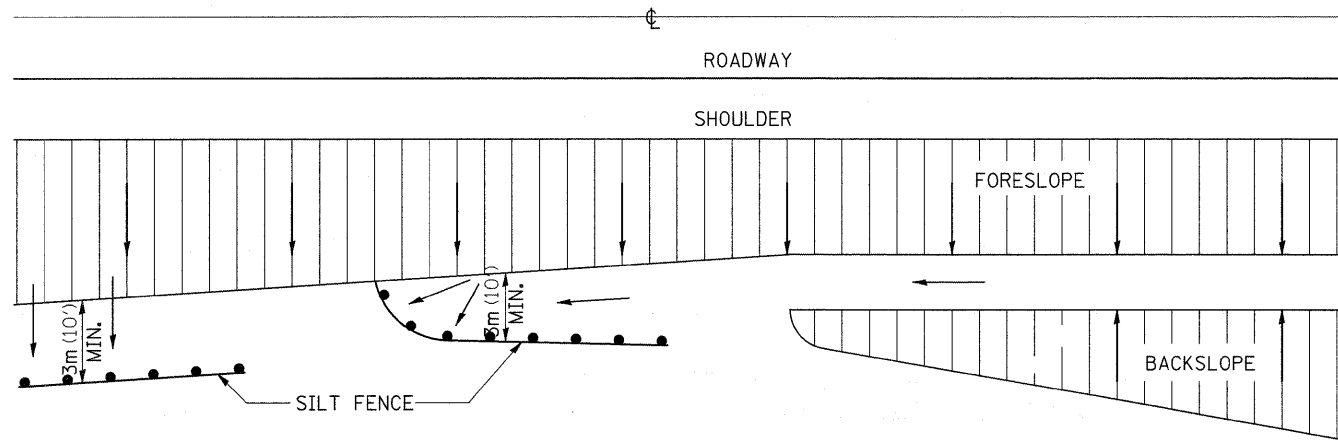


EROSION CONTROL DETAILS FOR SILT FENCE

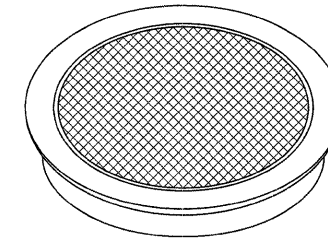


DETAILS OF SILT FENCE

ALL DIMENSIONS ARE IN MILLIMETERS (INCHES) UNLESS OTHERWISE NOTED.

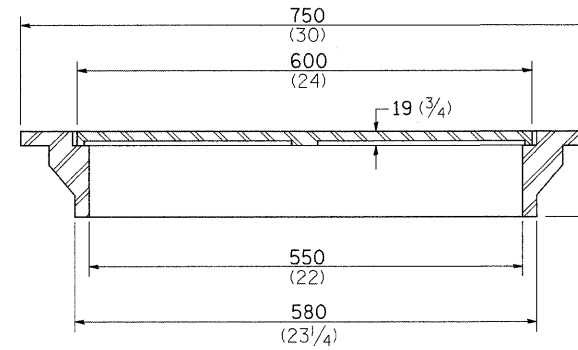
REVISED - 10-22-01

FIELD TILE JUNCTION VAULTS 600 (24) AND 900 (36) DIA.

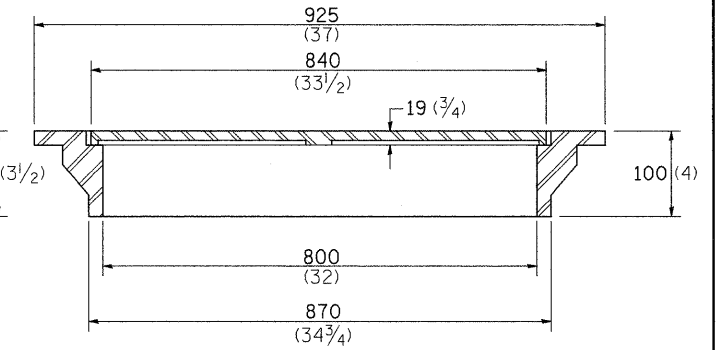


FRAME & LID FOR 600 (24) VAULT

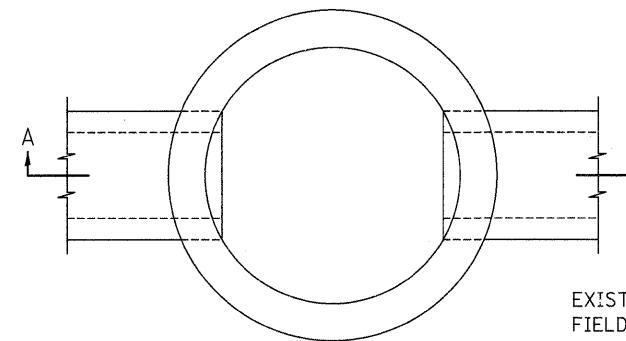
FRAME & LID FOR 900 (36) VAULT



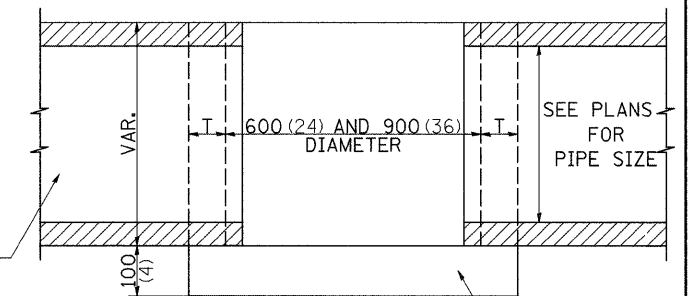
TOTAL WEIGHT: 66 Kg (146 lbs)



TOTAL WEIGHT: 127 Kg (280 lbs)



PLAN

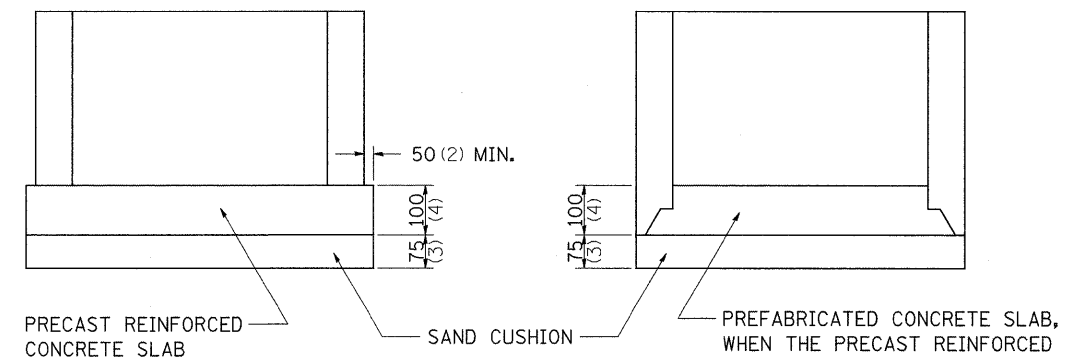


CAST-IN-PLACE CONCRETE SECTION A-A

ALTERNATE MATERIALS FOR WALLS	T
BRICK MASONRY	200 (8)
CAST-IN-PLACE CONCRETE	150 (6)
CONCRETE MASONRY UNIT	125 (5)
PRECAST REINFORCED CONCRETE SECTION	75 (3)

NOTE: THE FRAME AND LID IS REQUIRED ON ALL JUNCTION VAULTS.

ALL DIMENSIONS ARE IN MILLIMETERS (INCHES) UNLESS OTHERWISE NOTED.



ALTERNATE METHODS

REVISED - 5-03-94	REGION 2 / DISTRICT 2 STANDARD				F.A.S. RTE.	SECTION	COUNTY	TOTAL SHEETS	SHEET NO.	
REVISED -	SCALE: 50.0000 / IN	SHEET NO.	OF SHEETS	STA.	TO STA.	1177	111T	LASALLE	59	42
REVISED -	FED. ROAD DIST. NO. ILLINOIS FED. AID PROJECT								CONTRACT NO. 64A07	
REVISED -										