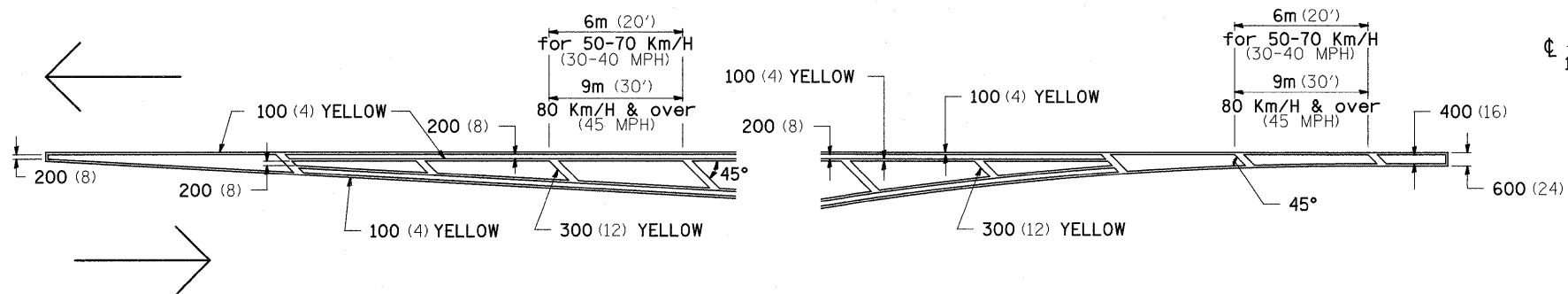
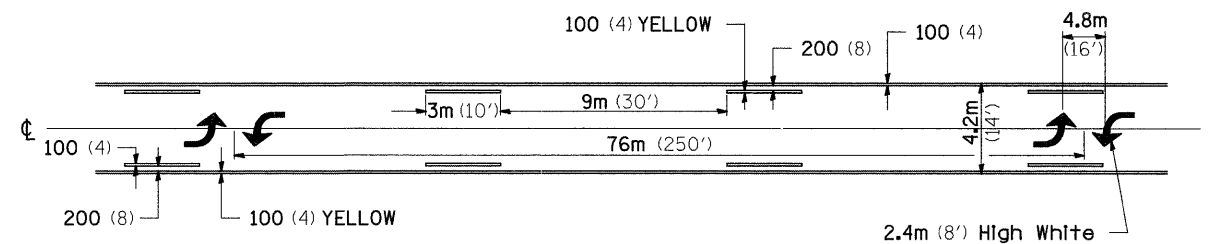


TYPICAL PAVEMENT MARKINGS

TYPICAL PAVEMENT MARKING FOR FLUSH MEDIAN AT LEFT TURN LANE

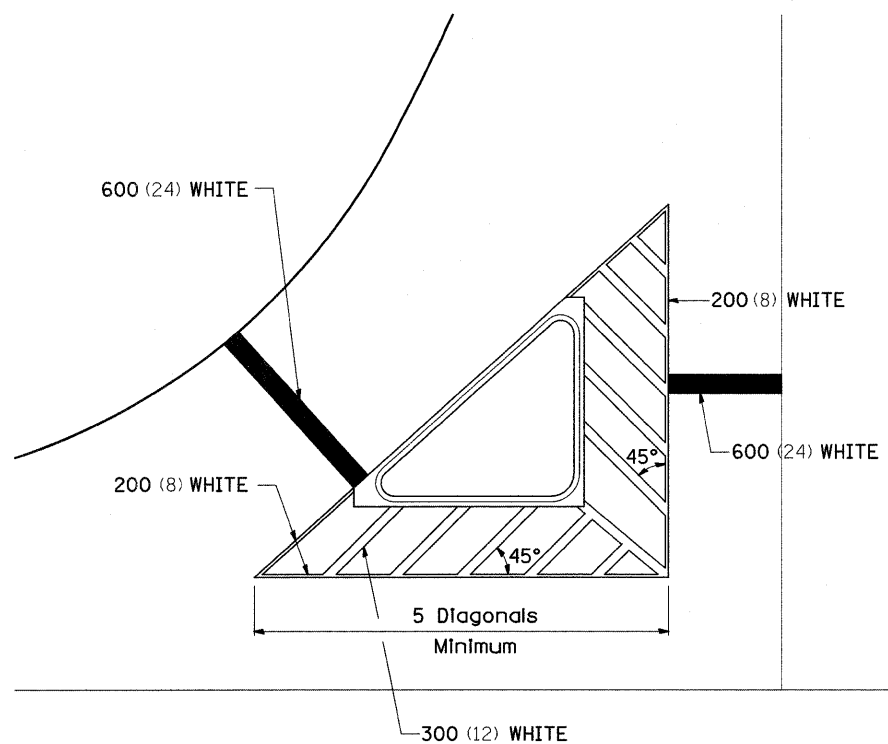


MEDIAN PAVEMENT MARKING

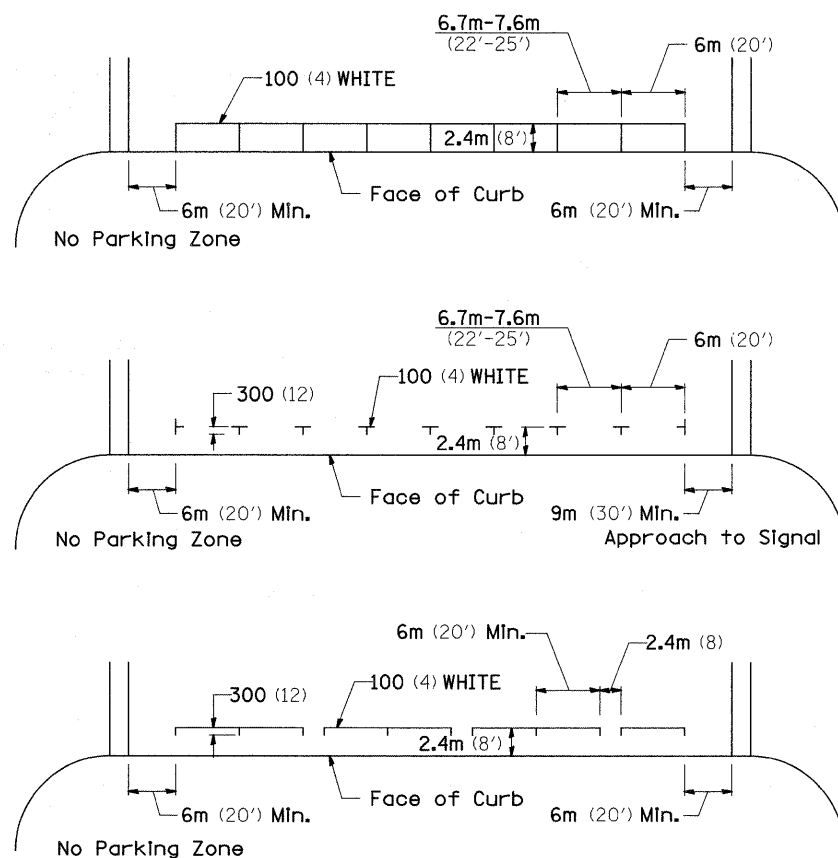


•• ALL DIMENSIONS ARE IN MILLIMETERS (INCHES) UNLESS OTHERWISE NOTED.

TYPICAL ISLAND OFFSET SHOULDER WIDTH

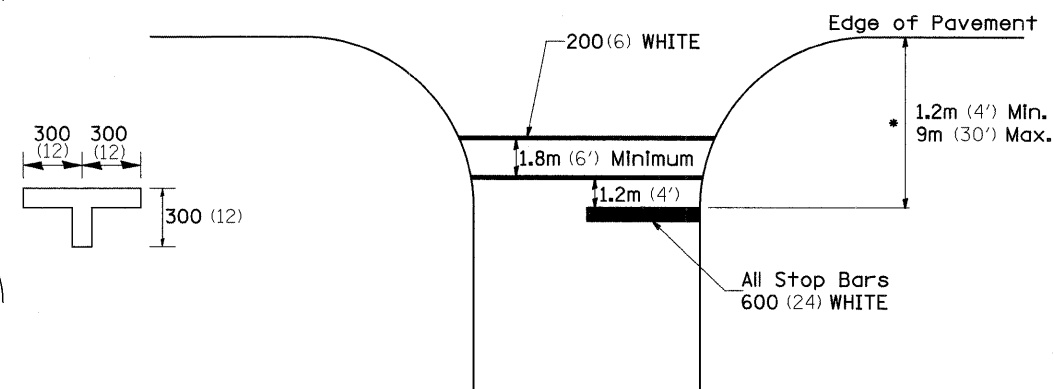


TYPICAL PARKING SPACING



STANDARD CROSSWALK MARKING

See Schedules for Locations



* Distance to the nearest edge of the intersecting roadway in the absence of a marked crosswalk.

FILE NAME =	USER NAME = fordjd	DESIGNED -	REVISED - 10-21-08	STATE OF ILLINOIS DEPARTMENT OF TRANSPORTATION	REGION 2 / DISTRICT 2 STANDARD	F.A.S. RTE.	SECTION	COUNTY	TOTAL SHEETS	SHEET NO.	
ci:\pw_work\NPWIDOT\FORDJD\dms33877\026407-shs-details.dgn	PLOT SCALE = 50,0000 ' / IN.	DRAWN -	REVISED -			1177	111T	LASALLE	59	45	
PLOT DATE = Wed Dec 24 14:22:45 2008	DATE -	CHECKED -	REVISED -			CONTRACT NO. 64A07					
						FED. ROAD DIST. NO. ILLINOIS FED. AID PROJECT					