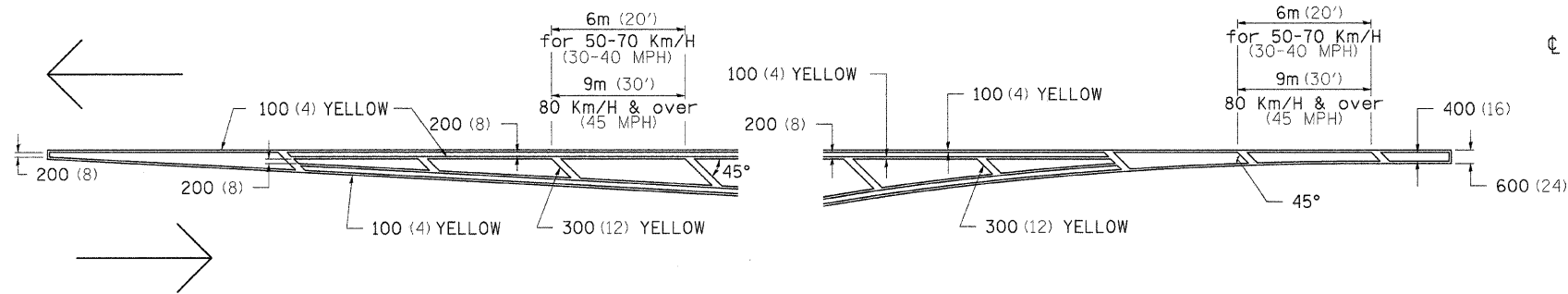
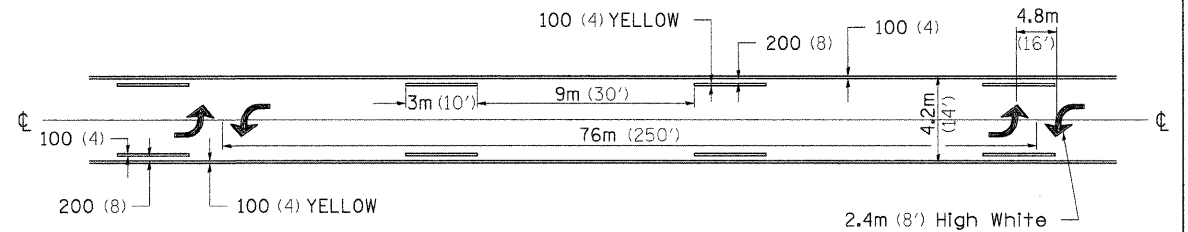


TYPICAL PAVEMENT MARKINGS

TYPICAL PAVEMENT MARKING FOR FLUSH MEDIAN AT LEFT TURN LANE

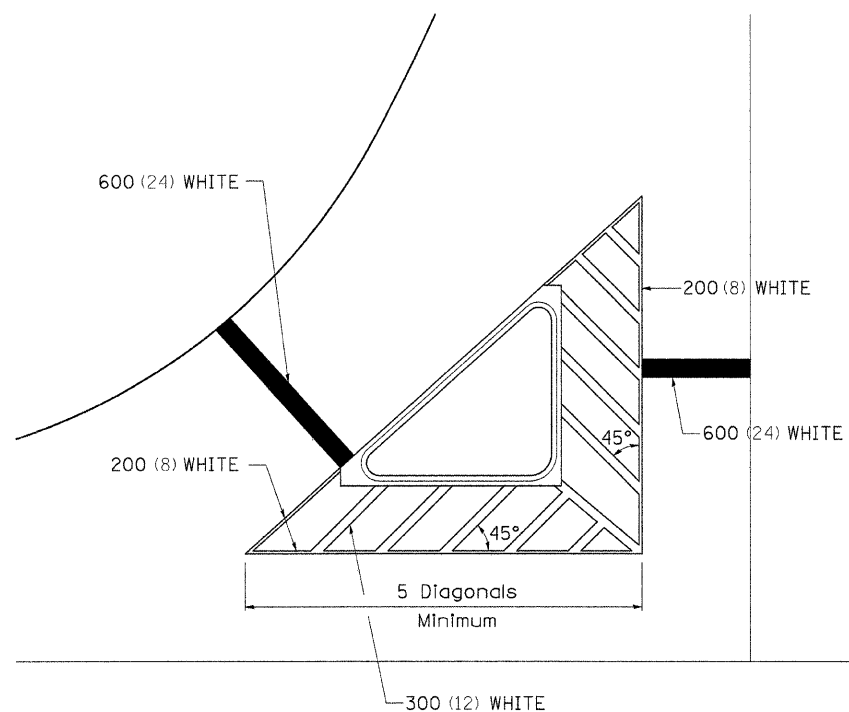


MEDIAN PAVEMENT MARKING

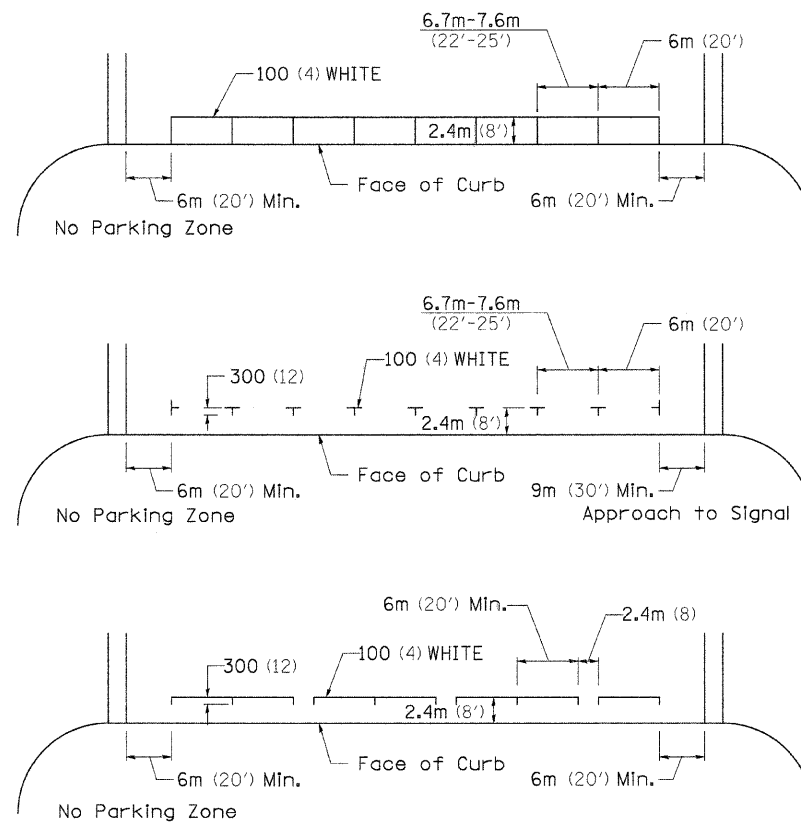


** ALL DIMENSIONS ARE IN MILLIMETERS (INCHES) UNLESS OTHERWISE NOTED.

TYPICAL ISLAND OFFSET SHOULDER WIDTH

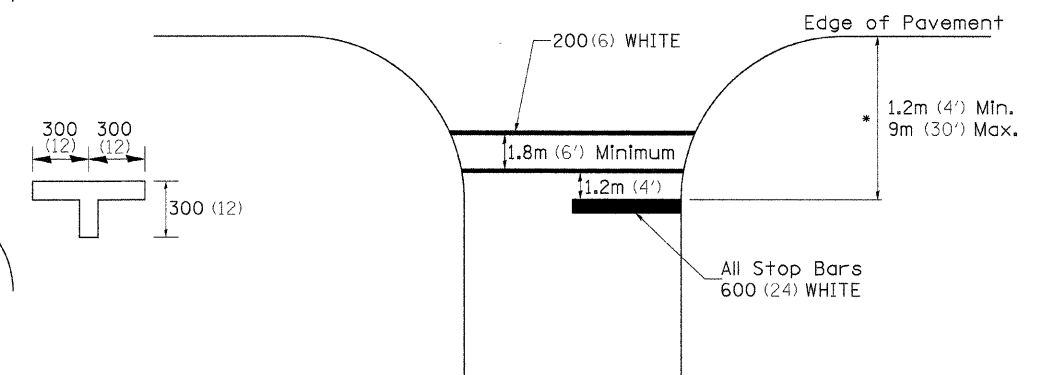


TYPICAL PARKING SPACING



STANDARD CROSSWALK MARKING

See Schedules for Locations



* Distance to the nearest edge of the intersecting roadway in the absence of a marked crosswalk.

FILE NAME = ...N16-23_district_standards.dgn	USER NAME = Plotted by new2	DESIGNED - ----	REVISED - 10-21-08	STATE OF ILLINOIS DEPARTMENT OF TRANSPORTATION	REGION 2 / DISTRICT 2 STANDARD	F.A. RTE. 308	SECTION (103C-1BR1D)	COUNTY JO DAVIESS	TOTAL SHEETS 62	SHEET NO. 21		
PLOT SCALE = 50.0000' / IN.	CHECKED - ----	REVISOR - ----	REVISOR - ----			SCALE: NTS	SHEET NO. ___ OF ___ SHEETS	STA. _____ TO STA. _____	CONTRACT NO. 64C03			
PLOT DATE = 12/10/2008	DATE - ----	REVISOR - ----	REVISOR - ----			FED. ROAD DIST. NO. _ ILLINOIS FED. AID PROJECT						
TYPICAL PAVEMENT MARKINGS SHEET 1 OF 3												
41.1												